

WHELEN[®]

ENGINEERING COMPANY INC.

51 Winthrop Road
Chester, Connecticut 06412-0684
Phone: (860) 526-9504
Fax: (860) 526-4078
Internet: www.whelen.com
Sales e-mail: autosale@whelen.com
Canadian Sales e-mail: autocan@whelen.com
Customer Service e-mail: custserv@whelen.com

Installation Guide:
Dash-Miser™ Strobe
Models: DM1SL / DM2SL / DM3SL / DM4SL

Safety First

This document provides all the necessary information to allow your Whelen product to be properly and safely installed. Before beginning the installation and/or operation of your new product, the installation technician and operator must read this manual completely. Important information is contained herein that could prevent serious injury or damage.

- **Proper installation of this product requires the installer to have a good understanding of automotive electronics, systems and procedures.**
- **If mounting this product requires drilling holes, the installer MUST be sure that no vehicle components or other vital parts could be damaged by the drilling process. Check both sides of the mounting surface before drilling begins. Also de-burr the holes and remove any metal shards or remnants. Install grommets into all wire passage holes.**
- **If this manual states that this product may be mounted with suction cups, magnets, tape or Velcro®, clean the mounting surface with a 50/50 mix of isopropyl alcohol and water and dry thoroughly.**
- **Do not install this product or route any wires in the deployment area of your air bag. Equipment mounted or located in the air bag deployment area will damage or reduce the effectiveness of the air bag, or become a projectile that could cause serious personal injury or death. Refer to your vehicle owner's manual for the air bag deployment area. The User/Installer assumes full responsibility to determine proper mounting location, based on providing ultimate safety to all passengers inside the vehicle.**
- **For this product to operate at optimum efficiency, a good electrical connection to chassis ground must be made. The recommended procedure requires the product ground wire to be connected directly to the NEGATIVE (-) battery post (this does not include products that use cigar power cords).**
- **If this product uses a remote device for activation or control, make sure that this device is located in an area that allows both the vehicle and the device to be operated safely in any driving condition.**
- **Do not attempt to activate or control this device in a hazardous driving situation.**
- **This product contains either strobe light(s), halogen light(s), high-intensity LEDs or a combination of these lights. Do not stare directly into these lights. Momentary blindness and/or eye damage could result.**
- **Use only soap and water to clean the outer lens. Use of other chemicals could result in premature lens cracking (crazing) and discoloration. Lenses in this condition have significantly reduced effectiveness and should be replaced immediately. Inspect and operate this product regularly to confirm its proper operation and mounting condition. Do not use a pressure washer to clean this product.**
- **It is recommended that these instructions be stored in a safe place and referred to when performing maintenance and/or reinstallation of this product.**
- **FAILURE TO FOLLOW THESE SAFETY PRECAUTIONS AND INSTRUCTIONS COULD RESULT IN DAMAGE TO THE PRODUCT OR VEHICLE AND/OR SERIOUS INJURY TO YOU AND YOUR PASSENGERS!**

For warranty information regarding this product, visit www.whelen.com/warranty

Read Before Installation:

WARNING: The use of any magnetically mounted warning device on the outside of a vehicle in motion is not recommended and is the sole risk and responsibility of the user.

WARNING: Do not attempt to wash this or any other electrical device while it is connected to its power source. Exposure to any liquid while product is connected to power source may result in an electrical short circuit within the product and will cause permanent damage to the product and possible injury to the user.

WARNING: All customer supplied wires that connect to the positive terminal of the battery must be sized to supply at least 125% of the maximum operating current and **FUSED** at the battery to carry that load. **DO NOT USE CIRCUIT BREAKERS WITH THIS PRODUCT!**

WARNING: The strobe light power supply is a high voltage device. Do not remove strobe tubes or dismantle strobe light head assemblies in the system while it is in operation. Wait 10 minutes after turning off power before starting work or any trouble shooting.

WARNING: This product has been designed to rest on top of the vehicle's dashboard. Suction cups are available to prevent lateral movement while the vehicle is in motion. These suction cups should not be used to suspend this product above the dashboard.

IMPORTANT: It is the responsibility of the installation technician to make sure that the installation and operation of this product will not interfere with or compromise the operation or efficiency of any vehicle equipment! Before returning the vehicle to active service, visually confirm the proper operation of this product, as well as all vehicle components/equipment.

Installation:

1. Determine mounting style (Fig. 1). Windshield mounting requires the Dash-Miser™ to be in contact with the Dash / Deck while secured to the windshield. For windshield mounting, apply the supplied suction cups to the universal mounting bracket (Fig. 3). For dashboard mounting use the velcro strips (Fig. 4).
2. To adjust the Dash-Miser, loosen the adjustment nuts, position the unit for optimum visibility and re-tighten the adjustment nuts (Fig. 1). Your Dash-Miser should be adjusted so that its beam is parallel with the road at drivers-eye level. This ensures visibility by other vehicles on the road.
3. Insert the pinned ends of the power cord into the Power Plug Housings as shown below under Fig. 2. It is important to install the wires as shown in the exploded view sheet enclosed with your Dash-Miser. Be sure you are referencing the correct sheet for your model. If you are installing the DM3SL, refer to Fig. 2 when wiring the center take-down lamp. If you are connecting Dash-Miser model DM2SL or DM3SL to a UPS-64C or UPS-96C power supply, it is important that the plugs are connected so that the lights are being fired simultaneously or alternating, as long as the other lights connected to the power supply are active. This is not necessary if connecting to the UPS-52C, UPS-54C, UPS-94C or UPS-188C.

Fig. 1

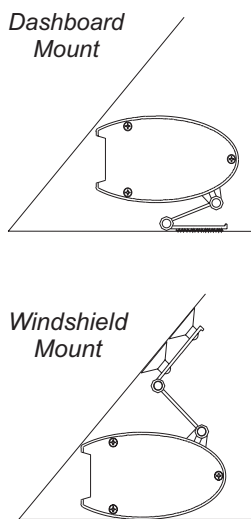


Fig. 2

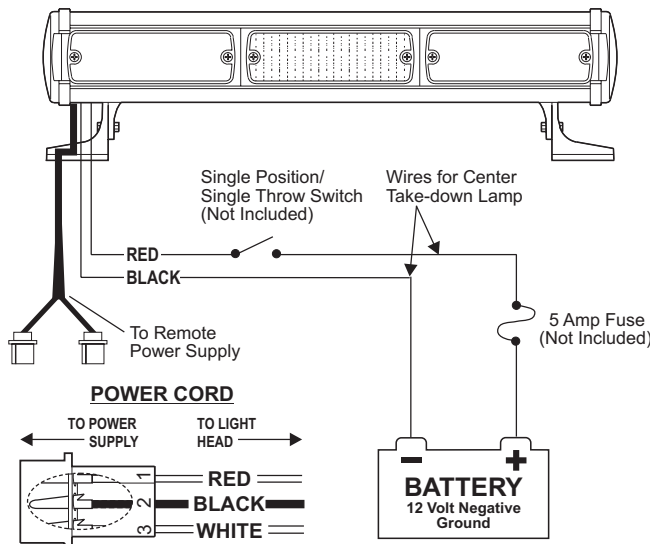


Fig. 3

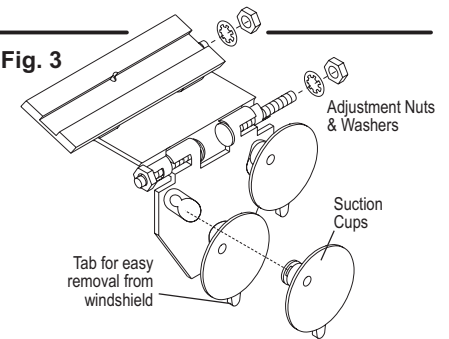
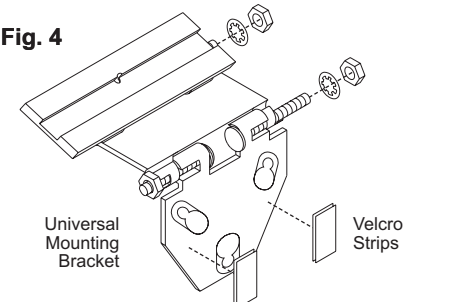


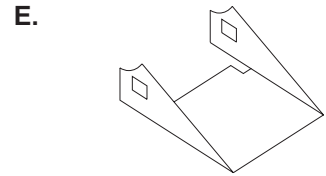
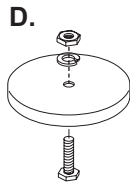
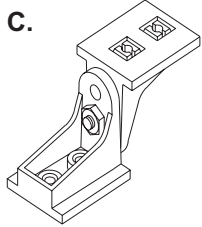
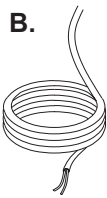
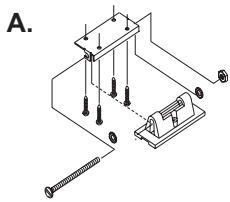
Fig. 4



Below are the options that are available for the Dash-Miser™ . Please be sure to note the model number of the desired option when ordering.

DESCRIPTION	MODEL
A - MOUNTING BRACKET FOR CROWN VICTORIA	DMBCV94
B - 15 FOOT POWER CORD (DM3H & DM3S ONLY)	EXT15
C - SWIVEL FOOT MOUNT	DMPED
D - MAGNETIC MOUNT KIT	DMMM
E - SIDE GLARE SHIELD KIT	DMPWH**
F - COILED CIGAR POWER CORD	DMCC
G- CIGAR POWER CORD WITH REMOTE SWITCH	DMPGPSW
Not Shown- MOUNTING BRACKET FOR FORD EXPLORER	DMBEXP94
Not Shown- MOUNTING BRACKET FOR CAPRICE CLASIC	DMBCAP94

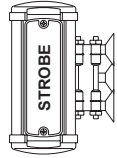
** = Insert Number for Model Being Ordered - 1= DMP1SL, 2= DMP2SL



Parts List / Dash-Miser™ Single DM1SL

ITEM QTY.	PART NUMBER	DESCRIPTION
1	02-0363292-00	REFLECTOR / STROBE ASSEMBLY
2	68-3963228-50	LENS SCREW / STROB / #6 X 3/8" PPH PLASTI-LOC
3	68-3963228-50	RED LENS / STROBE
3	68-3963228-40	GREEN LENS / STROBE
3	68-3963228-30	CLEAR LENS / STROBE
3	68-3963228-20	BLUE LENS / STROBE
3	68-3963228-10	AMBER LENS / STROBE
4	21-11121603-0	3/8" GROMMET
5	02-0241828-15	WIRE HARNESS / SINGLE
6	11-261326-000	ENDCAP SCREW / #6 X 1/2" PPH PLASTI SS
6A	11-361807-000	ENDCAP SCREW / #8 X 5/8" PPHSMS TYPE A/B
7	01-0461791-00	END CAP
8	11-361807-000	HOUSING / SINGLE
9	01-0461791-00	UNIVERSAL MOUNTING KIT
10	01-0461791-00	#6 X 5/8" PPHSMS
11	01-0461801-00	VELCRO & SUCTION CUP KIT

3 SOCKET AMP CONNECTOR



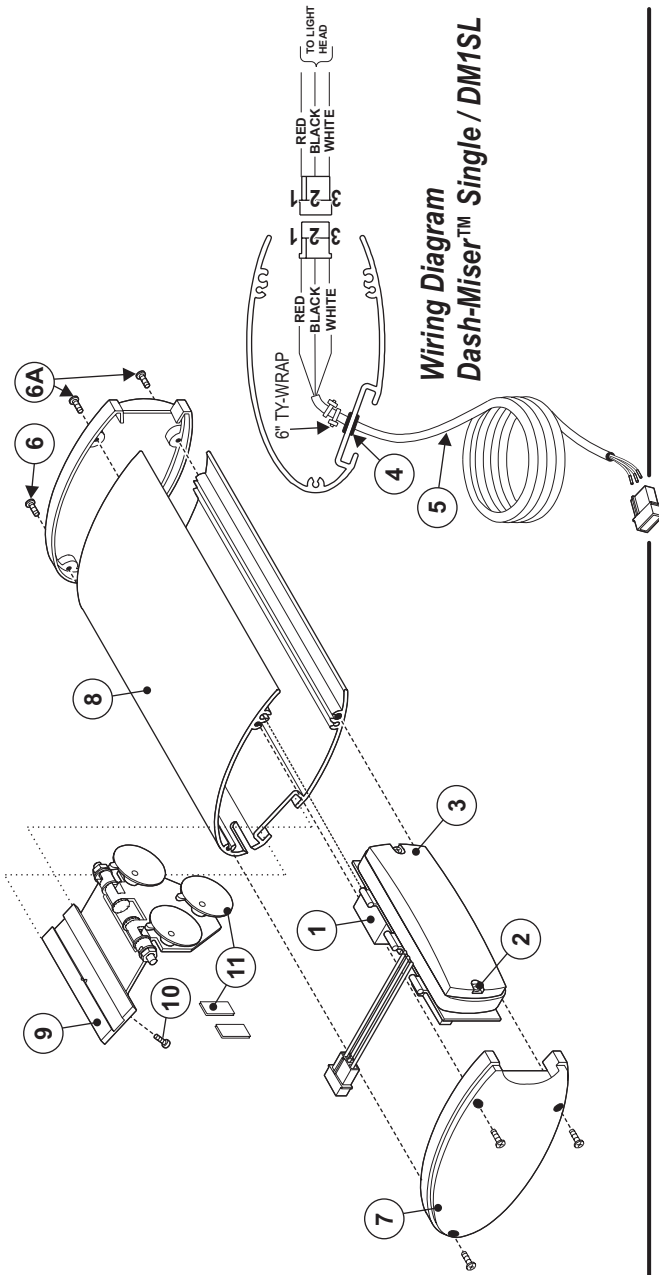
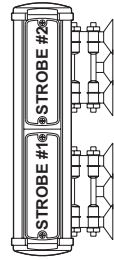
PIN#	STROBE COLOR	FUNCTION
1	RED	ANODE
2	BLACK	CATHODE
3	WHITE	TRIGGER

Parts List / Dash-Miser™ Double DM2SL

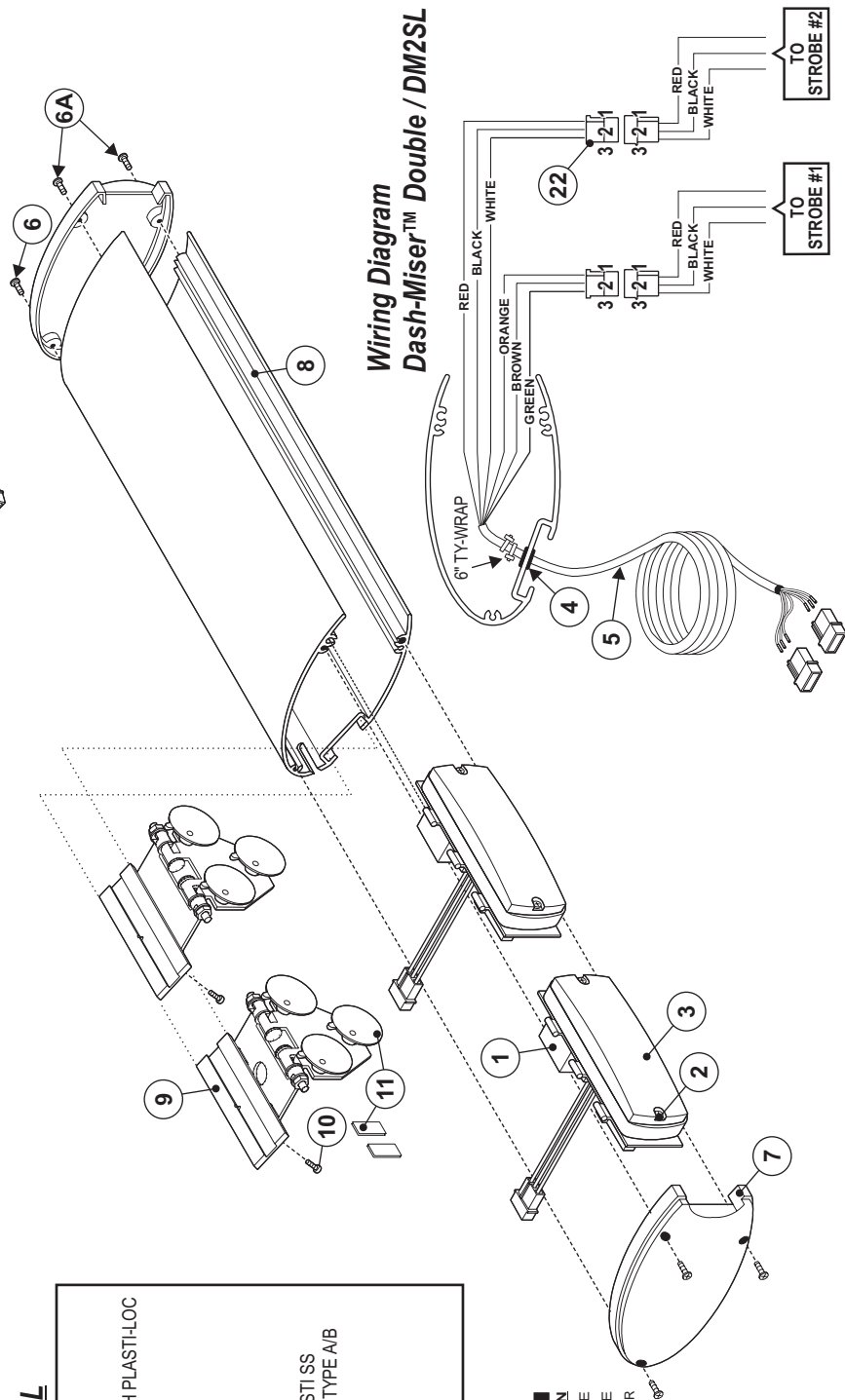
ITEM QTY.	PART NUMBER	DESCRIPTION
1	02-0363292-00	REFLECTOR / STROBE ASSEMBLY
2	68-3963228-50	LENS SCREW / STROB / #6 X 3/8" PPH PLASTI-LOC
3	68-3963228-50	RED LENS / STROBE
3	68-3963228-40	GREEN LENS / STROBE
3	68-3963228-30	CLEAR LENS / STROBE
3	68-3963228-20	BLUE LENS / STROBE
3	68-3963228-10	AMBER LENS / STROBE
4	21-11121603-0	3/8" GROMMET
5	02-0261436-00	WIRE HARNESS / DOUBLE
6	11-261326-000	ENDCAP SCREW / #6 X 1/2" PPH PLASTI SS
6A	11-361808-000	ENDCAP SCREW / #8 X 5/8" PPHSMS TYPE A/B
7	01-0461791-00	END CAP
8	11-361808-000	HOUSING / DOUBLE
9	01-0461791-00	UNIVERSAL MOUNTING KIT
10	01-0461791-00	#6 X 5/8" PPHSMS
11	01-0461801-00	VELCRO & SUCTION CUP KIT

3 SOCKET AMP CONNECTORS

PIN#	STROBE #1 COLOR	FUNCTION	PIN#	STROBE #2 COLOR	FUNCTION
1	ORANGE	ANODE	1	RED	ANODE
2	BROWN	CATHODE	2	BLACK	CATHODE
3	GREEN	TRIGGER	3	WHITE	TRIGGER



Wiring Diagram
Dash-Miser™ Single / DM1SL



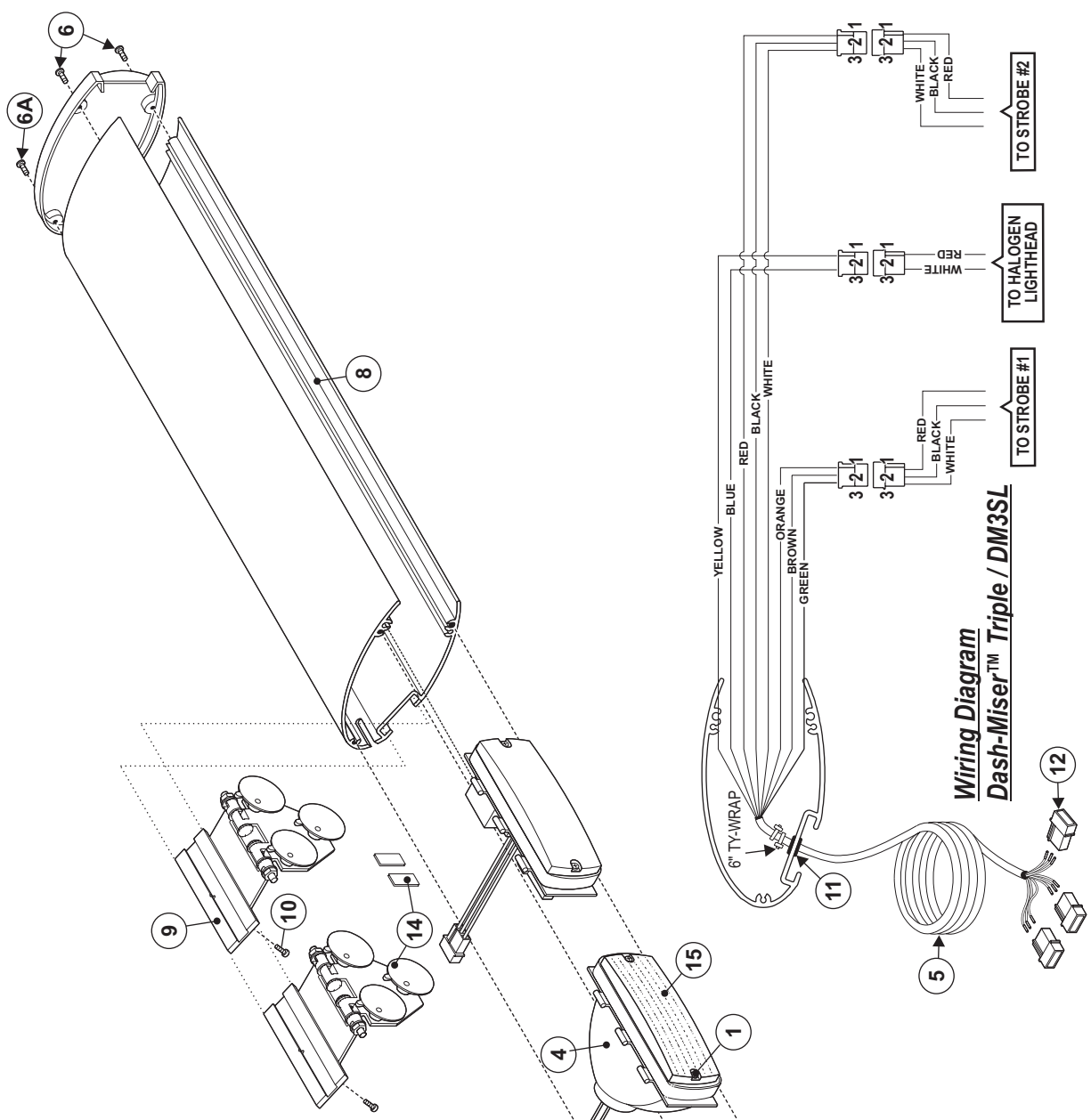
Wiring Diagram
Dash-Miser™ Double / DM2SL

TO STROBE #1

TO STROBE #2

Parts List / Dash-Miser™ Triple DM3SL

ITEM QTY.	PART NUMBER	DESCRIPTION
1	2	LENS SCREW / HALO / #6 X 1/2" PPH TFS
2	4	LENS SCREW / STROB / #6 X 3/8" PPH PLASTI-LOC
3	A/R	RED LENS / STROBE
3	A/R	GREEN LENS / STROBE
3	A/R	CLEAR LENS / STROBE
3	A/R	BLUE LENS / STROBE
3	A/R	AMBER LENS / STROBE
N/S	1	H27SN12 HALOGEN LAMP 12V/27H
4	1	HALOGEN REFLECTOR
5	1	WIRE HARNESS / TRIPLE
6	4	ENDCAP SCREW / #6 X 1/2" PPH PLASTISS
6A	2	ENDCAP SCREW / #8 X 5/8" PPHSMS TYPE A/B
7	2	END CAP
8	1	HOUSING / TRIPLE
9	2	UNIVERSAL MOUNTING KIT
10	2	#6 X 5/8" PPHSMS
11	1	3/8" GROMMET
12	1	KIT CONNECTOR
13	2	REFLECTOR / STROBE ASSEMBLY
14	2	VELCRO & SUCTION CUP KIT
15	A/R	VIOLET LENS / HALOGEN
15	A/R	RED LENS / HALOGEN
15	A/R	GREEN LENS / HALOGEN
15	A/R	CLEAR LENS / HALOGEN
15	A/R	BLUE LENS / HALOGEN
15	A/R	AMBER LENS / HALOGEN



Wiring Diagram
Dash-Miser™ Triple / DM3SL

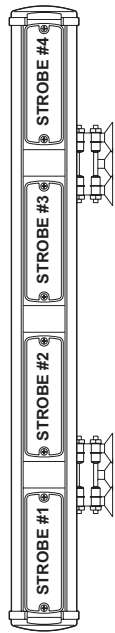
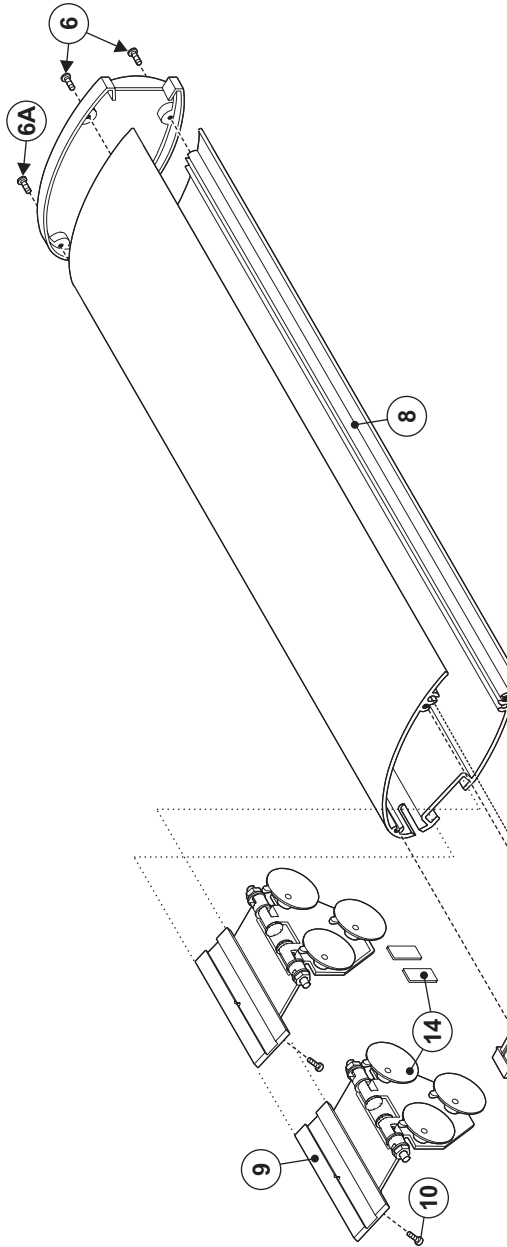
3. SOCKET AMP CONNECTORS

STROBE #1		HALOGEN		STROBE #2	
PIN#	COLOR	PIN#	COLOR	PIN#	COLOR
1	ORANGE	1	YELLOW	1	RED
2	BROWN	2	N/C	2	BLACK
3	GREEN	3	BLUE	3	WHITE

PIN#	FUNCTION	ANODE	CATHODE	TRIGGER
1	+12 VDC	1	RED	ANODE
2	N/A	2	BLACK	CATHODE
3	GROUND (⊕)	3	WHITE	TRIGGER

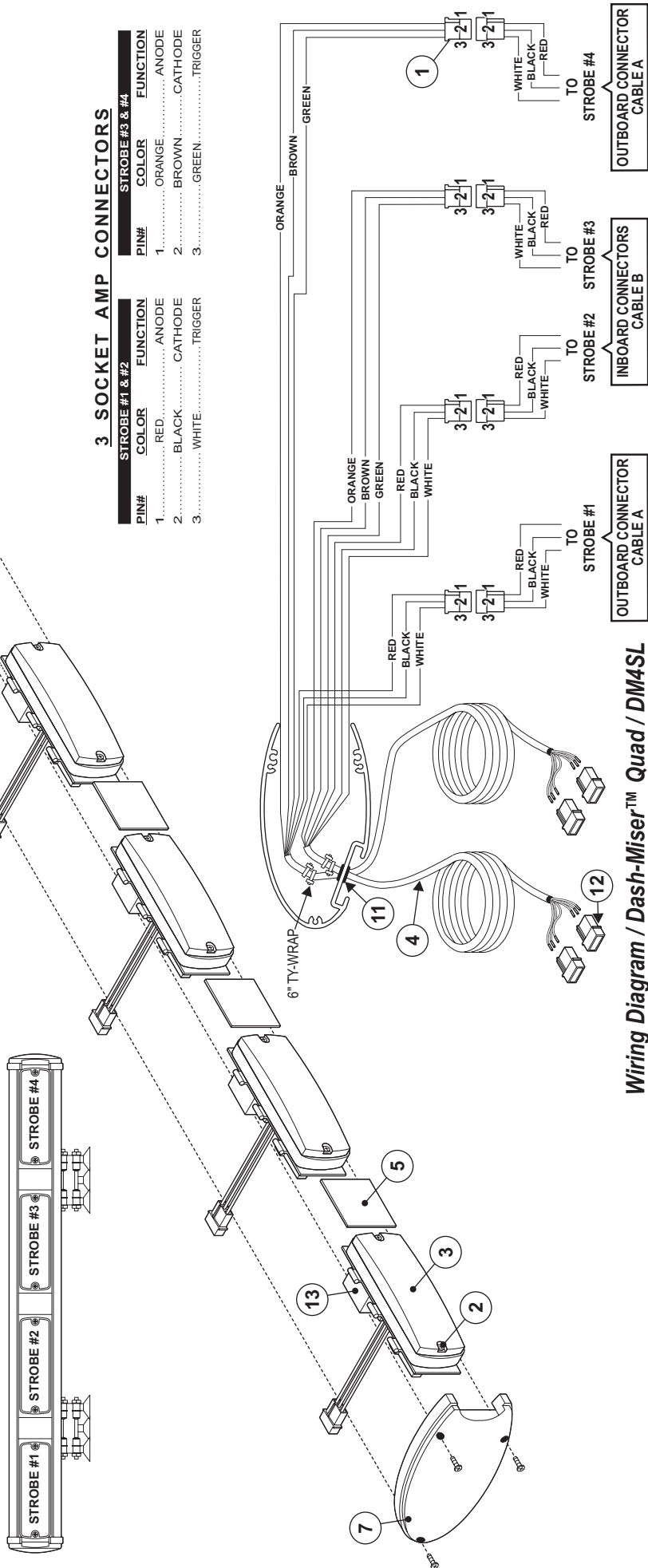
Parts List / Dash-Miser™ Quad DM4SL

ITEM QTY.	PART NUMBER	DESCRIPTION
1	39-0403023-04	AMP HOUSING / 3 POSITION SOCKET
2	8	LENS SCREW / STROB / #6 X 3/8" PPH PLASTI-LOC
3	68-3963228-20	BLUE LENS / STROBE
4	02-0261436-00	WIRE HARNESS / DOUBLE
5	09-1321667-02	FILLER PANEL
6	ENDCAP SCREW / #6 X 1/2" PPH PLASTISS	
6A	ENDCAP SCREW / #8 X 5/8" PPHSMS TYPE AB	
7	11-261326-000	END CAP
8	11-361986-000	HOUSING / QUAD
9	01-0461791-00	UNIVERSAL MOUNTING KIT
10	2	#6 X 5/8" PPHSMS
11	38" GROMMET	
12	01-0415532-00	INSTALLATION KIT 3/C CABLE
13	02-0363292-00	REFLECTOR / STROBE ASSEMBLY
14	01-0461801-00	VELCRO & SUCTION CUP KIT



3 SOCKET AMP CONNECTORS

STROBE #1 & #2		STROBE #3 & #4	
PIN#	FUNCTION	PIN#	FUNCTION
1	RED.....ANODE	1	ORANGE.....ANODE
2	BLACK.....CATHODE	2	BROWN.....CATHODE
3	WHITE.....TRIGGER	3	GREEN.....TRIGGER



Wiring Diagram / Dash-Miser™ Quad / DM4SL