

# WHELEN<sup>®</sup>

ENGINEERING COMPANY INC.

Route 145, Winthrop Road,

Chester, Connecticut 06412

Phone: (860) 526-9504

Fax: (860) 526-4078

Internet: [www.whelen.com](http://www.whelen.com)

Sales e-mail: [autosale@whelen.com](mailto:autosale@whelen.com)

Canadian Sales e-mail: [autocan@whelen.com](mailto:autocan@whelen.com)

Customer Service e-mail: [custserv@whelen.com](mailto:custserv@whelen.com)

## Installation Guide for the DashMiser™

Models: DM1H / DM2H / DM3H

### Safety First

This document provides all the necessary information to allow your Whelen product to be properly and safely installed. Before beginning the installation and/or operation of your new product, the installation technician and operator must read this manual completely. Important information is contained herein that could prevent serious injury or damage.

- **Proper installation of this product requires the installer to have a good understanding of automotive electronics, systems and procedures.**
- **If mounting this product requires drilling holes, the installer MUST be sure that no vehicle components or other vital parts could be damaged by the drilling process. Check both sides of the mounting surface before drilling begins. Also de-burr the holes and remove any metal shards or remnants. Install grommets into all wire passage holes.**
- **If this manual states that this product may be mounted with suction cups, magnets, tape or Velcro™, clean the mounting surface with a 50/50 mix of isopropyl alcohol and water and dry thoroughly.**
- **Do not install this product or route any wires in the deployment area of your air bag. Equipment mounted or located in the air bag deployment area will damage or reduce the effectiveness of the air bag, or become a projectile that could cause serious personal injury or death. Refer to your vehicle owners manual for the air bag deployment area. The User/Installer assumes full responsibility to determine proper mounting location, based on providing ultimate safety to all passengers inside the vehicle.**
- **For this product to operate at optimum efficiency, a good electrical connection to chassis ground must be made. The recommended procedure requires the product ground wire to be connected directly to the NEGATIVE (-) battery post (this does not include products that use cigar power cords).**
- **If this product uses a remote device for activation or control, make sure that this device is located in an area that allows both the vehicle and the device to be operated safely in any driving condition.**
- **Do not attempt to activate or control this device in a hazardous driving situation.**
- **This product contains either strobe light(s), halogen light(s), high-intensity LEDs or a combination of these lights. Do not stare directly into these lights. Momentary blindness and/or eye damage could result.**
- **Use only soap and water to clean the outer lens. Use of other chemicals could result in premature lens cracking (crazing) and discoloration. Lenses in this condition have significantly reduced effectiveness and should be replaced immediately. Inspect and operate this product regularly to confirm its proper operation and mounting condition. Do not use a pressure washer to clean this product.**
- **It is recommended that these instructions be stored in a safe place and referred to when performing maintenance and/or reinstallation of this product.**
- **FAILURE TO FOLLOW THESE SAFETY PRECAUTIONS AND INSTRUCTIONS COULD RESULT IN DAMAGE TO THE PRODUCT OR VEHICLE AND/OR SERIOUS INJURY TO YOU AND YOUR PASSENGERS!**

**For warranty information regarding this product, visit [www.whelen.com/warranty](http://www.whelen.com/warranty)**

## Read Before Installation:

**WARNING!** The use of any magnetically mounted warning beacon on the outside of a vehicle while in motion is not recommended and is at the sole discretion and risk of the user. Whelen Engineering makes no warranties or guarantees of equipment used in this way.

**WARNING!** This product produces an intense light (flashing or otherwise) during the course of its normal operation. Do not position this product in such a way that this light will be visible to the vehicle operator. Exposure to light of such sudden intensity may cause a momentary lack of visual acuity. Under no circumstances should anyone look directly at the light source when product is connected to a power source.

**WARNING!** Do not attempt to wash this or any other electrical device while it is connected to its power source. Exposure to any liquid while

product is connected to power source may result in an electrical short circuit within the product and will cause permanent damage to the product and possible injury to the user.

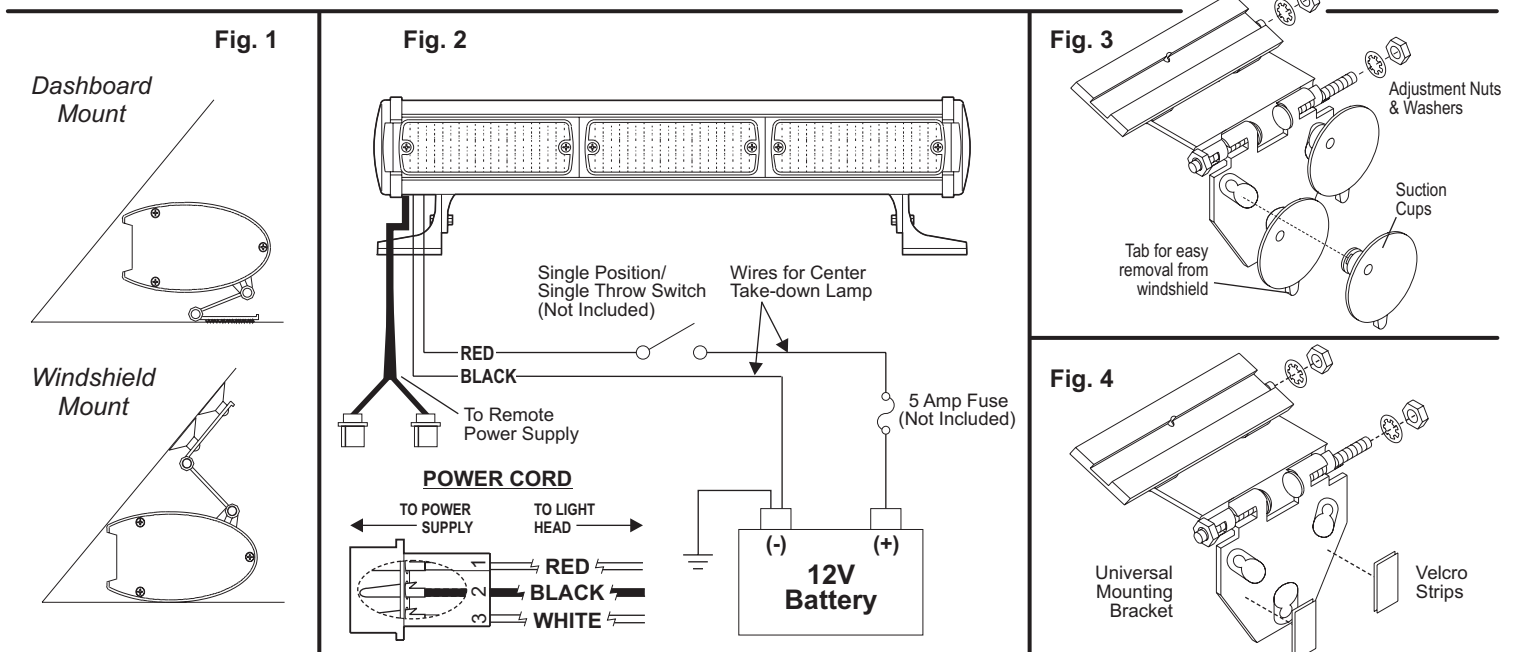
**WARNING!** All customer supplied wires that connect to the positive terminal of the battery, must be sized to supply at least 125% of the maximum operating current and must be fused "AT THE BATTERY" to carry that load.

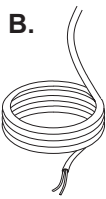
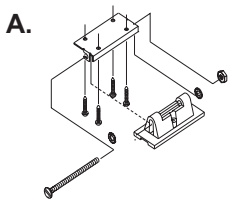
**WARNING!** Do not attempt to touch any interior components until at least 5 (five) minutes have elapsed since device has been disconnected from its power supply. This will prevent accidental electrical discharge from occurring that could cause a High-Voltage shock.

**CAUTION!** This product has been designed to rest on top of the vehicle's dashboard. Suction cups are available to prevent lateral movement while the vehicle is in motion. These suction cups should not be used to suspend this product above the dashboard.

## Installation:

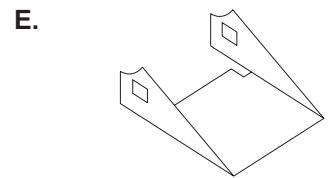
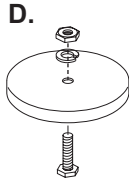
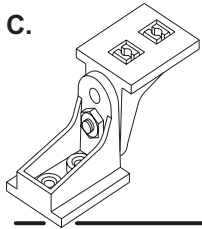
1. Determine the mounting style. Windshield or dashboard (Fig. 1).
2. For windshield mounting, apply the supplied suction cups to the universal mounting bracket (Fig 3). Windshield mounting requires the DashMiser™ to be in contact with the Dash while secured to the windshield. For dashboard mounting use the velcro strips (Fig. 4).
3. To adjust the DashMiser™, loosen the adjustment nuts (Fig. 3), position the unit for optimum visibility and re-tighten the adjustment nuts. Your DashMiser™ should be adjusted so that its beam is parallel with the road at drivers-eye level. This ensures visibility by other vehicles on the road.
4. Insert the pinned ends of the power cord into the Power Plug Housings as shown below under Fig. 2. It is important to install the wires as shown in the exploded view sheet enclosed with your DashMiser. Be sure you are referencing the correct sheet for your model. If you are installing the DM3H, refer to Fig. 2 when wiring the center take-down lamp.

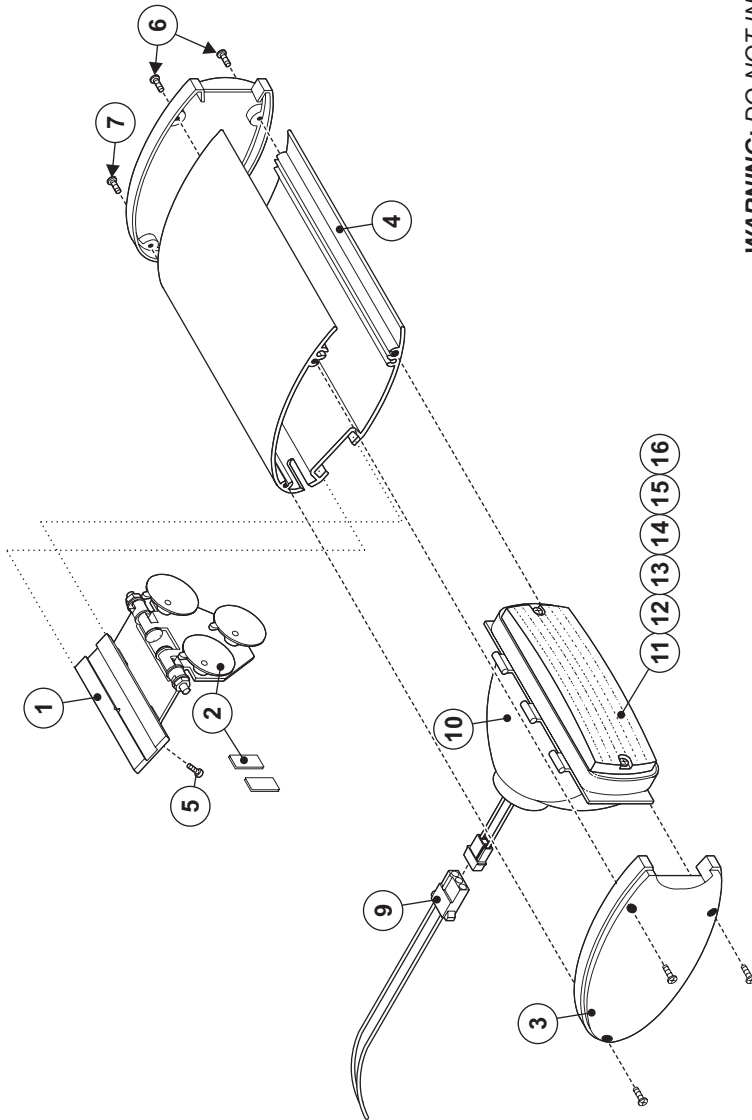




Below are the options that are available for the DashMiser™ .  
Please be sure to note the model number of the desired option when ordering.

<b>DESCRIPTION</b>	<b>MODEL</b>
<b>A</b> - MOUNTING BRACKET FOR CROWN VICTORIA . . . . .	<i>DMBCV94</i>
<b>B</b> - 15 FOOT POWER CORD ( <i>DM3H &amp; DM3S ONLY</i> ) . . . . .	<i>EXT15</i>
<b>C</b> - SWIVEL FOOT MOUNT . . . . .	<i>DMPED</i>
<b>D</b> - MAGNETIC MOUNT KIT . . . . .	<i>DMMM</i>
<b>E</b> - SIDE GLARE SHIELD KIT . . . . .	<i>DMPWH**</i>
<b>F</b> - COILED CIGAR POWER CORD . . . . .	<i>DMCC</i>
<b>G</b> - CIGAR POWER CORD WITH REMOTE SWITCH . . . . .	<i>DMPGPSW</i>
Not Shown- MOUNTING BRACKET FOR FORD EXPLORER . . . . .	<i>DMBEXP94</i>
Not Shown- MOUNTING BRACKET FOR CAPRICE CLASIC . . . . .	<i>DMBCAP94</i>
<b>**</b> = Insert Number for Model Being Ordered - 1= DMP1SL, 2= DMP2SL	

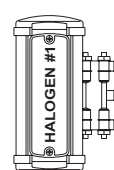




**WARNING: DO NOT INSTALL HALOGEN BULBS EXCEEDING 27 WATTS.**

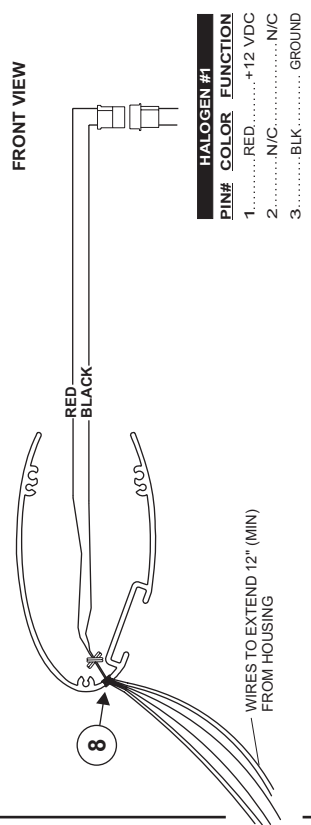
**Parts List / DashMiser DM1H**

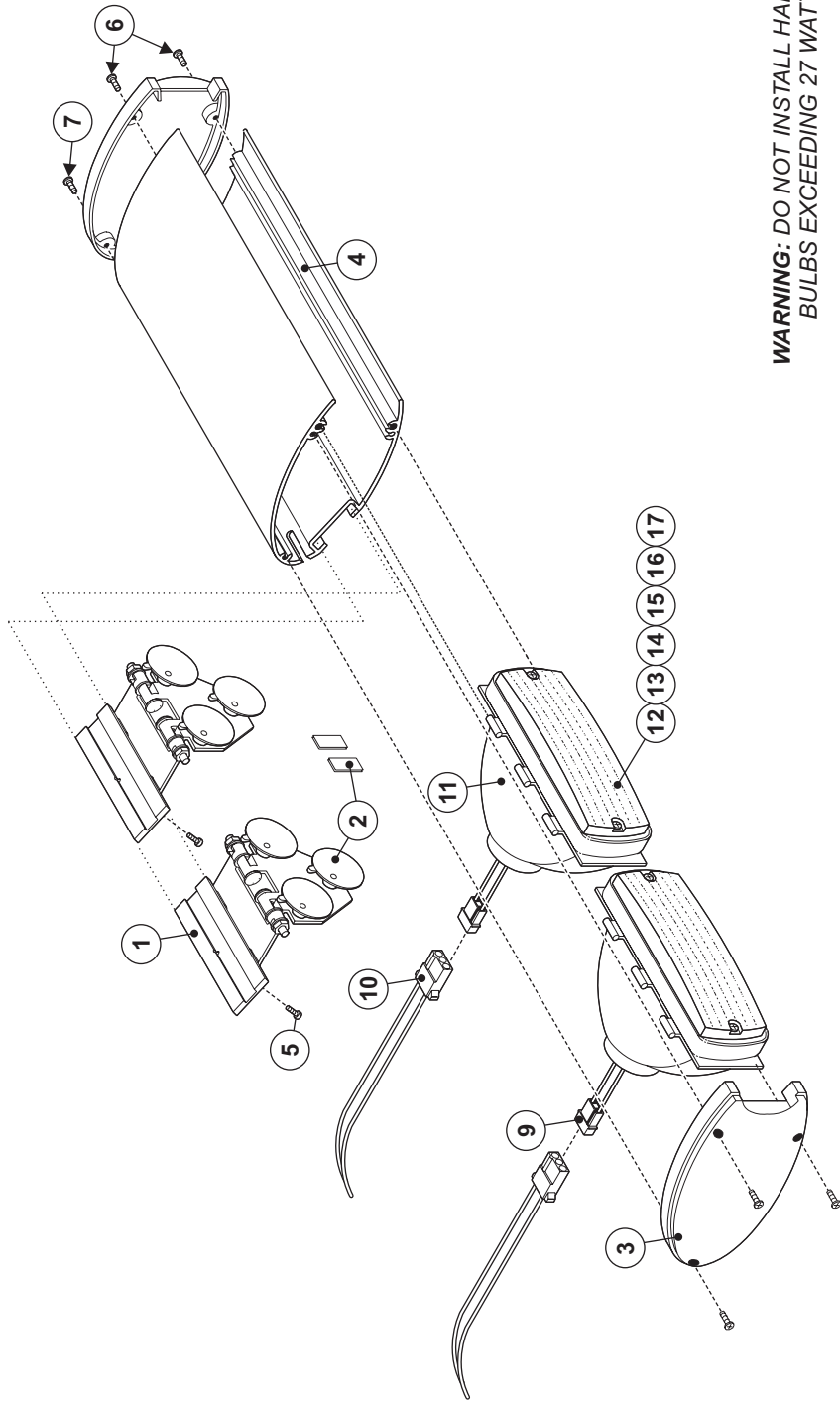
QTY	ITEM	PART NUMBER	DESCRIPTION
1	1	01-0461791-00	UNIVERSAL MOUNTING KIT
1	2	01-0461801-00	VELCRO AND SUCTION CUP KIT
2	3	11-261326-000	ENDCAP
1	4	11-361739-000	HOUSING / SINGLE
1	5	.....	SCREW / #6 X 5/8" PFHMS SS
4	6	.....	SCREW / #6 X 5/8" PPH PLASTI SS
2	7	.....	SCREW / #8 X 5/8" PPHMS SS TYPE AB
1	8	21-11091202-0	3/8" GROMMET
1	9	46-0721289-00	ASSEMBLY / POWER PIGTAIL SINGLE
1	10	02-0383584-00	500 REFLECTOR / SUB ASSEMBLY / 2 WIRE-3 POS AMP
A/R	11	68-1963237-V0	LENS / 500 SERIES / VIOLET
A/R	12	68-1963237-50	LENS / 500 SERIES / RED
A/R	13	68-1963237-40	LENS / 500 SERIES / GREEN
A/R	14	68-1963237-30	LENS / 500 SERIES / CLEAR
A/R	15	68-1963237-20	LENS / 500 SERIES / BLUE
A/R	16	68-1963237-10	LENS / 500 SERIES / AMBER
1	NS	01-0441987-03	H27SN12 SNAP IN LAMP 12V / 27H



FRONT VIEW

**Wiring Diagram / DashMiser DM1H**



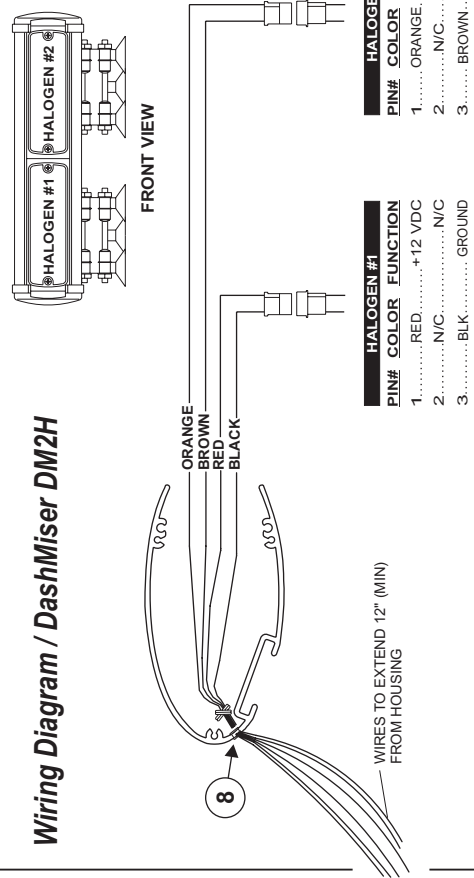


**WARNING: DO NOT INSTALL HALOGEN BULBS EXCEEDING 27 WATTS.**

**Parts List / DashMiser DM2H**

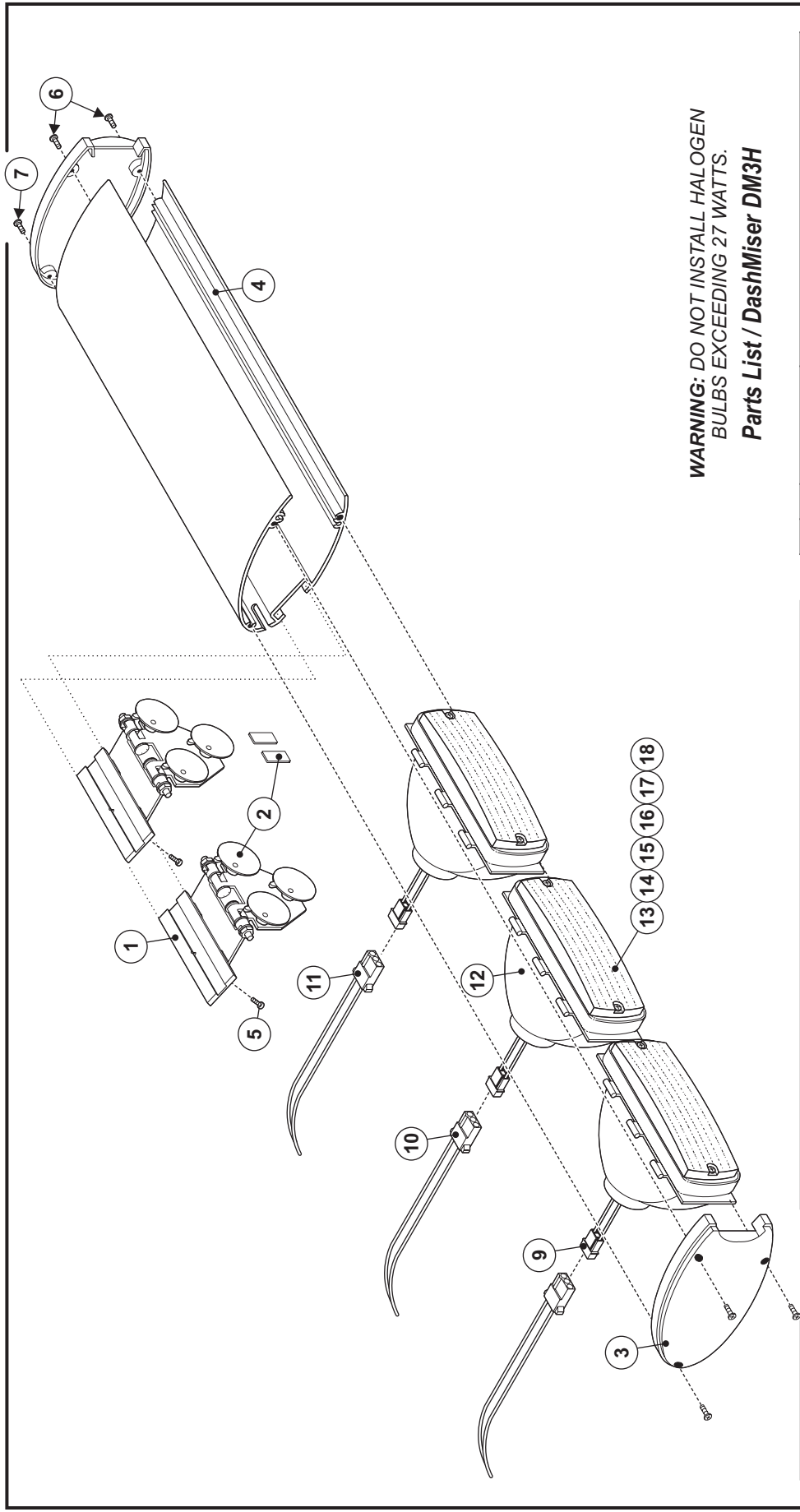
QTY	ITEM	PART NUMBER	DESCRIPTION
2	1	01-0461791-00	UNIVERSAL MOUNTING KIT
2	2	01-0461801-00	SUCTION CUP AND VELCRO KIT
2	3	11-261326-000	ENDCAP
1	4	11-361740-000	HOUSING / DOUBLE
2	5	.....	SCREW / #6 X 5/8" PFHMS SS
4	6	.....	SCREW / #6 X 5/8" PPH PLASTI SS
2	7	.....	SCREW / #8 X 5/8" PPHMS SS TYPE AB
1	8	21-11091202-0	3/8" GROMMET
1	9	46-0721289-00	ASSEMBLY / POWER PIGTAIL SINGLE
1	10	46-0721669-00	ASSEMBLY / POWER PIGTAIL DOUBLE
2	11	02-0383584-00	500 REFLECTOR / SUB ASSEMBLY / 2 WIRE-3 POS AMP
A/R	12	68-1963237-V0	LENS / 500 SERIES / VIOLET
A/R	13	68-1963237-50	LENS / 500 SERIES / RED
A/R	14	68-1963237-40	LENS / 500 SERIES / GREEN
A/R	15	68-1963237-30	LENS / 500 SERIES / CLEAR
A/R	16	68-1963237-20	LENS / 500 SERIES / BLUE
A/R	17	68-1963237-10	LENS / 500 SERIES / AMBER
2	N/S	01-0441987-03	H27SN12 SNAP IN LAMP 12V / 27H

**Wiring Diagram / DashMiser DM2H**



HALOGEN #1	HALOGEN #2				
PIN#	COLOR	FUNCTION	PIN#	COLOR	FUNCTION
1	ORANGE	+12 VDC	1	ORANGE	+12 VDC
2	N/C	N/C	2	N/C	N/C
3	BLK	GROUND	3	BROWN	GROUND

WIRES TO EXTEND 12" (MIN) FROM HOUSING



**WARNING: DO NOT INSTALL HALOGEN BULBS EXCEEDING 27 WATTS.**  
**Parts List / DashMiser DM3H**

QTY	ITEM	PART NUMBER	DESCRIPTION
2	1	01-0461791-00	UNIVERSAL MOUNTING KIT
2	2	01-0461801-00	SUCTION CUP AND VELCRO KIT
2	3	11-261326-000	ENDCAP
1	4	11-361816-000	HOUSING / TRIPLE
2	5		SCREW / #6 X 5/8" PPHSMS SS
4	6		SCREW / #6 X 5/8" PPH PLASTI SS
2	7		SCREW / #8 X 5/8" PPHSMS SS TYPE A/B
1	8	21-11091202-0	3/8" GROMMET
1	9	46-0721289-00	ASSEMBLY / POWER PIGTAIL SINGLE
1	10	46-0721669-00	ASSEMBLY / POWER PIGTAIL DOUBLE
1	11	46-0721670-00	ASSEMBLY / POWER PIGTAIL TRIPLE
3	12	02-0383584-00	500 REFLECTOR / SUB ASSEMBLY / 2 WIRE-3 POS AMP
A/R	13	68-1963237-V0	LENS / 500 SERIES / VIOLET
A/R	14	68-1963237-50	LENS / 500 SERIES / RED
A/R	15	68-1963237-40	LENS / 500 SERIES / GREEN
A/R	16	68-1963237-30	LENS / 500 SERIES / CLEAR
A/R	17	68-1963237-20	LENS / 500 SERIES / BLUE
A/R	18	68-1963237-10	LENS / 500 SERIES / AMBER
3	NS	01-0441987-03	H27SN12 SNAP IN LAMP 12V / 27H

