

WHELEN[®]

ENGINEERING COMPANY INC.

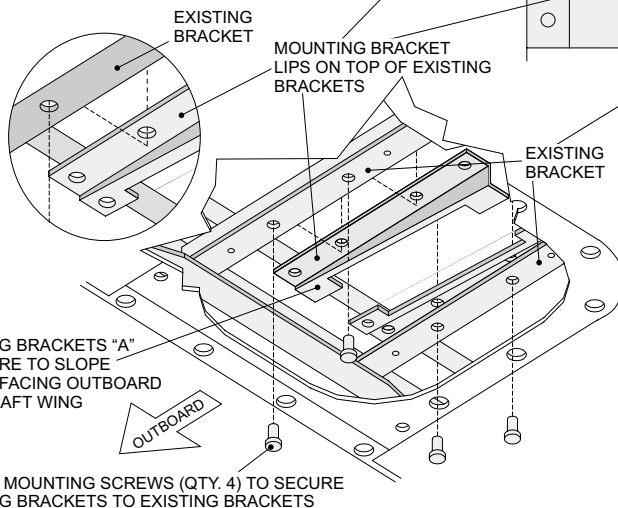
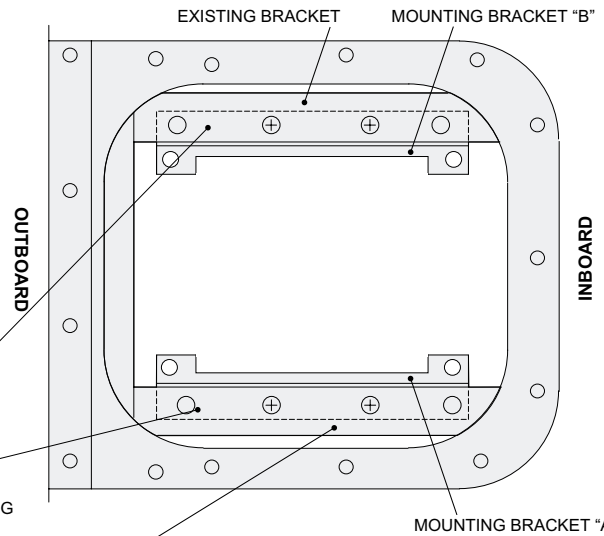
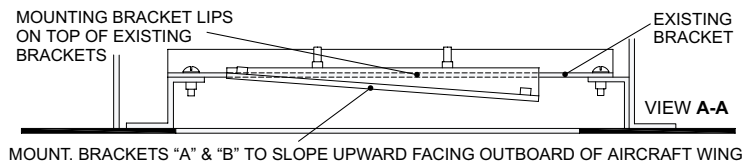
Route 145, Winthrop Road,
 Chester, Connecticut 06412
 Phone: (860) 526-9504
 Fax: (860) 526-2009
 Internet: www.whelen.com
 Sales/Service e-mail: aviation@whelen.com

Wingtip Power Supply Replacement for Cessna Citation 550, Serial #128 and above, S550 and 560 serial #0001-0256 without SB560-3308 applied, with 90159 Series Wingtip Strobe Light Assembly.

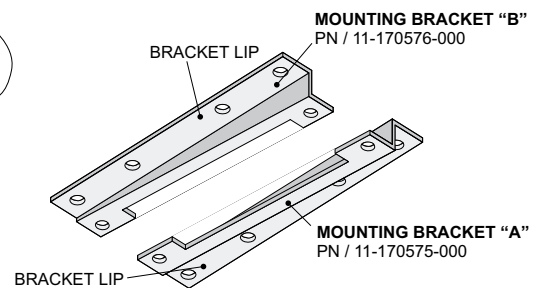
90101 Series Strobe Light Power Supply Installation . . .

1. On both wings of the aircraft, remove the wingtip access panel by unscrewing the mounting screws.
2. Remove existing strobe light power supply from the wing-tip access cut-out by removing the four mounting screws. Disconnect cables from power supply.
3. Install the two supplied mounting brackets ("A" and "B") with lips on top of existing brackets, located inside wing-tip access cut-out, and secure with the four mounting screws.
4. Connect the Whelen Strobe Light Power Supply to the connectors of the existing cables and install the power supply onto "A" and "B" mounting brackets with the connectors facing outboard. Secure the power supply with the four #8-32 MS51957-46 mounting screws (supplied) to the "A" and "B" mounting brackets.
5. Replace the wingtip access panel over the wingtip cut-out, and secure with the mounting screws.

IMPORTANT NOTE: When brackets are installed, insure that the upward slope is facing outboard of the wing.

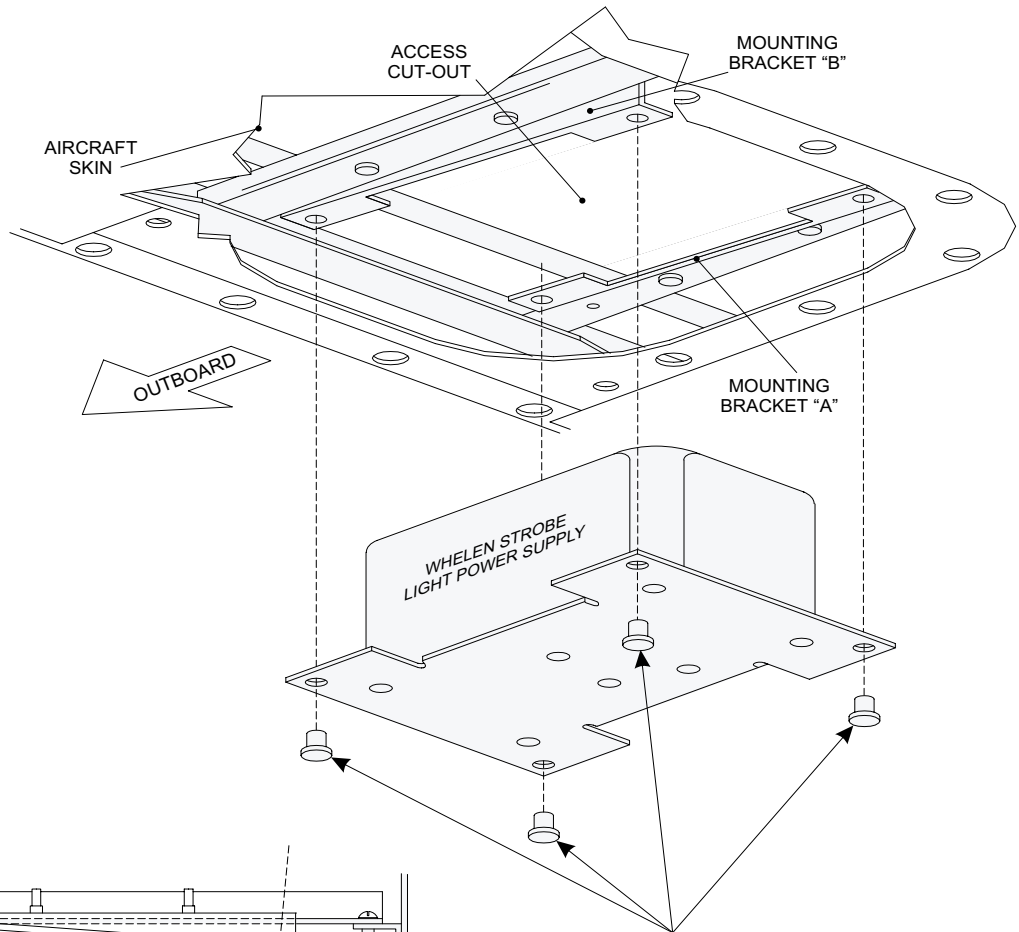


NOTE: ACCESS CUT-OUT SHOWN IN ISOMETRIC DRAWINGS AS SEEN FROM BELOW THE AIRCRAFT'S WING

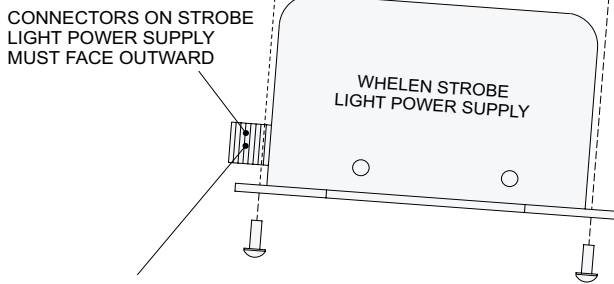
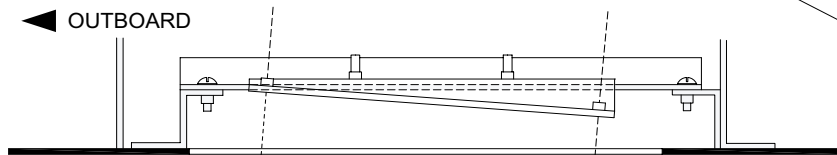


Aviation

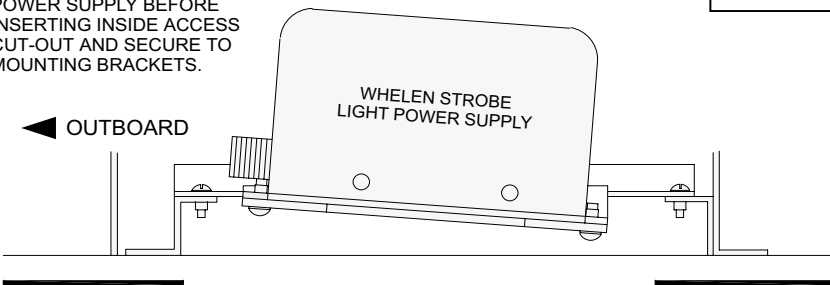
Strobe Light Power Supply Installation Instructions (Whelen 90101 Series)



Four, #8-32 (MS51957-46) mounting screws to secure strobe light power supply to mounting brackets "A" & "B"



IMPORTANT NOTE: CONNECT CABLES TO STROBE LIGHT POWER SUPPLY BEFORE INSERTING INSIDE ACCESS CUT-OUT AND SECURE TO MOUNTING BRACKETS.

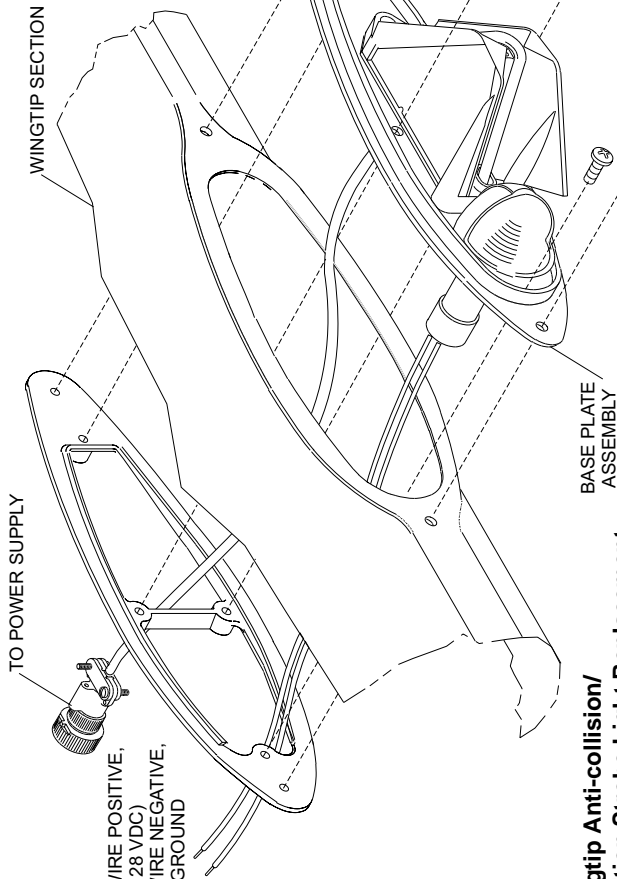


WARNING! THE STROBE LIGHT POWER SUPPLY IS A HIGH VOLTAGE DEVICE. DO NOT REMOVE STROBE TUBES OR DISMANTLE THE STROBE LIGHT HEAD ASSEMBLIES WHILE IN OPERATION.

WAIT 10 MINUTES AFTER TURNING OFF POWER BEFORE STARTING WORK ON ANY TROUBLE SHOOTING.

WHELEN 90159 SERIES WINGTIP STROBE LIGHT ASSEMBLY

WHITE WIRE POSITIVE,
(+ 28 VDC)
BLACK WIRE NEGATIVE,
(-) GROUND



WARNING! THE STROBE LIGHT POWER SUPPLY IS A HIGH VOLTAGE DEVICE DO NOT REMOVE STROBE TUBES OR DISMANTLE THE STROBE LIGHT HEAD ASSEMBLIES WHILE IN OPERATION.
WAIT 10 MINUTES AFTER TURNING OFF POWER BEFORE STARTING WORK ON ANY TROUBLE SHOOTING.

BASE PLATE MOUNTING SCREWS (4)
#10-32 X 3/4 INCH, PHILLIPS PAN HEAD
(MS51958-65)

LENS RETAINER MOUNTING SCREWS (2), #10-32 X 1 INCH, PHILLIPS FLAT HEAD (MS51960-70)

NOTE: AT INSTALLATION, MOUNTING SCREWS SHOULD BE TIGHTENED EVENLY TO A MAXIMUM OF 13 IN./LBS. OF TORQUE.
IMPORTANT! SCREWS SHOULD BE ALTERNATELY TIGHTENED UNTIL THE FINAL TORQUE VALUE HAS BEEN ACHIEVED.

Wingtip Anti-collision/ Position Strobe Light Replacement for Cessna 550 and 560 Series . . .

1. Remove existing wingtip assembly.
2. Clean all excess adhesive from opening and mounting surface.
3. Fill lower hole, if any, with hardware included seperately.
4. Position doubler plate inside wing behind opening.
5. The position light wires should be fed through doubler plate.
6. Observe polarity of existing position light wires, and connect to the wires of the Whelen light assembly, using DME-20 or equivalent.

NOTE: CONNECTION METHOD TO BE CERTIFIED FAA TYPE.

7. Remove lens retainer, lens and gasket from base plate assembly.
8. Using the two lens retainer mounting screws, temporarily attach the base assembly to the doubler plate to align into position for step 9.
9. Permanently align and attach base plate assembly to doubler plate using the four base plate mounting screws.
10. Remove the two lens retainer screws.
11. Following the procedure provided for the mounting hardware, securely attach gasket, lens and lens retainer to base plate assembly, using the two lens retainer screws. NOTE: Gasket should be aligned properly.
13. Connect strobe power cable to strobe light power supply.

REV	ESN	DESCRIPTION	DATE
C	15359	ADDED 40 UNITS	1/2/92
G	15456	ADDED NOTES	1/11/92
H	15456	ADDED NOTES	1/11/92
J	19254	ADDED SHEET #4	4/15/94
K	10100	CHGD SPECS	1/25/94
L	10210	REV'D DIMS & SPECS	2/17/94
M	10714	REV'D DIMS CONNECTORS	4/9/94
N	11300	ADDED 01 ASSEMBLY	10/24/94
P	14469	REV'D HOWARD SUPPORT HOLE	2/29/95
R	15283	ADDED 07 ASSEMBLY	10/24/96
T	15295	REV'D HOWARD SUPPORT HOLE	10/24/96
U	15295	REV'D HOWARD SUPPORT HOLE	10/24/96
W	17295	REV'D HOWARD SUPPORT HOLE	1/26/97

GENERAL NOTES:

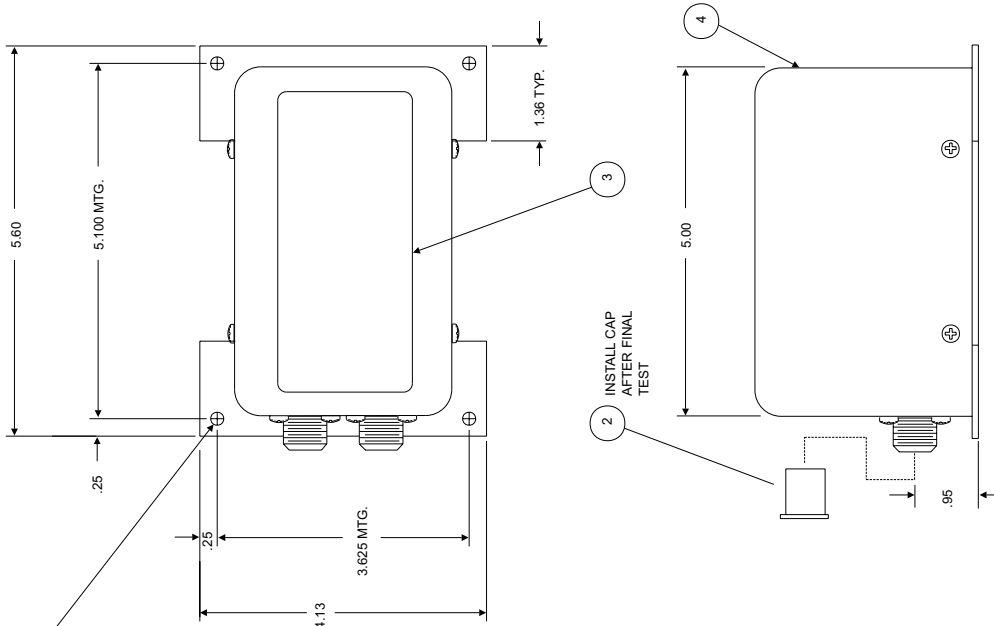
1. SPECIFICATIONS:

- INPUT VOLTAGE.....14 VDC or 28 VDC (TYP)
- INPUT CURRENT.....4 AMPS or 2 AMPS (AVG)
- FLASHRATE.....45±5 BURSTS PER MIN.
- JOULES.....16.6,6.6
- WEIGHT.....1.7 lbs.
- ENERGY.....22 JOULES WITHIN 200ms.
34 JOULES WITHIN 405ms.

2. THIS POWER SUPPLY (PN 01-0790101-04) USED WITH STROBE LIGHT PART NUMBERS 01-0790159(-) MEETS THE MINIMUM REQUIREMENTS STATED IN FAR PART 23 & PART 25 FOR ANTI-COLLISION LIGHT SYSTEMS.

3. THE 01-0790101-04 POWER SUPPLY COMPLIES WITH THE FOLLOWING ENVIRONMENTAL TEST REQUIREMENTS IN ACCORDANCE WITH RTCA/DO-160C:
TEMPERATURE/ALTITUDE - SECT. 4, CAT. D2
VIBRATION - SECT. 8, ROBUST (8/6)
WATERPROOFNESS - SECT. 10, CAT. S
FLUIDS SUSCEPTABILITY - SECT. 11, SPRAY TEST (11.4.1)
SAND & DUST - SECT. 12, CAT. D
SALT SPRAY - SECT. 14, CAT. S
POWER INPUT - SECT. 16, CAT. B
VOLTAGE SPIKE - SECT. 17, CAT. B, PAR. 17.4
AUDIO FREQUENCY CONDUCTED SUSPECT. - SECT. 18, CAT. B, PAR. 18.3.1
MAGNETIC FIELDS INDUCED INTO EQ. - SECT. 19, CAT. B, PAR. 19.3.1
SPIKES INDUCED INTO INTERCONN. CABLES - SECT. 19, CAT. B, PAR. 19.3.4
RADIATED AND CONDUCTED SUSCEPTABILITY - SECT. 20, CAT. U, PAR. 20.4, 20.5
RADIATED AND CONDUCTED EMISSIONS - SECT. 21, CAT. B, PAR. 21.3, 21.4

4. FAA - STC - C96a APPROVED



QTY	ITEM	PART NUMBER	DESCRIPTION
1	4	01-02876301-00	POWER SUPPLY HTS-CF-FMS - MOD VALU#104016-1VA
1	3	10-03304692-02	MFG. LABEL
2	2	22-04304689-00	CAP PLUG
1	1	10-03304445-00	INPUT OUTPUT LABEL
		01-0790101-04	POWER SUPPLY, STROBE LIGHT (HTS-CF-FMS)

CITY		STATE		COUNTRY		PART NUMBER		DESCRIPTION	
1924	INDIANAPOLIS	IN	INDIANAPOLIS	USA	INDIANAPOLIS	INDIANAPOLIS	INDIANAPOLIS	INDIANAPOLIS	INDIANAPOLIS
<p>WHILEN® <small>WHILEN ELECTRONIC SYSTEMS, INC. 10000 WINDY HOLLOW DRIVE INDIANAPOLIS, IN 46256-1000 TEL: 317-251-1000 FAX: 317-251-1001 WWW.WHILEN.COM</small></p>									
MATERIAL		DR. J/P/A	DATE: 2/15/94	ISSUE:	DATE: 2/15/94	REV. DATE:	DATE: 2/15/94	REV. DATE:	DATE: 2/15/94
PART		HTS VDC:	HTS AMP:	HTS J/SEC:	HTS J/SEC:	HTS J/SEC:	HTS J/SEC:	HTS J/SEC:	HTS J/SEC:
PART		HTS VDC:	HTS AMP:	HTS J/SEC:	HTS J/SEC:	HTS J/SEC:	HTS J/SEC:	HTS J/SEC:	HTS J/SEC:
PART		HTS VDC:	HTS AMP:	HTS J/SEC:	HTS J/SEC:	HTS J/SEC:	HTS J/SEC:	HTS J/SEC:	HTS J/SEC:



