

WHELEN[®]

ENGINEERING COMPANY INC.

Route 145, Winthrop Road,
Chester, Connecticut 06412

Phone: (860) 526-9504

Fax: (860) 526-4078

Internet: www.whelen.com

Sales e-mail: autosale@whelen.com

Canadian Sales e-mail: autocan@whelen.com

Customer Service e-mail: custserv@whelen.com

Installation Guide: SA122DB (Aluminum)

SP122DB (Plastic)

Siren Speaker

95-97 Explor (V-6 engine ONLY)

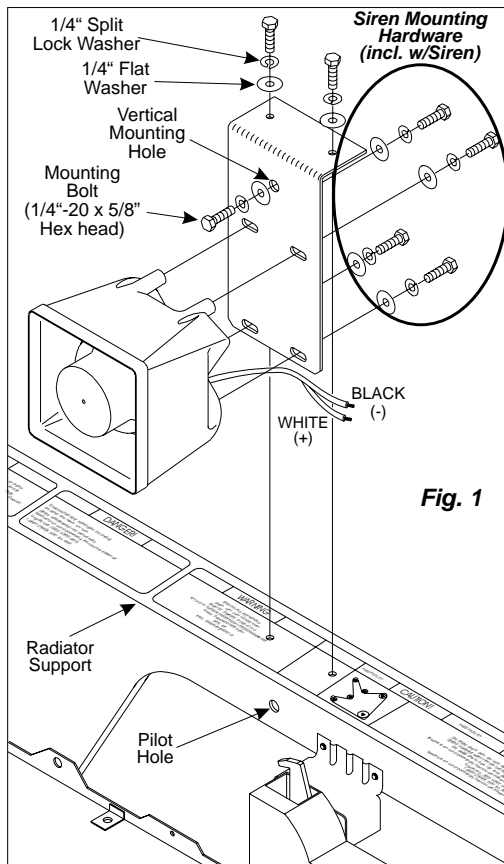


Fig. 1

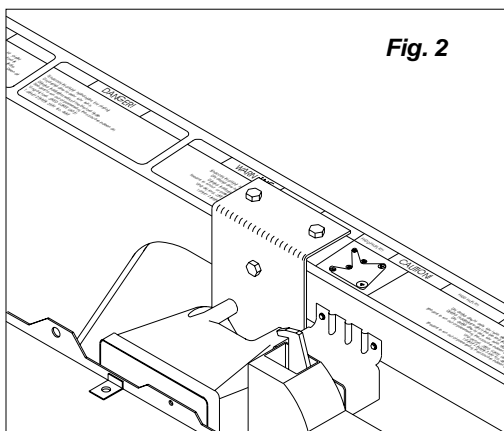


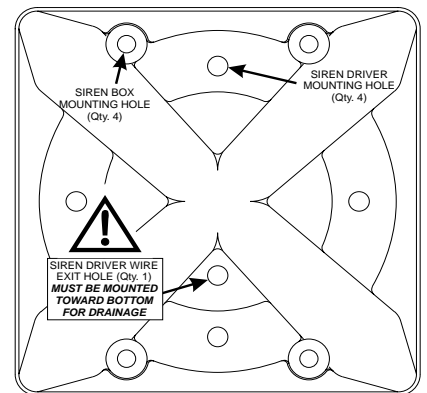
Fig. 2

Mounting...

1. Open the hood and locate the black plastic panel that covers the area between the top of the grill and the radiator support. Remove the screws that secure this panel in place and remove the panel from the vehicle.
2. Remove both the Left and Right headlight assemblies from the vehicle.
3. Remove the grill mounting hardware and remove the grill from the vehicle.
4. Locate the pilot hole on the radiator support (see Fig. 1). Position the mounting bracket onto the radiator support as shown. Align the vertical mounting hole on the bracket with the pilot hole in the radiator support. Using the supplied bolt, secure the mounting bracket tightly to the radiator support. Using the bracket as a template, drill two 7/32" holes into the support through the holes in the top of the bracket.
5. Remove the bracket from the vehicle. Mount the speaker box to the mounting bracket as shown, using the hardware supplied with the siren box. Return the Siren/Bracket assembly to its mounting location, via the open grill area.
6. Using the hardware included with the mounting bracket, mount the bracket/siren box to the vehicle as shown below (Fig. 2). **Note:** When mounting the bracket to the vehicle, do not allow the speaker wires to be positioned between the bracket and the radiator support.
7. Extend the WHITE (Positive) and BLACK (Negative) speaker wires to your siren amplifier and connect as outlined in the siren amplifier's instruction sheet.
8. Return all components to their original location. **Note:** If the installed speaker box contacts the installed grill, it will be necessary to notch the grill at the point(s) of contact in order to gain clearance (approx. 1/8") between these two components.

WARNING: For drainage purposes, both the speaker box's wire passage hole and the siren drivers weep hole must be located in the "6 o'clock" (closer to the road) position for proper mounting (See Fig. 3). Improper mounting will not only result in driver failure, but will also void the product warranty.

Fig. 3



CAUTION

Loud siren noise
Can cause
Hearing loss.
Minimize exposure.
Close windows when using.

Parts List for Kit BKGEX96

Qty	Description	Part Number
1	Siren Mounting Bracket	07-262337-000
3	1/4" - 20 x 5/8" SS Hex Head Thread-forming Screw	
3	1/4" SS Split Lockwasher	
3	1/4" SS Flat Washer	

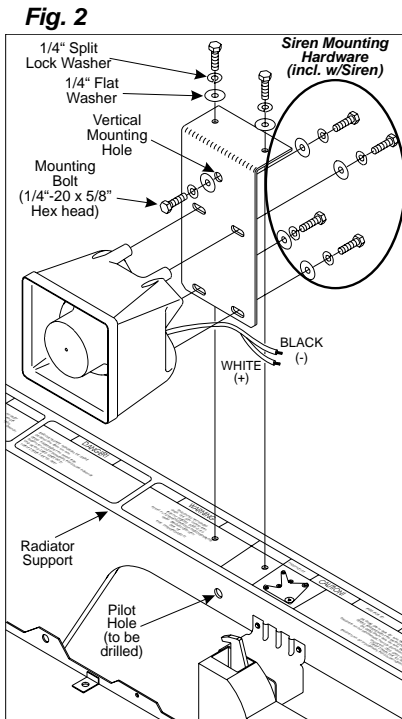
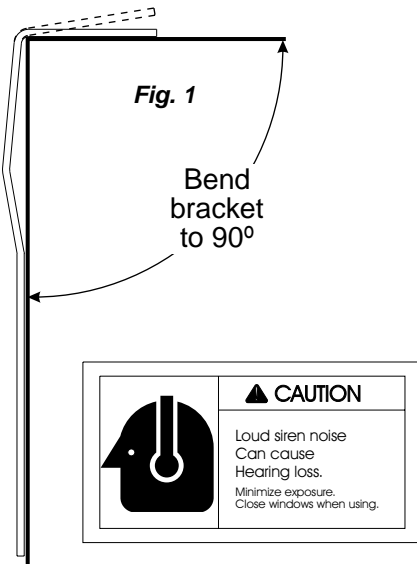
WHELEN[®]

ENGINEERING COMPANY INC.

Route 145, Winthrop Road,
 Chester, Connecticut 06412
 Phone: (860) 526-9504
 Fax: (860) 526-4078
 Internet: www.whelen.com
 Sales e-mail: autosale@whelen.com
 Canadian Sales e-mail: autocan@whelen.com
 Customer Service e-mail: custserv@whelen.com

Installation Guide: SA122DB (Aluminum) SP122DB (Plastic) Siren Speaker 1997 F-150

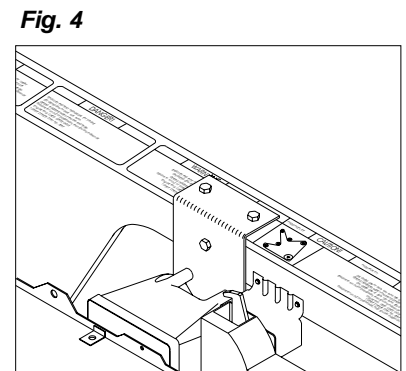
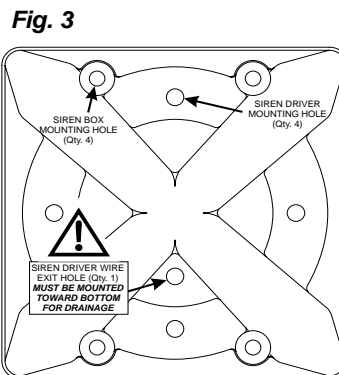
Automotive: Sirens/Switches



Mounting...

1. Open the hood and locate the black plastic panel that covers the area between the top of the grill and the radiator support. Remove the screws that secure this panel in place and remove the panel from the vehicle.
2. Remove both the Left and Right headlight assemblies from the vehicle.
3. Remove the grill mounting hardware and remove the grill from the vehicle.
4. Using a vise, bend the horizontal plane of the bracket so it is 90° from the lower portion of the vertical plane of the bracket (Fig. 1).
5. Position the siren bracket onto the radiator support in the area shown in Fig. 2. Using a 7/32" drill bit, carefully drill through the vertical mounting hole and into the radiator support. Using the supplied hardware, secure the mounting bracket tightly to the radiator support. Using the bracket as a template, drill two 7/32" holes into the support through the holes in the top of the bracket.
6. Remove the bracket from the vehicle. Mount the speaker box to the mounting bracket as shown, using the hardware supplied with the siren box. Return the Siren/Bracket assembly to its mounting location, via the open grill area.
7. Using the hardware included with the mounting bracket, mount the bracket/siren box to the vehicle as shown (Fig. 4). **Note:** When mounting the bracket to the vehicle, do not allow the speaker wires to be positioned between the bracket and the radiator support.
8. Extend the WHITE (Positive) and BLACK (Negative) speaker wires to your siren amplifier and connect as outlined in the siren amplifier's instruction sheet.
9. Return all components to their original location. **Note:** If the installed speaker box contacts the installed grill, it will be necessary to notch the grill at the point(s) of contact in order to gain clearance (approx. 1/8") between these two components.

WARNING: For drainage purposes, both the speaker box's wire passage hole and the siren drivers weep hole must be located in the "6 o'clock" (closer to the road) position for proper mounting (See Fig. 3). Improper mounting will not only result in driver failure, but will also void the product warranty.



Parts List for Kit BKGEX96

Qty	Description	Part Number
1	Siren Mounting Bracket	07-262337-000
3	1/4" - 20 x 5/8" SS Hex Head Thread-forming Screw	
3	1/4" SS Split Lockwasher	
3	1/4" SS Flat Washer	