

Route 145, Winthrop Road  
Chester, Ct 06412-0684  
TELEPHONE: (860) 526-9504  
TOLL FREE: 1-800-637-4736  
FACSIMILE: (860) 526-4784

## IS3 SERIES

### STROBE LIGHT BEACONS

**IS3006**, 10-40 VDC, 12-28 VAC, SINGLE FLASH

**IS3010**, 12/24 VOLTS DC, DOUBLE FLASH

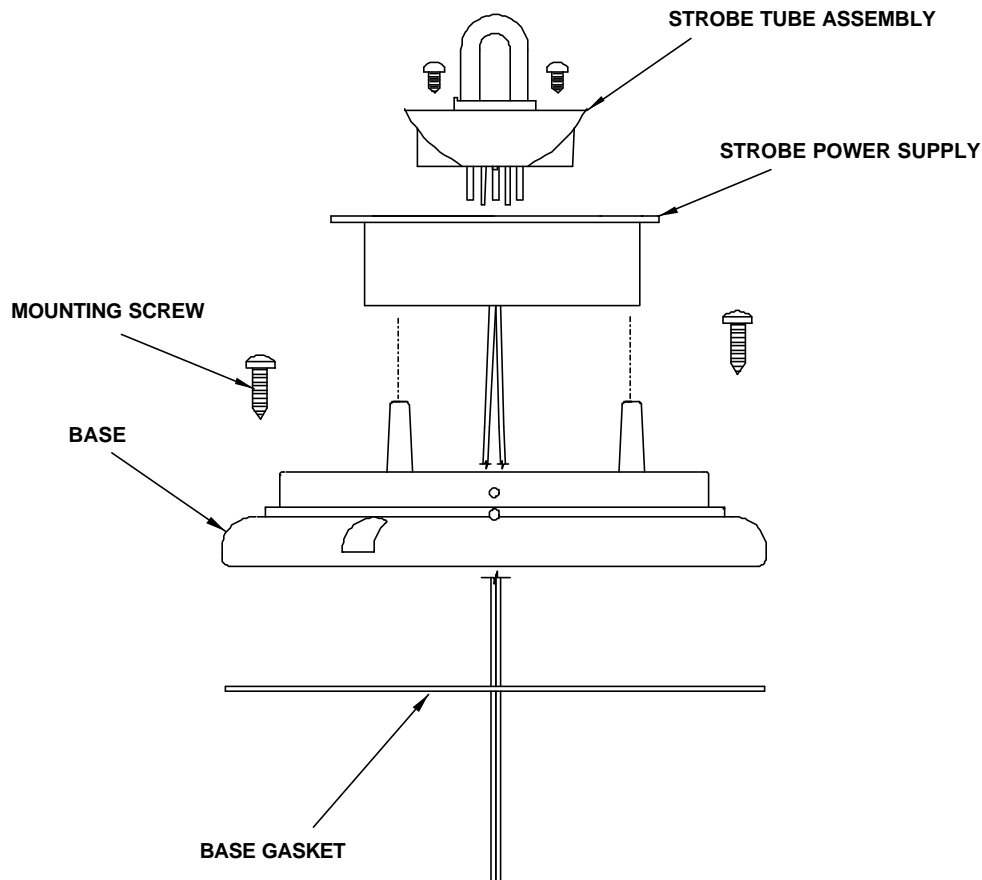
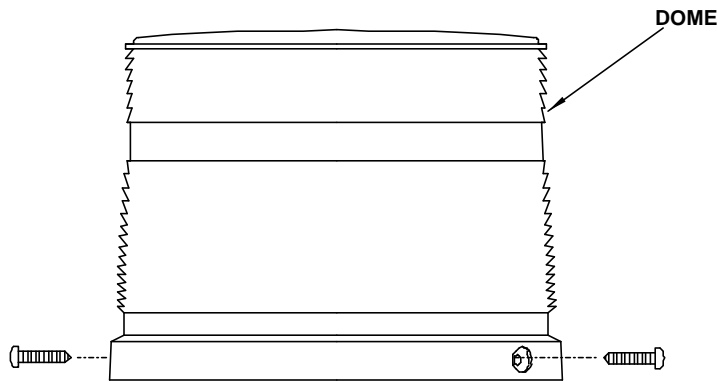
**IS3020**, 12/24 VOLTS DC, DOUBLE FLASH

**IS3210**, 120 VOLTS AC, SINGLE FLASH

**IS3220**, 120 VOLTS AC, DOUBLE FLASH

**IS3240**, 240 VOLTS AC, DOUBLE FLASH

### REPLACEMENT PARTS FOR IS3 SERIES STROBES



SEE OTHER SIDE OF PAGE FOR REPLACEMENT PARTS LISTING.

**WARNING...**  
DISCONNECT THE POWER SOURCE AND **WAIT 10 MINUTES** BEFORE INSTALLING OR SERVICING THE STROBE LIGHT.

ITEM	QTY	PART NUMBER	IS3010	IS3020	IS3210	IS3220	IS3240	IS3006
DOME, HIGH PROFILE, AMBER	1	68-2180483-10	■	■	■	■	■	■
DOME, HIGH PROFILE, BLUE	1	68-2180483-20	■	■	■	■	■	■
DOME, HIGH PROFILE, CLEAR	1	68-2180483-30	■	■	■	■	■	■
DOME, HIGH PROFILE, GREEN	1	68-2180483-40	■	■	■	■	■	■
DOME, HIGH PROFILE, RED	1	68-2180483-50	■	■	■	■	■	■
DOME, LOW PROFILE, AMBER	1	68-2180452-10	■	■	■	■	■	■
DOME, LOW PROFILE, BLUE	1	68-2180452-20	■	■	■	■	■	■
DOME, LOW PROFILE, CLEAR	1	68-2180452-30	■	■	■	■	■	■
DOME, LOW PROFILE, GREEN	1	68-2180452-40	■	■	■	■	■	■
DOME, LOW PROFILE, RED	1	68-2180452-50	■	■	■	■	■	■
STROBE TUBE ASSEMBLY KIT	1	01-0441566-00	■		■			■
STROBE TUBE ASSEMBLY KIT	1	01-0441567-00		■		■	■	
POWER SUPPLY ASSEMBLY	1	02-0167214-00	■					
POWER SUPPLY ASSEMBLY	1	02-0167204-00		■				
POWER SUPPLY ASSEMBLY	1	02-0167273-00			■			
POWER SUPPLY ASSEMBLY	1	02-0167163-00				■		
POWER SUPPLY ASSEMBLY	1	02-0168643-00					■	
POWER SUPPLY ASSEMBLY	1	02-0168568-00						■

## WIRING INSTRUCTIONS

### MODELS IS3006, IS3010 and IS3020

NOTE: A fuse is recommended in the Positive (+) line wire (RED wire).

**Model IS3006:** 3 amp fuse is recommended.

**Model IS3010:** 3 amp fuse is recommended.

**Model IS3020:** 6 amp fuse is recommended.

1. Connect the RED wire to positive DC volts (+).
2. Connect the BLACK wire to DC ground (-).

(For AC powered IS3006 polarity does not matter.)

### MODELS IS3210 and IS3220

1. Connect the GREEN wire to the AC service green wire (ground).
2. Connect the BLACK wire to the AC service black wire (hot).
3. Connect the WHITE wire to the AC service white wire (neutral).

NOTE: A fuse may be used in the AC Hot wire.

**Model IS3210:** 1 amp fuse is recommended.

**Model IS3220:** 2 amp fuse is recommended.

### MODELS IS3240

1. Connect the GREEN wire to the AC service green wire (ground).
2. Connect the BLACK wire and the WHITE wire to the AC service.

## MOUNTING INSTRUCTIONS

### 1" PIPE MOUNT.

The IS3 series strobe beacon features a combination base which may be used for either 1 Inch (NPT) Pipe Mount or Permanent Mount/.

The threading for the 1" NPT is precast in the base.

1. Feed the power cable through the 1 inch pipe and connect the cable to the wires of the IS3 .

2. Screw the strobe beacon to the threads on the 1" pipe, taking precaution not to damage the wires.

**Note:** Do not damage the pipe threads on the polycarbonate base by over tightening.

### PERMANENT MOUNT

1. Use the base as a template and mark the three mounting holes on the mounting surface. After removing the base, mark a wire access hole in the center of the three mounting holes.

2. Drill mounting holes in the mounting surface to fit #10 mounting screws supplied with the strobe beacon. drill the wire access hole using a 3/8" drill. Deburr the wire access hole.

3. After connecting the strobe beacon to the power cable, feed the wires through the access hole and place the base (with the gasket, if required) on the mounting surface. Secure the beacon with three #10 screws.