

ROUTE 145, WINTHROP ROAD
CHESTER, CONNECTICUT 06412-0684
TELEPHONE: (860) 526-9504
FAX: (860) 526-4078

MOUNTING THE UNIT:

The RB6 Series Beacons have a universal base that may be mounted in one of two ways. These lights are designed to be mounted in a normal dome up position. If mounted in an inverted position, seal the wire exit hole and any mounting holes with silicone seal.

1 INCH N.P.T. PIPE MOUNT:

1. Feed your power wires through the pipe.
2. Connect the power wires to the wires from the light.
RED to POSITIVE (+) BLACK to NEGATIVE (-).
3. Screw the beacon onto the pipe, being careful not to pinch or strain the wires. *Hand tighten* the unit onto pipe.

PERMANENT SURFACE MOUNT: (TAMPER RESISTANT)

NOTE: It will be necessary to remove the dome in order to use this mounting style. The illustration shows the top of the frame and the bulbs removed to show where the mounting holes are located. It is not necessary to remove them for this operation.

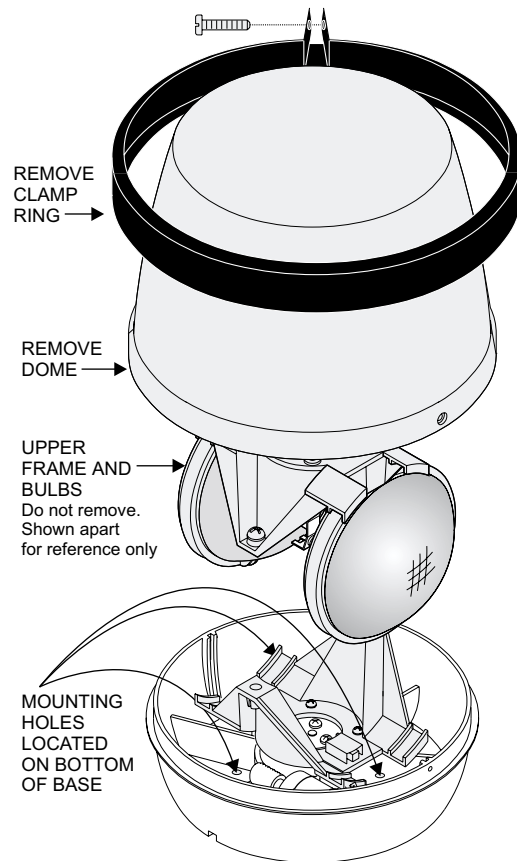
1. Remove the clamp ring fastening the dome to the base and remove the dome.
2. With an appropriately sized drill, open the three mounting holes located around the inside perimeter of the base. Be sure to remove any shavings caused by this operation.
3. Using the base as a template, mark the location of the three mounting holes onto the mounting surface. The wire access hole should be drilled in the exact center of the base.
4. Drill the starter holes for the mounting screws into the mounting surface with an appropriately sized drill. **NOTE:** Be very careful choosing a drill bit for these holes as the mounting screws must thread into them to hold the beacon onto the mounting surface. Drill the wire access hole with a 1/4 inch drill. Deburr all holes and it is recommended that you install a rubber grommet (customer supplied) to protect the wires.
5. Feed the wires through the wire access hole in the base gasket, and the mounting surface.
6. Align the mounting holes in the base, gasket, and mounting surface. Fasten with the 3 mounting screws supplied. (ITEM 13)
7. Connect the wires from the beacon to your power wires.
RED or WHITE to POSITIVE (+) BLACK to NEGATIVE (-).

WARNING: THIS UNIT IS POLARITY SENSITIVE.

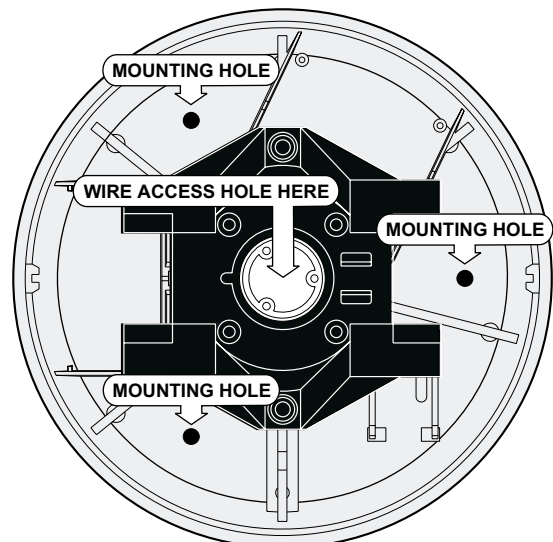
NOTE: Fuse the positive wire with an appropriate fuse.

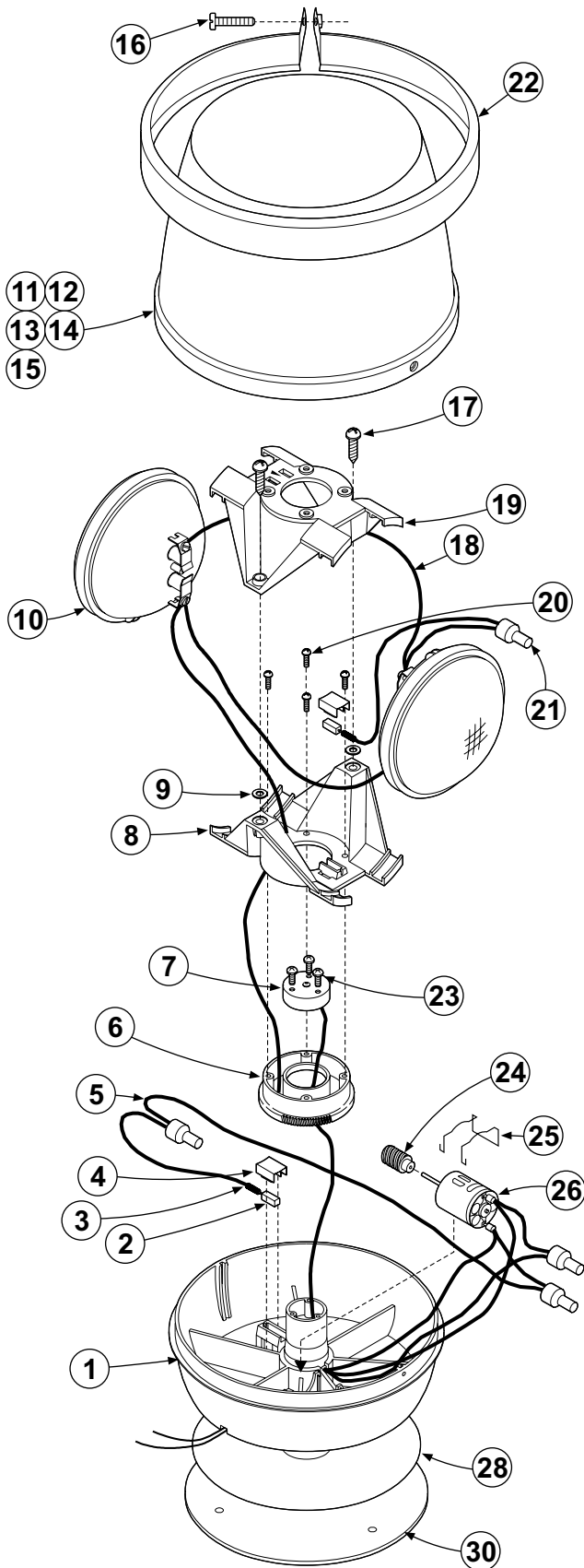
WARNING: All customer supplied wires that connect to the positive (+) terminal of the battery must be sized to supply at least 125% of the maximum operating current and fused at the battery to carry that load.

IMPORTANT: Do not install bulbs exceeding 38 watts.



TOP VIEW INSIDE BOTTOM OF BASE





QTY.	ITEM	PART NUMBER	DESCRIPTION
*	-	01-0681967-()	FINAL ASSEMBLY / 12 VOLT
1	1	11-381574-000	BASE HOUSING
2	2	27-1041387-00	BRUSH
2	3	23-1321220-00	SPRING
2	4	11-761367-000	SNAP ON COVER
1	5	67-1011800080	18 GA. BLACK WIRE / STRIPPED / 8"
1	6	02-0341506-00	WORM WHEEL ASSEMBLY
1	7	02-0341507-00	CAP ASSEMBLY
1	8	06-281625-000	FRAME
2	9	16-0021380-00	NYLON WASHER .196 ID. X .375 OD. X .032
2	10	34-0712040-20	PAR-36 12V / HALOGEN / CLEAR #H-7600
A/R	11	68-4161381-10	LENS / AMBER
A/R	12	68-4161381-20	LENS / BLUE
A/R	13	68-4161381-30	LENS / CLEAR
A/R	14	68-4161381-40	LENS / GREEN
A/R	15	68-4161381-50	LENS / RED
1	16	15-101416-120	SCREW #10 X 3/4" PPHSMS TYPE A
2	17	15-211416-162	#14 X 1" PAN HEAD "A" POINT SMS
1	18	02-0241505-00	WIRING HARNESS
1	19	06-281625-001	FRAME / DRILLED
4	20	15-065419-070	#6 X 7/16" P.P.H. PLASTI-LOK
4	21	25-0910223-03	BUTT TERMINAL / #NP5115 22-14
1	22	19-261465-000	CLAMP RING
3	23	15-045410-060	#4 X 3/8" PPH PLASTI-LOC
1	24	27-0841396-00	WORM GEAR
1	25	19-141398-000	BAIL STRAP / RETAINER
1	26	27-0261495-02	MOTOR ASSY. / 12 VOLTS
1	28	38-0141549-00	BASE DECAL
1	30	38-0241504-00	GASKET
A/R	31	01-2861506-00	KIT / MAGNET MOUNT
A/R	32	01-2861522-00	KIT / MIRROR MOUNT
3	33	15-101416-100	#10 X 5/8" P.P.H. SHEET METAL SCREW

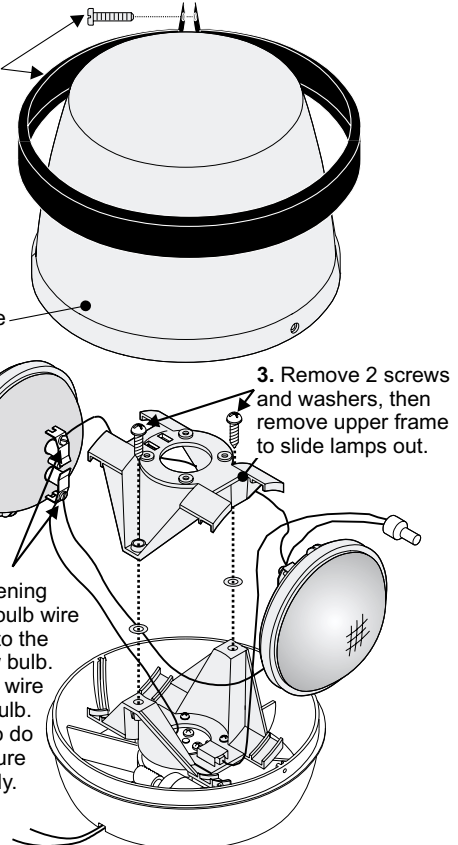
1. First remove the clamp ring screw and then the clamp ring.

HALOGEN BULB REPLACEMENT

2. Remove the optic dome

NOTE: the bulbs have a "locating boss" on the outside of the lens. It *must* face toward the bottom of the beacon.

4. Disconnect one wire from the first bulb by loosening the screw located on the bulb wire terminal, then connect it to the same terminal on the new bulb. Do the same for the other wire and repeat for the other bulb.
NOTE: It is a good idea to do one wire at a time to be sure you hook them up correctly.



The outer surfaces of this product may be cleaned with mild soap and water. Use of any other chemicals may void product warranty. Do not use a pressure washer.