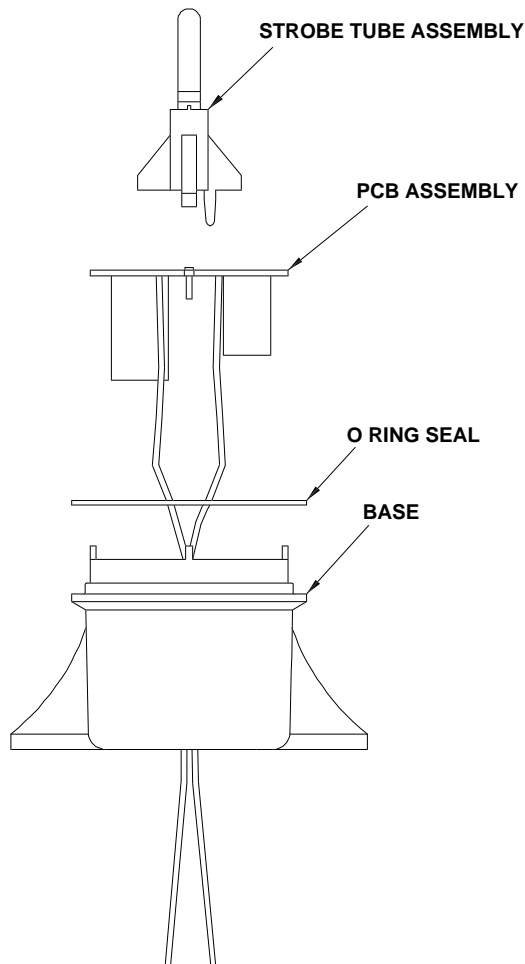
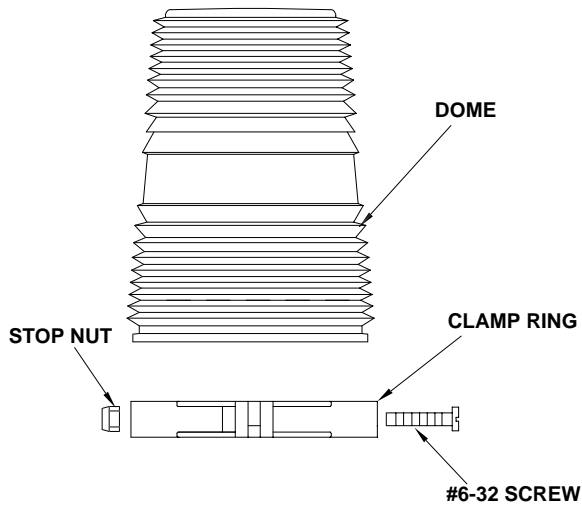


Route 145, Winthrop Road
Chester, CT 06412-0684
TELEPHONE: (860) 526-9504
TOLL FREE: 1-800-637-4736
FACSIMILE: (860) 526-4784

IS1 SERIES MICRO SIZE STROBE BEACONS

IS1224P, 12-48 VDC, PIPE MOUNT
IS1120P, 120 VAC, PIPE MOUNT
IS1224S, 12-48 VDC, SURFACE MOUNT
IS1120S, 120 VAC, SURFACE MOUNT
IS124CP, 12-48 VDC, CAST, PIPE MOUNT



SEE OTHER SIDE OF PAGE FOR
REPLACEMENT PARTS LISTING.

WARNING ALWAYS
DISCONNECT POWER
BEFORE SERVICING OR
INSTALLING AN IS1
SERIES BEACON.

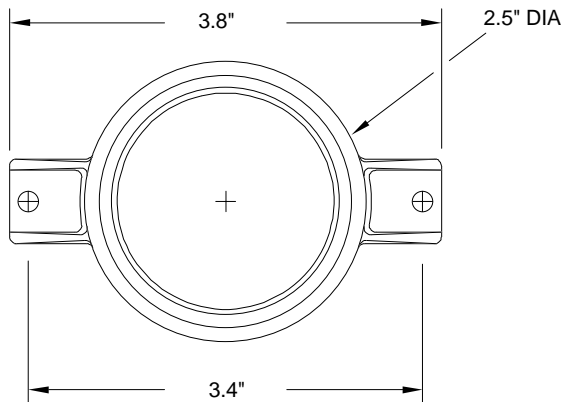
IS1 SERIES REPLACEMENT PARTS LISTING

DESCRIPTION	QTY.	PART NUMBER
STROBE TUBE ASSEMBLY	1	01-0441319-00
DOME, AMBER	1	68-2130024-10
DOME, BLUE	1	68-2130024-20
DOME, CLEAR	1	68-2130024-30
DOME, GREEN	1	68-2130024-40
DOME, RED	1	68-2130024-50
O RING SEAL, PLASTIC BASE	1	38-0416442-00
GASKET, CAST BASE	1	38-0230104-00

MOUNTING INSTRUCTIONS

The IS1 Series Beacons are made for permanent surface mount or pipe mount on a 1/2" NPT thread.

SURFACE MOUNT, PLASTIC BASE



1. Locate the wires in the wire slot and mount with two screws. Make sure that the wires are in the wire slot and not pinched under the Base.

PIPE MOUNT (Internal Thread)

1. Feed the power wires through the pipe.
2. Wire according to the WIRING instructions.
3. Screw the base onto the 1/2" NPT pipe and hand tighten.

WIRING INSTRUCTIONS

MODELS IS1224P and IS1224S MODEL IS124CP

1. Connect the RED wire to the positive DC voltage (+).
2. Connect the BLACK wire to DC ground (-).

MODELS IS1120P and IS1120S

1. Connect the BLACK wire to the AC hot wire.
2. Connect the WHITE wire to the AC return wire.

Refer to the IS1 Series Product Sheet for current draw to determine the proper wire gauge.

STROBE TUBE REPLACEMENT

1. Turn off power and wait 10 minutes.
2. Loosen the clamp ring screw and remove the dome. Save the O Ring.
3. Press the tabs together on the Strobe Tube Assembly and firmly pull the assembly out of the PCB assembly. Do not pull the PCB Assembly away from the Base.
4. Snap the replacement Strobe Tube Assembly into the PCB Assembly. Roll the O Ring down the Base, to get it in position. Position the Dome and secure the clamp ring.