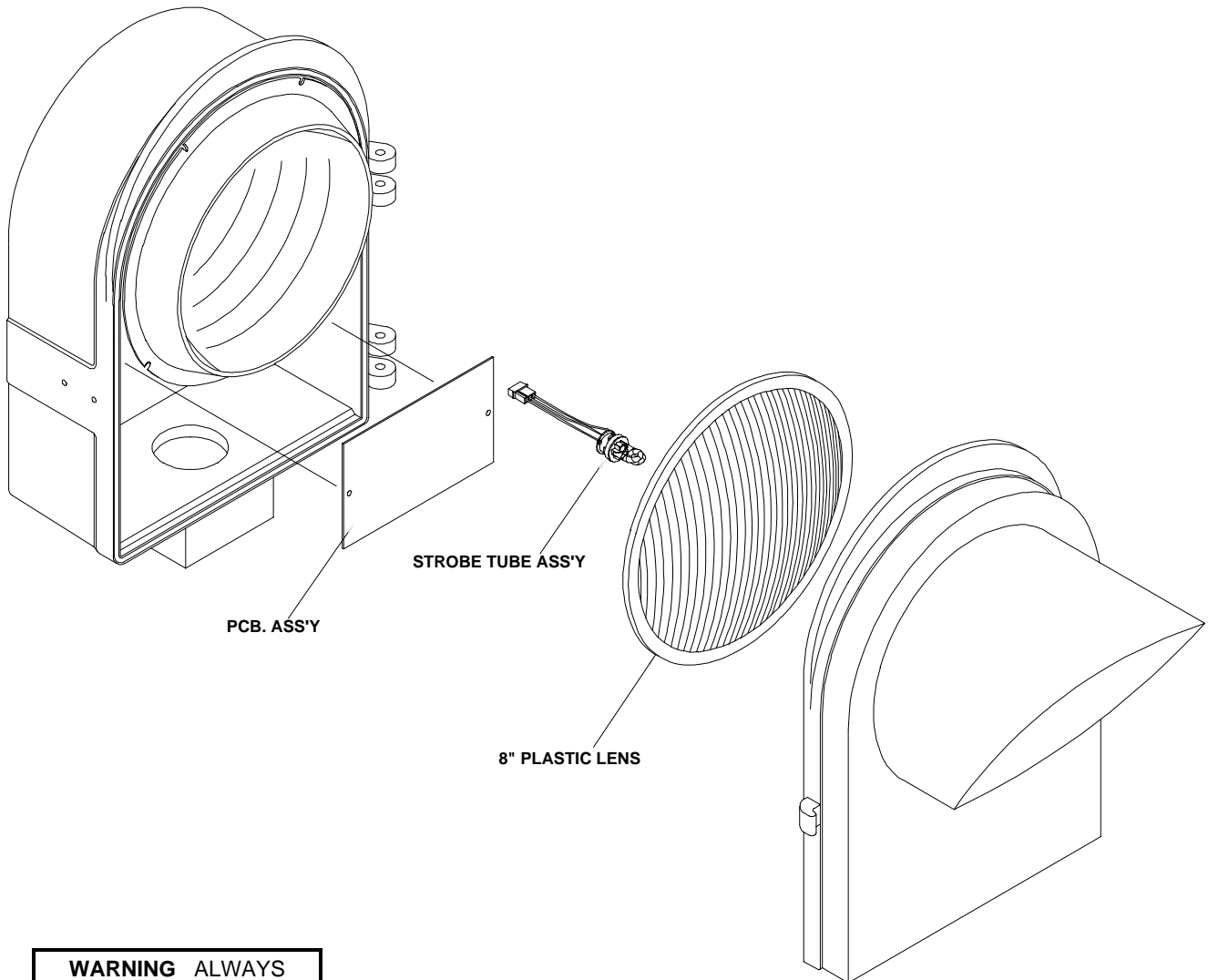


Route 145, Winthrop Road
Chester, CT 06412-0684
TELEPHONE: (860) 526-9504
TOLL FREE: 1-800-637-4736
FACSIMILE: (860) 526-4784

72000 SERIES BARRICADE BEACONS

72120S, 120 VAC, STROBE
72024S, 12-24 VDC, STROBE



WARNING ALWAYS
DISCONNECT POWER
BEFORE SERVICING OR
INSTALLING A
BARRICADE BEACON.

**SEE OTHER SIDE OF PAGE FOR
REPLACEMENT PARTS LISTING.**

REPLACEMENT PARTS LISTING FOR 72000 SERIES BEACONS

DESCRIPTION	QTY.	PART NUMBER	72120S	72024S		
STROBE TUBE ASSEMBLY	1	01-0461281-00	■	■		
120 VAC PCB ASSEMBLY	1	02-0168145-00	■			
12-24 VDC PCB ASSEMBLY	1	02-0168162-00		■		

MOUNTING & WIRING INSTRUCTIONS

The 72000 Series of Barricade Beacons are designed for mounting to a round pipe. The inside diameter of the pipe mount, on the housing, is 2.4".

1. Feed the power source cable through the pipe. Feed the control wires (if used) through the pipe.
2. Mount the Beacon to the pipe. Tighten the Set Screws.
3. Wire the Beacon power according to the Model type.

MODEL 72120S

1. Connect the GREEN wire to the AC service green wire (ground).
2. Connect the BLACK wire to the AC service black wire (hot).
3. Connect the WHITE wire to the AC service white wire (neutral).

MODEL 72024S

1. Connect the RED wire to the positive DC voltage (+).
2. Connect the BLACK wire to the DC ground (-).
4. Connect control wires (contact closures) to the ORANGE and GRAY wires. Connect the ORANGE wire to the GRAY wire, if external controls are not being used.

STROBE TUBE REPLACEMENT

1. Disconnect power. Wait 10 minutes for the power supply to discharge. Use **caution** when opening the spring loaded latch.
2. Disconnect the three conductor, white plug from the power supply printed circuit board to the strobe tube assembly.
3. Twist the tube counter clockwise to remove. **Do not** grab the glass strobe tube. A plastic replacement tool is provided.
4. Insert the new strobe tube. Twist clockwise to lock in place. Connect the three conductor plug to the power supply board.
5. Latch the cover closed. Turn on the power.