

CEDA Industrial Park, Charlestown, New Hampshire 03603

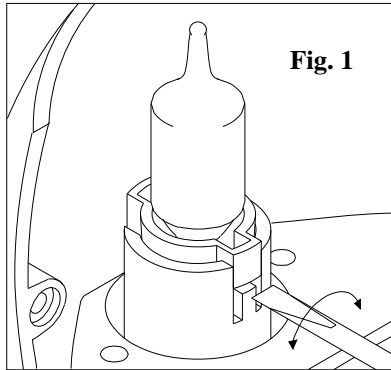
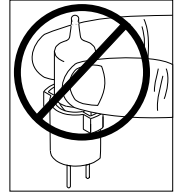


Fig. 1

**CAUTION!** Replacing any halogen bulb requires the use of safety glasses to prevent injury.

**CAUTION!** Do not handle the bulb with bare hands. Use gloves to prevent possible injury.



*To replace the bulb in a brushless, rotating lamp....*

1. Be sure the power to the lamp is turned off.
2. Insert a small, flat-blade screwdriver into the space between the snap-in bulb holder and the bulb alignment tab.
3. Gently rotate the screwdriver as shown in Fig. 1. Repeat this action until the bulb is loose.
4. Pull the bulb in an upward direction until it is free.
5. Insert the alignment tab of the new bulb into the bulb holder and press downwards to lock the new bulb into place.

©1995 Austin Electronics Company.  
Form No.13089 (121995)

CEDA Industrial Park, Charlestown, New Hampshire 03603

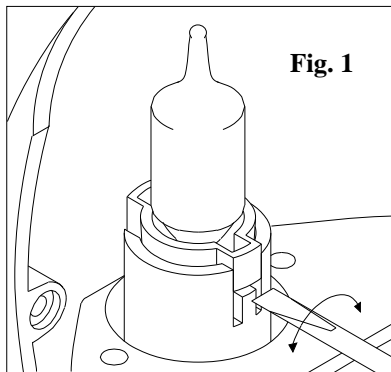


Fig. 1

**CAUTION!** Replacing any halogen bulb requires the use of safety glasses to prevent injury.

**CAUTION!** Do not handle the bulb with bare hands. Use gloves to prevent possible injury.



*To replace the bulb in a brushless, rotating lamp....*

1. Be sure the power to the lamp is turned off.
2. Insert a small, flat-blade screwdriver into the space between the snap-in bulb holder and the bulb alignment tab.
3. Gently rotate the screwdriver as shown in Fig. 1. Repeat this action until the bulb is loose.
4. Pull the bulb in an upward direction until it is free.
5. Insert the alignment tab of the new bulb into the bulb holder and press downwards to lock the new bulb into place.

©1995 Austin Electronics Company.  
Form No.13089 (121995)

CEDA Industrial Park, Charlestown, New Hampshire 03603

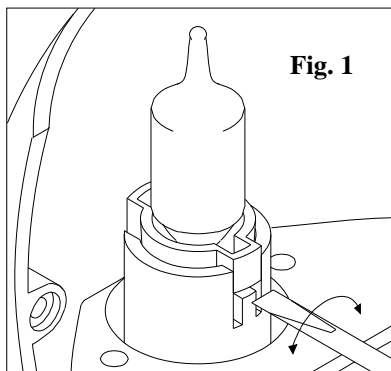
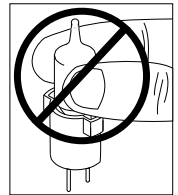


Fig. 1

**CAUTION!** Replacing any halogen bulb requires the use of safety glasses to prevent injury.

**CAUTION!** Do not handle the bulb with bare hands. Use gloves to prevent possible injury.



*To replace the bulb in a brushless, rotating lamp....*

1. Be sure the power to the lamp is turned off.
2. Insert a small, flat-blade screwdriver into the space between the snap-in bulb holder and the bulb alignment tab.
3. Gently rotate the screwdriver as shown in Fig. 1. Repeat this action until the bulb is loose.
4. Pull the bulb in an upward direction until it is free.
5. Insert the alignment tab of the new bulb into the bulb holder and press downwards to lock the new bulb into place.

©1995 Austin Electronics Company.  
Form No.13089 (121995)