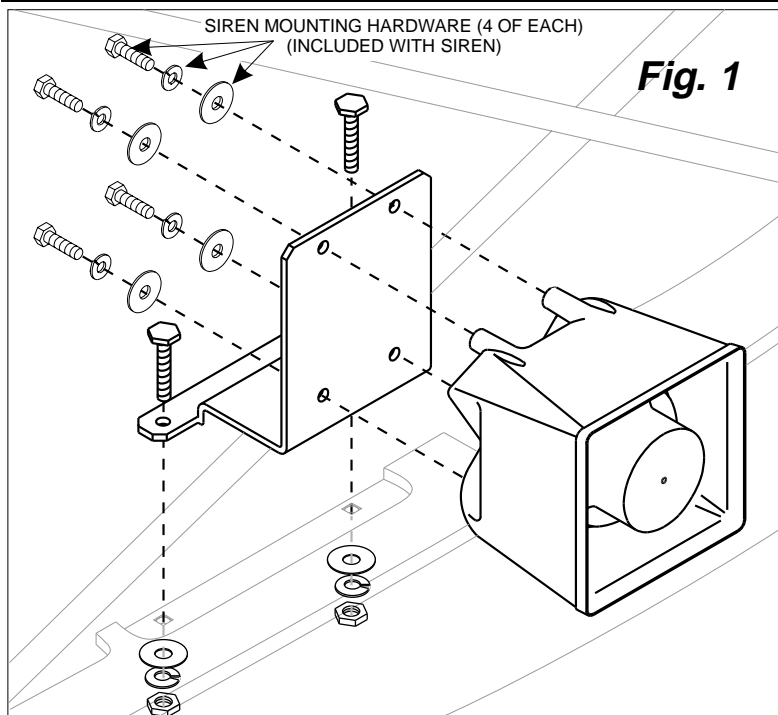


Mounting...

1. Open the hood and locate the two plastic reusable rivets on the top plane of the bumper (*see fig. 1*). These rivets are located on the passenger-side of the hood latch and are situated in a recessed area. Remove these rivets by pulling the rivet head up approximately one half inch. The rivet assembly can now be removed and discarded. Repeat procedure for the second rivet.
2. Mount the siren box to the mounting bracket as shown below using the hardware supplied with the siren box.
3. Using the hardware included with the mounting bracket, mount the bracket/siren box to the vehicle as shown below.
Note: When mounting the bracket to the vehicle, do not allow the speaker wires to be positioned between the bracket and the vehicle.
4. Extend the WHITE (Positive) and BLACK (Negative) speaker wires to your siren amplifier and connect as outlined in the siren amplifier's instruction sheet.
5. After testing the siren for proper operation, slowly close the hood to make sure there is no interference or contact between the grill and any of the newly installed components.

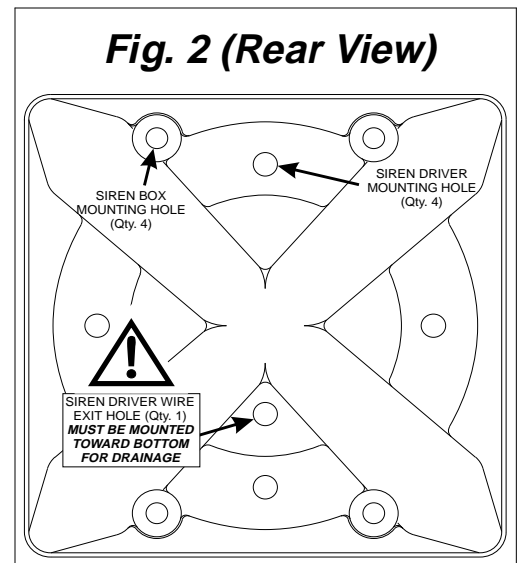
WARNING: For drainage purposes, both the speaker box's wire passage hole and the siren drivers weep hole must be located in the "6 o'clock" (closer to the road) position for proper mounting (See Fig. 2). Improper mounting will not only result in driver failure, but will also void the product warranty.



Parts List For Kit BKBCP96

Qty	Description
1	Bracket
2	5/16" - 18 x 1" SS Hex Head Bolt
2	5/16" - 18 SS Hex Nut
2	5/16" SS Split Lockwasher
2	5/16" SS Flat Washer

Part Number
 07-262310-000



	CAUTION
	Loud siren noise Can cause Hearing loss Minimize exposure Close windows when using

Mounting...

1. Open the hood and locate the two plastic reusable rivets on the top plane of the bumper (*see fig. 1*). These rivets are located on the passenger-side of the hood latch and are situated in a recessed area. Remove these rivets by pulling the rivet head up approximately one half inch. The rivet assembly can now be removed and discarded. Repeat procedure for the second rivet.
2. Mount the siren box to the mounting bracket as shown below using the hardware supplied with the siren box.
3. Using the hardware included with the mounting bracket, mount the bracket/siren box to the vehicle as shown below.
Note: When mounting the bracket to the vehicle, do not allow the speaker wires to be positioned between the bracket and the vehicle.
4. Extend the WHITE (Positive) and BLACK (Negative) speaker wires to your siren amplifier and connect as outlined in the siren amplifier's instruction sheet.
5. After testing the siren for proper operation, slowly close the hood to make sure there is no interference or contact between the grill and any of the newly installed components.



WARNING: For drainage purposes, both the speaker box's wire passage hole and the siren drivers weep hole must be located in the "6 o'clock" (closer to the road) position for proper mounting (See Fig. 2). Improper mounting will not only result in driver failure, but will also void the product warranty.

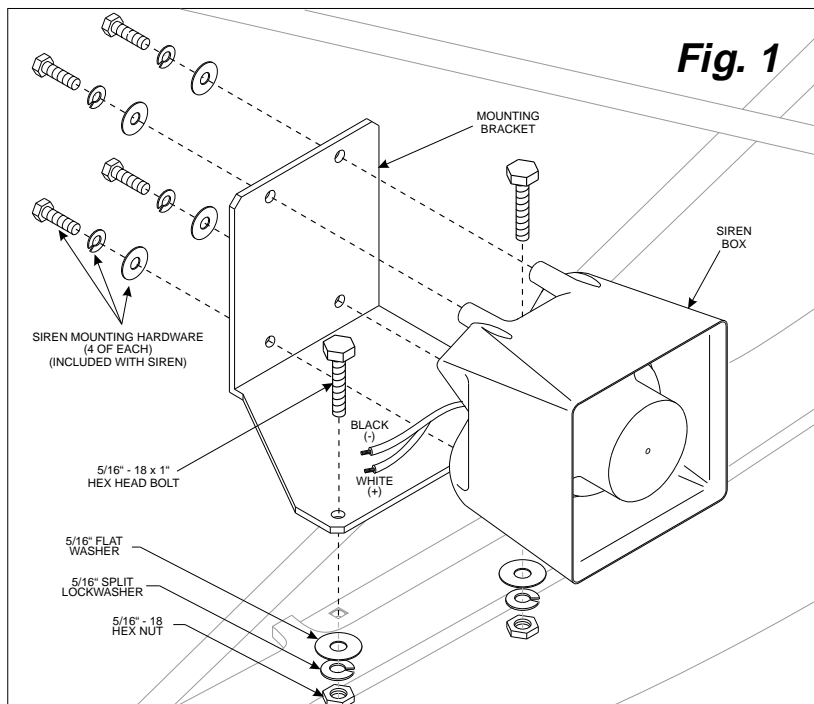


Fig. 1

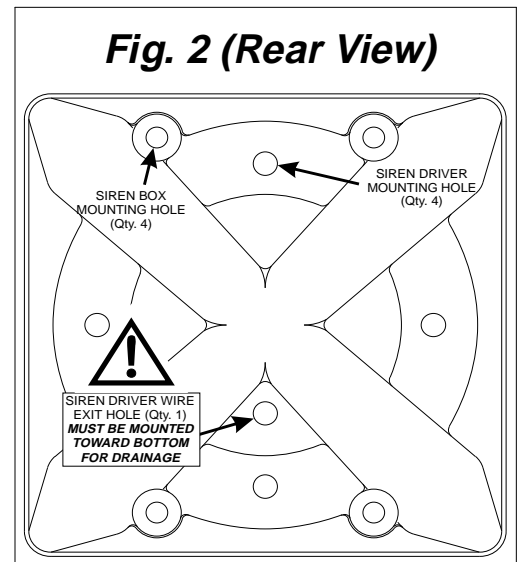
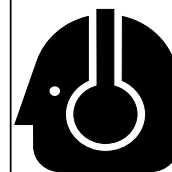


Fig. 2 (Rear View)

Parts List For Kit BKGCP95

Qty	Description
1	Bracket
2	5/16" - 18 x 1" SS Hex Head Bolt
2	5/16" - 18 SS Hex Nut
2	5/16" SS Split Lockwasher
2	5/16" SS Flat Washer

Part Number
 07-262307-000



CAUTION

Loud siren noise
 Can cause
 Hearing loss
 Minimize exposure
 Close windows when using