

WHELEN[®] ENGINEERING COMPANY INC.

Route 145, Winthrop Road,
Chester, Connecticut 06412
Phone: (860) 526-9504
Fax: (860) 526-4078

Internet: www.whelen.com
Sales e-mail: autosale@whelen.com
Canadian Sales e-mail: autocan@whelen.com
Customer Service e-mail: custserv@whelen.com

READ BEFORE INSTALLING!!! Do not install this product or route any wires in the deployment area of your airbag. Equipment mounted or located in the airbag deployment area will damage or reduce the effectiveness of the airbag, or become a projectile that could cause serious personal injury or death. Refer to your vehicle owners manual for the air bag deployment area. The User/ Installer assumes full responsibility to determine proper mounting location, based on providing ultimate safety to all passengers inside the vehicle. Whelen Engineering Co. assumes no liability or responsibility for determining individual applications or exact installation location criteria.

1. Place your vehicle's sun visor in its "down" position.
2. Position the Flatlighter against the windshield side of the visor. (Fig. 1). Be sure to position the power cord between the Flatlighter and the visor.
3. Secure the hook & loop strap on the rear facing side of the visor (Fig. 2).
4. Route the power cord to the vehicle's cigarette lighter so that it is not in the air bag deployment zone.
5. When the cigar cord plug is inserted into the cigarette lighter port, Flatlighter is activated by sliding the power switch on.

WARNING: Do not activate your Flatlighter until its lights are facing out of the vehicle!

CAUTION: Nighttime operation of this product may produce reflected light within the vehicle! Use With Caution!

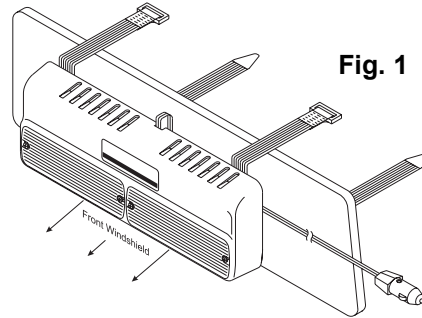
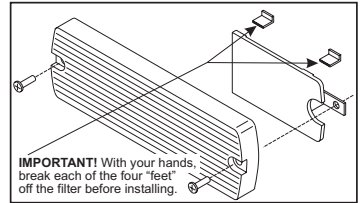
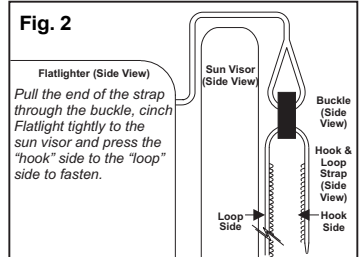


Fig. 1



©1996 Whelen Engineering Company Inc.
Form No.13101F (121406)

For warranty information regarding this product, visit www.whelen.com/warranty

Installation Guide Flatlighter (Visor Mounting)

WHELEN[®] ENGINEERING COMPANY INC.

Route 145, Winthrop Road,
Chester, Connecticut 06412
Phone: (860) 526-9504
Fax: (860) 526-4078

Internet: www.whelen.com
Sales e-mail: autosale@whelen.com
Canadian Sales e-mail: autocan@whelen.com
Customer Service e-mail: custserv@whelen.com

READ BEFORE INSTALLING!!! Do not install this product or route any wires in the deployment area of your airbag. Equipment mounted or located in the airbag deployment area will damage or reduce the effectiveness of the airbag, or become a projectile that could cause serious personal injury or death. Refer to your vehicle owners manual for the air bag deployment area. The User/ Installer assumes full responsibility to determine proper mounting location, based on providing ultimate safety to all passengers inside the vehicle. Whelen Engineering Co. assumes no liability or responsibility for determining individual applications or exact installation location criteria.

1. Place your vehicle's sun visor in its "down" position.
2. Position the Flatlighter against the windshield side of the visor. (Fig. 1). Be sure to position the power cord between the Flatlighter and the visor.
3. Secure the hook & loop strap on the rear facing side of the visor (Fig. 2).
4. Route the power cord to the vehicle's cigarette lighter so that it is not in the air bag deployment zone.
5. When the cigar cord plug is inserted into the cigarette lighter port, Flatlighter is activated by sliding the power switch on.

WARNING: Do not activate your Flatlighter until its lights are facing out of the vehicle!

CAUTION: Nighttime operation of this product may produce reflected light within the vehicle! Use With Caution!

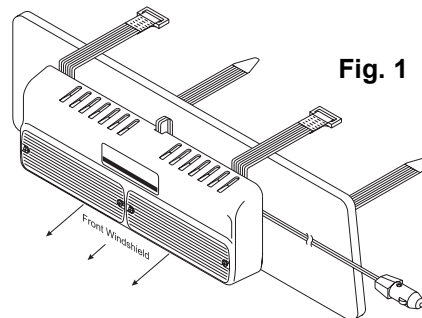
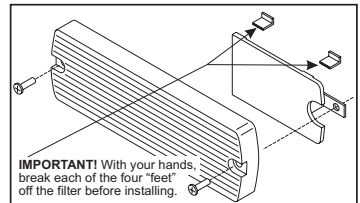
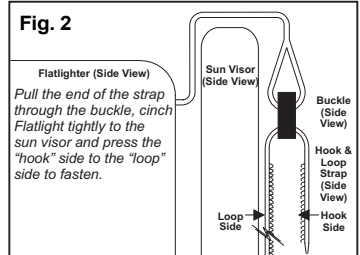


Fig. 1



©1996 Whelen Engineering Company Inc.
Form No.13101F (121406)

For warranty information regarding this product, visit www.whelen.com/warranty

Installation Guide Flatlighter (Visor Mounting)