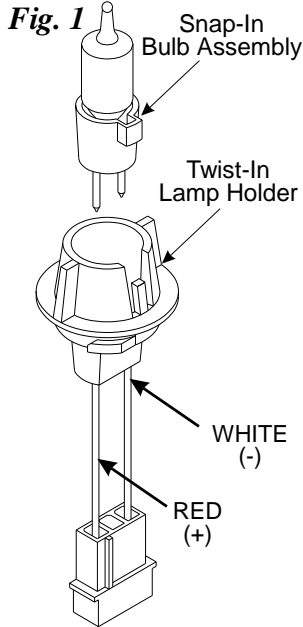
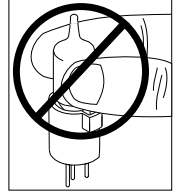


ROUTE 145, WINTHROP ROAD
 CHESTER, CONNECTICUT 06412-0684
 TELEPHONE: (860) 526-9504
 FAX: (860) 526-4078

CAUTION! Replacing any halogen bulb requires the use of safety glasses to prevent injury.
CAUTION! Do not handle the bulb with bare hands. Use gloves to prevent possible injury.

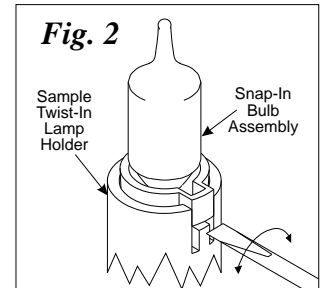


Your new Twist-In Lamp Holder...

This new lamp holder is installed in the same manner as your previous lamp holder. The new lamp wires connect exactly as before. Bulb replacement, however, is performed differently and this procedure is explained below. Please note that the size of some reflectors prevent bulb replacement unless the lamp holder is removed. If the bulb cannot be accessed by a screwdriver, as shown in Fig. 2, remove the lamp holder from the reflector before proceeding with bulb replacement

To replace a Snap-In bulb...

1. Be sure the power to the lamp is turned off.
2. Insert a small, flat-blade screwdriver into the space between the twist-in lamp holder and the lamp assembly.
3. Gently rotate the screwdriver as shown in Fig. 2. Repeat this action until the bulb is loose.
4. Pull the bulb in an upward direction until it is free.
5. Insert the alignment tab of the new bulb into the bulb holder and press downwards to lock the new bulb into place.



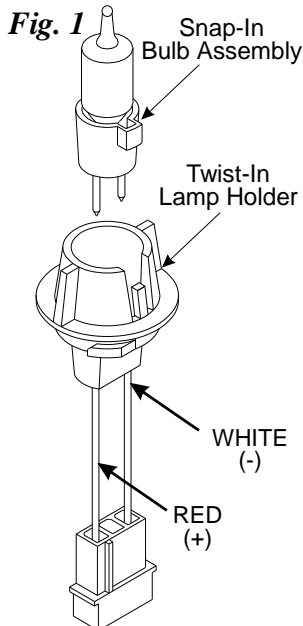
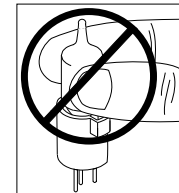
Part Numbers

Twist-In Lamp Holder (no bulb)	SNADAPT
Snap-In Bulb Assembly (20 Watt)	H20SN12

©1996 Whelen Engineering Company.
 Form No. 13114B (110496)

ROUTE 145, WINTHROP ROAD
 CHESTER, CONNECTICUT 06412-0684
 TELEPHONE: (860) 526-9504
 FAX: (860) 526-4078

CAUTION! Replacing any halogen bulb requires the use of safety glasses to prevent injury.
CAUTION! Do not handle the bulb with bare hands. Use gloves to prevent possible injury.

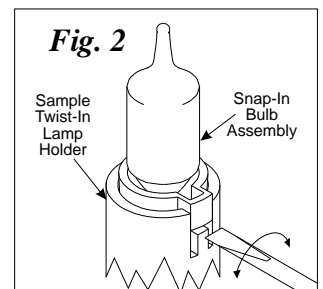


Your new Twist-In Lamp Holder...

This new lamp holder is installed in the same manner as your previous lamp holder. The new lamp wires connect exactly as before. Bulb replacement, however, is performed differently and this procedure is explained below. Please note that the size of some reflectors prevent bulb replacement unless the lamp holder is removed. If the bulb cannot be accessed by a screwdriver, as shown in Fig. 2, remove the lamp holder from the reflector before proceeding with bulb replacement

To replace a Snap-In bulb...

1. Be sure the power to the lamp is turned off.
2. Insert a small, flat-blade screwdriver into the space between the twist-in lamp holder and the lamp assembly.
3. Gently rotate the screwdriver as shown in Fig. 2. Repeat this action until the bulb is loose.
4. Pull the bulb in an upward direction until it is free.
5. Insert the alignment tab of the new bulb into the bulb holder and press downwards to lock the new bulb into place.



Part Numbers

Twist-In Lamp Holder (no bulb)	SNADAPT
Snap-In Bulb Assembly (20 Watt)	H20SN12

©1996 Whelen Engineering Company.
 Form No. 13114B (110496)