

WHELEN[®] ENGINEERING COMPANY INC.

51 Winthrop Road
 Chester, Connecticut 06412-0684
 Phone: (860) 526-9504
 Fax: (860) 526-4078
 Internet: www.whelen.com
 Sales e-mail: autosale@whelen.com
 Canadian Sales e-mail: autocan@whelen.com
 Customer Service e-mail: custserv@whelen.com

Installation Guide:
Grille Mounting Kit
SA122DB Siren Speaker (Aluminum)
SP123DB Siren Speaker (Plastic)
1996 Caprice Classic

DANGER! Sirens produces extremely loud emergency warning tones! Exposure to these tones without proper and adequate hearing protection, could cause ear damage and/or hearing loss! The Occupational Safety & Health Administration (www.osha.gov) provides information necessary to determine safe exposure times in Occupational Noise Exposure Section 1910.95. Until you have determined the safe exposure times for your specific application, operators and anyone else in the immediate vicinity should be required to wear an approved hearing protection device. **FAILURE TO FOLLOW THIS RECOMMENDATION COULD CAUSE HEARING LOSS!**

Safety First

This document provides all the necessary information to allow your Whelen product to be properly and safely installed. Before beginning the installation and/or operation of your new product, the installation technician and operator must read this manual completely. Important information is contained herein that could prevent serious injury or damage.

- Proper installation of this product requires the installer to have a good understanding of automotive electronics, systems and procedures.
- If mounting this product requires drilling holes, the installer **MUST** be sure that no vehicle components or other vital parts could be damaged by the drilling process. Check both sides of the mounting surface before drilling begins. Also de-burr any holes and remove any metal shards or remnants. Install grommets into all wire passage holes.
- If this manual states that this product may be mounted with suction cups, magnets, tape or Velcro™, clean the mounting surface with a 50/50 mix of isopropyl alcohol and water and dry thoroughly.
- Do not install this product or route any wires in the deployment area of your air bag. Equipment mounted or located in the air bag deployment area will damage or reduce the effectiveness of the air bag, or become a projectile that could cause serious personal injury or death. Refer to your vehicle owners manual for the air bag deployment area. The User/Installer assumes full responsibility to determine proper mounting location, based on providing ultimate safety to all passengers inside the vehicle.
- For this product to operate at optimum efficiency, a good electrical connection to chassis ground must be made. The recommended procedure requires the product ground wire to be connected directly to the **NEGATIVE (-)** battery post.
- If this product uses a remote device to activate or control this product, make sure this control is located in an area that allows both the vehicle and the control to be operated safely in any driving condition. **DO NOT ATTEMPT TO ACTIVATE OR CONTROL THIS DEVICE IN A HAZARDOUS DRIVING SITUATION.**
- It is recommended that these instructions be stored in a safe place and referred to when performing maintenance and/or reinstallation of this product.
- **FAILURE TO FOLLOW THESE SAFETY PRECAUTIONS AND INSTRUCTIONS COULD RESULT IN DAMAGE TO THE PRODUCT OR VEHICLE AND/OR SERIOUS INJURY TO YOU AND YOUR PASSENGERS!**

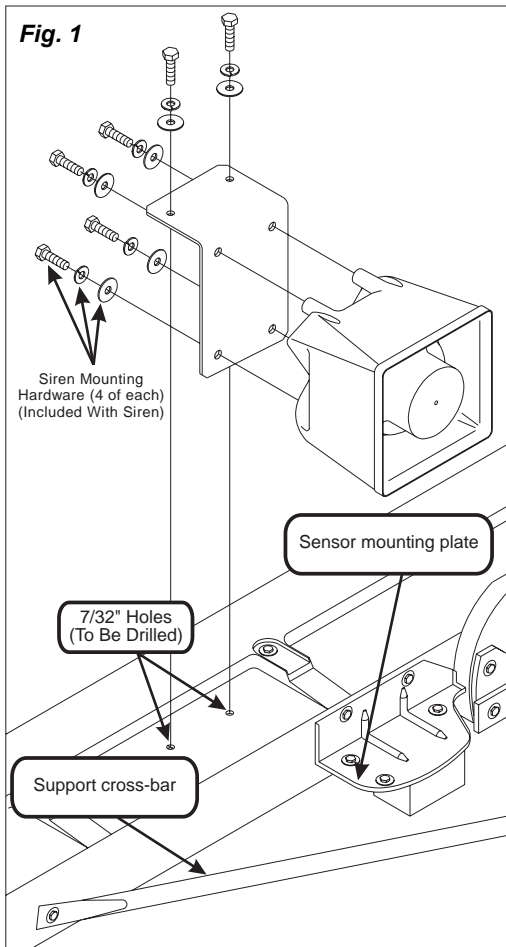
ACTIVATION OF THIS SIREN MAY DAMAGE UNPROTECTED EARS!



CAUTION

Loud siren noise can cause hearing damage and/or loss. Refer to OSHA Section 1910.95 prior to putting ANY siren into service!

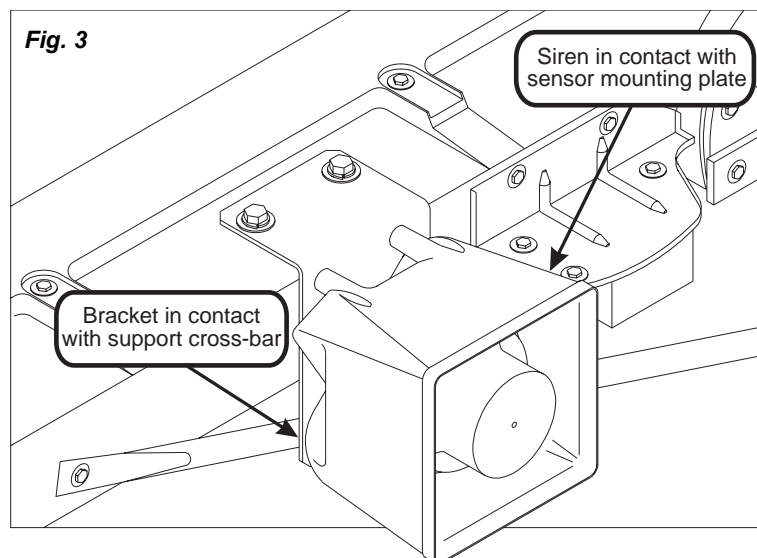
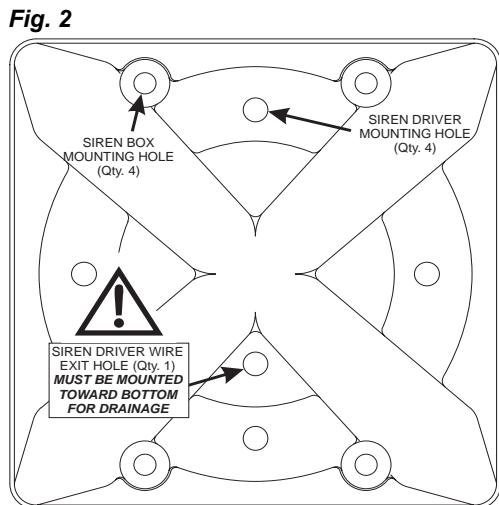
For warranty information regarding this product, visit www.whelen.com/warranty



Mounting...

1. Using the hardware included with your new SA122DB, mount the speaker box to the mounting bracket as shown in Fig. 1.
2. Open the hood and locate the passenger-side area of the radiator support as indicated in Fig. 1. Place the bracket/siren box onto the radiator support as shown. Move the bracket/siren box towards the middle of the support until the siren box contacts the sensor mounting plate. Now make sure that the backside of the bracket (not the siren mounting bolt) is in contact with the support cross-bar (Fig. 3).
3. Using the bracket as a template, drill two 7/32" holes into the support through the holes in the top of the bracket. Do not drill these holes beyond the top surface of the radiator support. Serious damage could result if the drill bit penetrates beyond this top surface!
4. Using the hardware included with the mounting bracket, mount the bracket/siren box to the vehicle as shown below (Fig. 3). **Note:** When mounting the bracket to the vehicle, do not allow the speaker wires to be positioned between the bracket and the radiator support.
5. Extend the WHITE (Positive) and BLACK (Negative) speaker wires to your siren amplifier and connect as outlined in the siren amplifier's instruction sheet. After testing the siren for proper operation, slowly close the hood to make sure there is no interference or contact between the grill and any of the newly installed components.

WARNING: For drainage purposes, both the speaker box's wire passage hole and the siren drivers weep hole must be located in the "6 o'clock" (closer to the road) position for proper mounting (See Fig. 2). Improper mounting will not only result in driver failure, but will also void the product warranty.



Parts List For Kit BKGCP96

Qty	Description	Part Number
1	Siren Mounting Bracket	07-262403-000
2	1/4" - 20 x 5/8" SS Hex Head Thread-forming Screw	
2	1/4" SS Split Lockwasher	
2	1/4" SS Flat Washer (1/4" ID / 3/4" OD x .050" thick)	