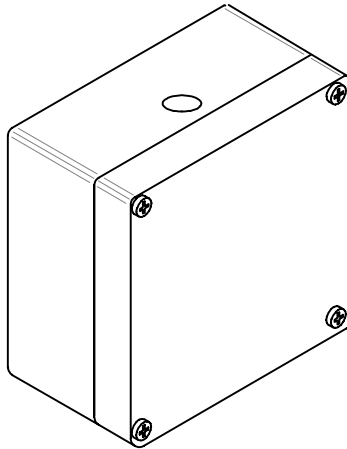


Route 145, Winthrop Road
Chester, CT 06412-0684
TELEPHONE: (860) 526-9504
TOLL FREE: 1-800-637-4736
FACSIMILE: (860) 526-4784

COYOTE SERIES REMOTE AMPLIFIER less SPEAKER

CDA30AC, 115/220 VAC, 30W OUTPUT



SPECIFICATIONS

Voltage:	115/220 VAC, 50/60 Hz
Standby Current:	.04 Amps, typical
Active Current:	.43 Amps, typical
Weight:	6 lbs. (2.7 kg)
Size:	4" x 7" x 7"

Description

The COYOTE™ Series of audible alerting devices are ideally suited for industrial applications where high quality, high output audible warning or paging is required.

The COYOTE™ **Remote Amplifier less Speaker**, Model CDA30AC, is a 30 watt audio amplifier designed to work with a COYOTE™ Central Communications Device, or other audio input. The **Remote Amplifier** boosts the low level input to a high level 25Vrms unbalanced line. The amplified output is suitable for speakers equipped with a 25 volt line transformer. Speakers are not included. The speaker load must not exceed 30 watts.

A **Remote Amplifier** is easy to install and easy to wire. The output power may be adjusted by setting a potentiometer from a very low test level to a full 30 watts.

Installation

A COYOTE™ **Remote Amplifier** does not require any special tools or training to install and operate, however, it must be installed and tested in accordance with all local electrical codes and regulations.

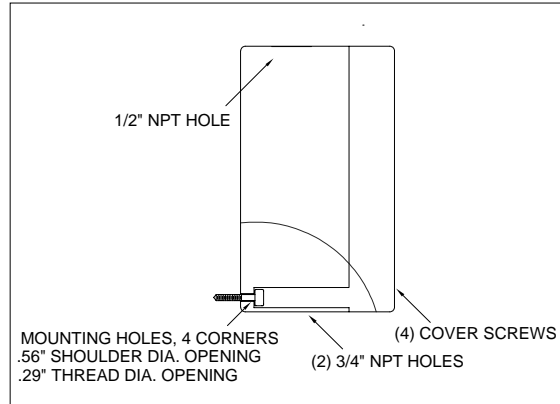
1. Remove four cover screws and remove the cover.
2. Mount the unit to the mounting surface using four appropriate screws (not supplied).

3. Route the AC wiring through the right-hand 3/4" NPT hole in the bottom of the unit. Route the source audio through the left-hand 3/4" NPT hole. (Cable clamps are not supplied).

4. Use wire nuts to connect the AC service. The BLACK wire is Hot, the WHITE wire is Neutral. Connect the service ground to the large brass screw near the knockouts.

5. Connect the audio source wires to the **Paging Input** connector. Set the **Paging Volume Adjust** to mid range.

6. Use wire nuts to connect the amplified **Speaker Audio** output, through the top 1/2" NPT hole, to the



speakers. Set the **Output Volume Control** to a low setting.

CAUTION:
HEARING PROTECTION MAY BE REQUIRED
DURING STEPS 7 AND 8.

7. Apply power. A “pop” may occur on power up. Activate a tone. Check the volume. If the output sounds distorted, lower the **Paging Volume Adjust**. Set the Output Volume by adjusting the **Output Volume Control** potentiometer.

8. Install the cover and test the set up.

