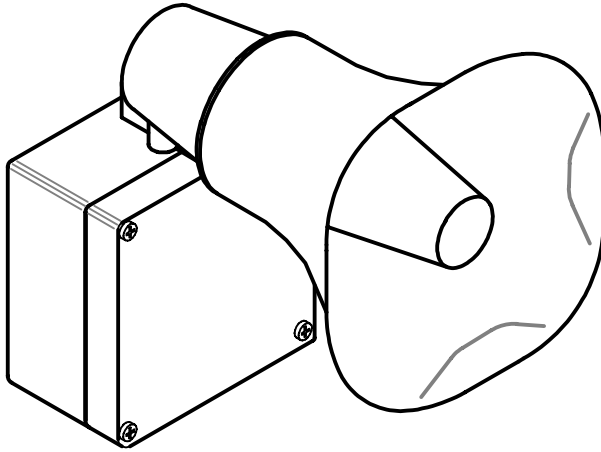


Route 145, Winthrop Road  
Chester, CT 06412-0684  
TELEPHONE: (860) 526-9504  
TOLL FREE: 1-800-637-4736  
FACSIMILE: (860) 526-4784

## COYOTE SERIES REMOTE AMPLIFIER with SPEAKER

CDA30SAC, 115/220 VAC, 30W SPEAKER



### SPECIFICATIONS

Voltage:	115/220 VAC, 50/60 Hz
Standby Current:	.04 Amps, typical
Active Current:	.43 Amps, typical
Weight (w/speaker):	10 lbs. (4.5 kg)

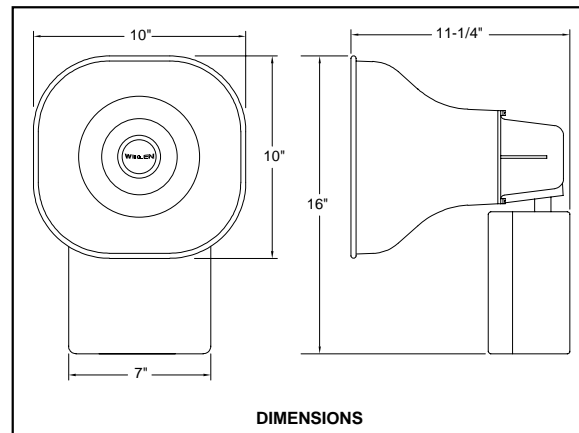
### Description

The COYOTE™ Series of audible alerting devices are ideally suited for industrial applications where high quality, high output audible warning is required.

The COYOTE™ **Remote Amplifier with Speaker** is a 30 watt audio amplifier designed to work with a COYOTE™ Central Communication Device, or other audio input. The **Remote Amplifier** boosts the low level input to a full 30 watt level. Model CDA30SAC is equipped with a 30 watt speaker.

The **Remote Amplifier** is easy to install and easy to wire. The output level may be adjusted by setting a potentiometer from a very low test level to a full 30 watts out.

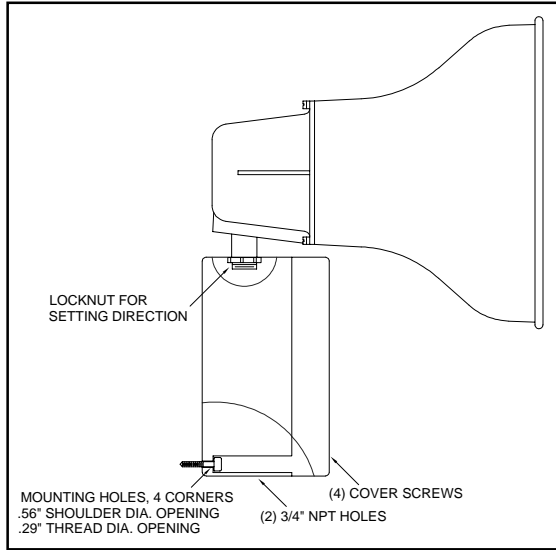
The **Remote Amplifier** is typically wall mounted. The speaker may be rotated to the left or right to direct the sound output. An optional wall bracket is available which allows the unit to pivot down for additional sound control.



### Installation

A COYOTE™ **Remote Amplifier with Speaker** does not require any special tools or training to install and operate, however, it must be installed and tested in accordance with all local electrical codes and regulations.

1. Remove four cover screws and remove the cover.
2. Mount the unit to the mounting surface using four appropriate screws (not supplied). Set the speaker angle, left or right, by loosening the internal Locknut, rotating the speaker and locking the Locknut.



3. Route the AC wiring through the right-hand 3/4" NPT hole in the bottom of the unit. Route the low level audio through the left-hand 3/4" NPT hole. (Cable clamps are not supplied).

4. Use wire nuts to connect the AC service. The BLACK wire is Hot, the WHITE wire is Neutral. Connect the service ground to the large brass screw near the knockouts.

5. Connect the low level audio source wires to the **Paging Input** connector. Set the **Paging Volume Adjust** to mid range. Set the **Output Volume Control** to a low setting.

**CAUTION:**  
**HEARING PROTECTION MAY BE REQUIRED**  
**DURING STEPS 6 AND 7.**

6. Apply power. A "pop" may occur on power up. Activate a tone and check the volume. If the output sounds distorted, lower the **Paging Volume Adjust**. Set the Output Volume by adjusting the **Output Volume Control** potentiometer.

7. Install the cover and test the set up.

