

# WHELEN<sup>®</sup>

ENGINEERING COMPANY INC.

Route 145, Winthrop Road,  
Chester, Connecticut 06412

Phone: (860) 526-9504

Fax: (860) 526-4078

Internet: [www.whelen.com](http://www.whelen.com)

Sales e-mail: [autosale@whelen.com](mailto:autosale@whelen.com)

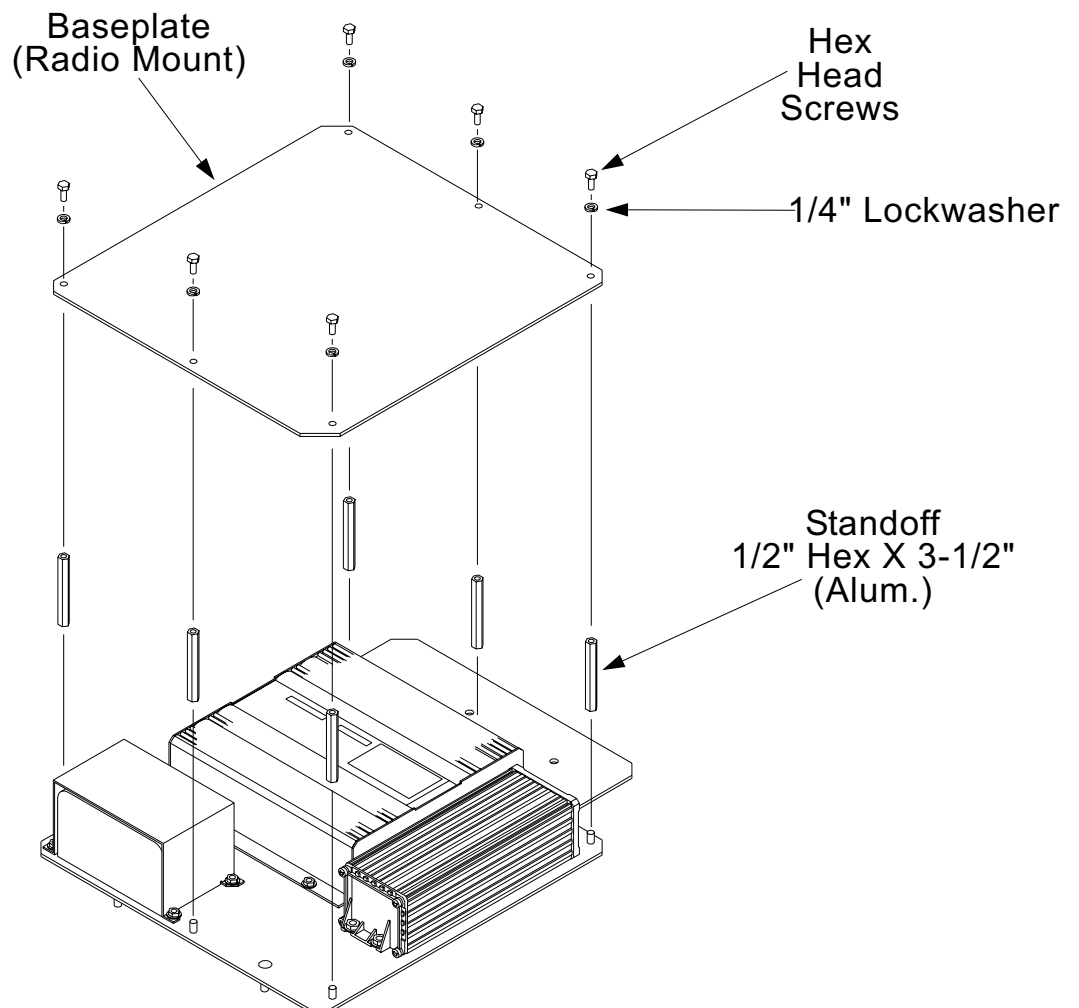
Canadian Sales e-mail: [autocan@whelen.com](mailto:autocan@whelen.com)

Customer Service e-mail: [custserv@whelen.com](mailto:custserv@whelen.com)

## Installation Guide Harley-Davidson Strobe Box Radio Mount

### Installation Procedure...

1. Screw the 6 standoffs (included) into the baseplate assembly.
2. Fit the baseplate into the standoffs.  
**NOTE: Be sure to line the holes in the baseplate up correctly with the standoffs. The baseplate will only fit in one position.**
3. Secure the baseplate with the 6 lockwashers and hex head screws provided.
4. You are now ready to modify the baseplate to accommodate your radio.



Automotive: Miscellaneous