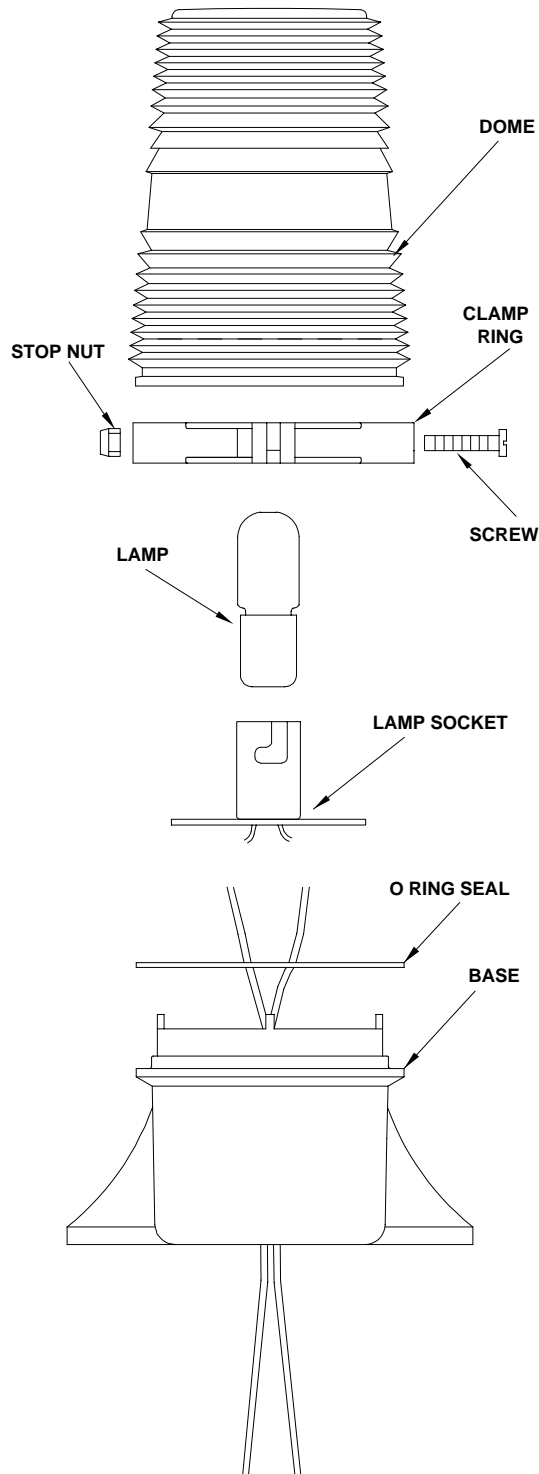


Route 145, Winthrop Road
Chester, CT 06412-0684
TELEPHONE: (860) 526-9504
TOLL FREE: 1-800-637-4736
FACSIMILE: (860) 526-4784

IL1 SERIES MICRO SIZE STEADY BURN LAMPS

IL124P, 24 VDC, PIPE MOUNT
IL1120P, 120 VAC, PIPE MOUNT
IL1240P, 220 VAC, PIPE MOUNT
IL124S, 24 VDC, SURFACE MOUNT
IL1120S, 120 VAC, SURFACE MOUNT
IL1240S, 220 VAC, SURFACE MOUNT



SEE OTHER SIDE OF PAGE FOR
REPLACEMENT PARTS LISTING.

WARNING ALWAYS
DISCONNECT POWER
BEFORE SERVICING OR
INSTALLING AN IL1
SERIES LAMP.

IL1 SERIES REPLACEMENT PARTS LISTING

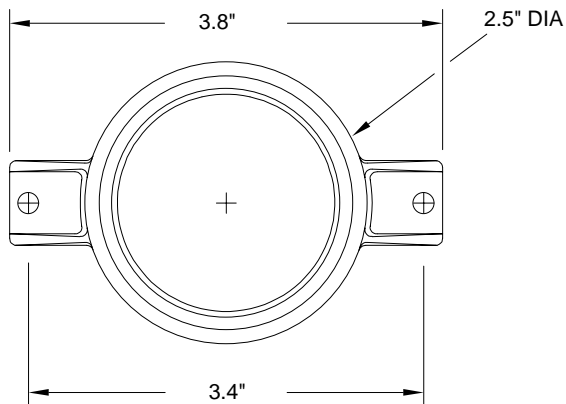
DESCRIPTION	QTY.	PART NUMBER
BULB, 18W, 24V	1	34-0022327-00
BULB, 23W, 120V	1	34-0022326-00
BULB, 25W, 220V	1	34-0423150-59
DOME, AMBER	1	68-2130024-10
DOME, BLUE	1	68-2130024-20
DOME, CLEAR	1	68-2130024-30
DOME, GREEN	1	68-2130024-40
DOME, RED	1	68-2130024-50
O RING SEAL	1	38-0416442-00

MOUNTING INSTRUCTIONS

The IL1 Series Lamps are made for permanent surface mount or pipe mount on a 1/2" NPT thread.

NOTE: The IL1 should only be mounted vertically. Do not mount the IL1 horizontally!

SURFACE MOUNT



1. Locate the wires in the wire slot and mount with two screws. Make sure that the wires are in the wire slot and not pinched under the Base.

PIPE MOUNT (Internal Thread)

1. Feed the power wires through the pipe.
2. Wire according to the WIRING instructions.
3. Screw the base onto the 1/2" NPT pipe and hand tighten.

WIRING INSTRUCTIONS

MODEL IL124P and IL124S

1. Connect the RED wire to the positive DC voltage (+).
2. Connect the BLACK wire to DC ground (-).

MODELS IL1120P and IL1120S

1. Connect the BLACK wire to the AC hot wire.
2. Connect the WHITE wire to the AC neutral wire.

MODELS IL1240P and IL1240S

1. Connect the BLACK wires to the AC power wires.

Refer to the IL1 Series Product Sheet for current draw to determine the proper wire gauge.

BULB REPLACEMENT

1. Turn off power.
2. Loosen the clamp ring screw and remove the dome. Save the O Ring.
3. Twist the bulb and remove it from the socket.
4. Twist the replacement bulb into the socket. Roll the O Ring down the Base, to get it in position. Position the Dome and secure the clamp ring.