

WHELEN[®]

ENGINEERING COMPANY INC.

Route 145, Winthrop Road,

Chester, Connecticut 06412

Phone: (860) 526-9504

Fax: (860) 526-4078

Internet: www.whelen.com

Sales e-mail: autosale@whelen.com

Canadian Sales e-mail: autocan@whelen.com

Customer Service e-mail: custserv@whelen.com

Installation Guide: Lo-Pro™ Siren Speaker Models SA50 & SA51 (for AdvantEdge-series Lightbars)

Automotive: Sirens/Switches

Safety First

This document provides all the necessary information to allow your Whelen product to be properly and safely installed. Before beginning the installation and/or operation of your new product, the installation technician and operator must read this manual completely. Important information is contained herein that could prevent serious injury or damage.

- **Proper installation of this product requires the installer to have a good understanding of automotive electronics, systems and procedures.**
- **If mounting this product requires drilling holes, the installer MUST be sure that no vehicle components or other vital parts could be damaged by the drilling process. Check both sides of the mounting surface before drilling begins. Also de-burr any holes and remove any metal shards or remnants. Install grommets into all wire passage holes.**
- **If this manual states that this product may be mounted with tape or Velcro™, clean the mounting surface with a 50/50 mix of isopropyl alcohol and water and dry thoroughly.**
- **Do not install this product or route any wires in the deployment area of your air bag. Equipment mounted or located in the air bag deployment area will damage or reduce the effectiveness of the air bag, or become a projectile that could cause serious personal injury or death. Refer to your vehicle owners manual for the air bag deployment area. The User/Installer assumes full responsibility to determine proper mounting location, based on providing ultimate safety to all passengers inside the vehicle.**
- **For this product to operate at optimum efficiency, a good electrical connection to chassis ground must be made. The recommended procedure requires the product ground wire to be connected directly to the NEGATIVE (-) battery post.**
- **If this product uses a remote device to activate or control this product, make sure that this control is located in an area that allows both the vehicle and the control to be operated safely in any driving condition.**
- **Do not attempt to activate or control this device in a hazardous driving situation.**
- **It is recommended that these instructions be stored in a safe place and referred to when performing maintenance and/or reinstallation of this product.**
- **FAILURE TO FOLLOW THESE SAFETY PRECAUTIONS AND INSTRUCTIONS COULD RESULT IN DAMAGE TO THE PRODUCT OR VEHICLE AND/OR SERIOUS INJURY TO YOU AND YOUR PASSENGERS!**

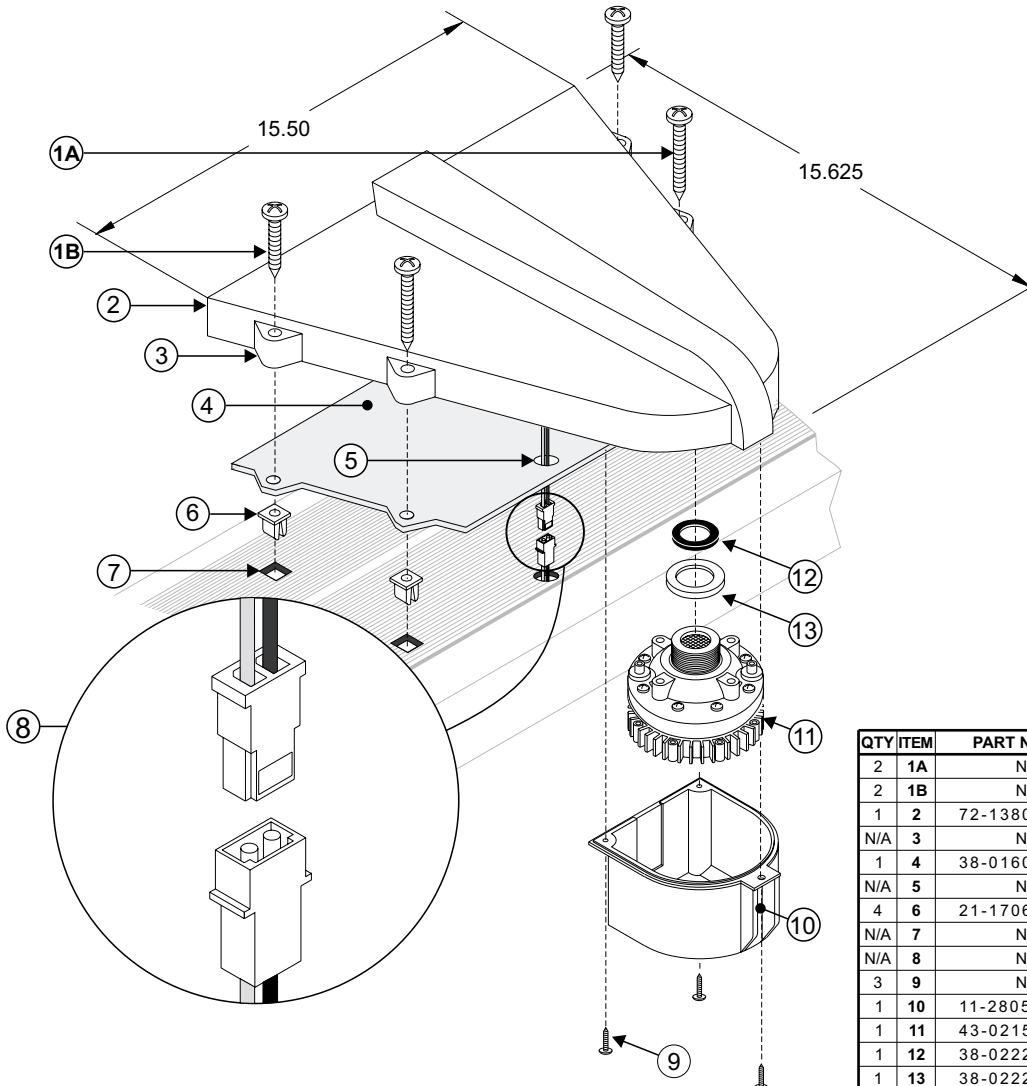
Installation of the Whelen LO-PRO™ Siren Speaker is very simple, provided you follow the directions. Your lightbar has been prepared at the factory to accept the LO-PRO™, so all that's left to be done is the actual mounting of the siren.

1. Feed the AMP connector (8) coming from the lightbar, through the guide hole in the Neoprene Foam Gasket (5). Connect the lightbar's AMP connector to the LO-PRO™'s AMP connector. A recessed area is provided to keep wires from being pinched between the lightbar and the LO-PRO™.
2. Align Gasket Mounting Holes with the installation grommets (6). Make sure that these grommets are securely installed in their respective holes.
3. Position the foam gasket (4) over the four grommets (6). Now align the sirens mounting flange (3) so that the Pan Head Screws (1) may be inserted into their mounting grommet's.

IMPORTANT NOTE! Do **NOT** use mounting screws longer than those provided with the LO-PRO™ or they will come into contact with your lightbar's power supply, causing damage and interfering with proper lightbar operation.

4. Tighten Pan Head Screws securely.

CAUTION:  **Loud siren noise can cause hearing loss.**
 Minimize exposure.
 Close windows when using



QTY	ITEM	PART NUMBER	DESCRIPTION
2	1A	N/A	#10-24 x 1 1/4" Phillips PH Screw
2	1B	N/A	#10-24 x 1 1/4" Phillips PH Screw
1	2	72-1380792-09	Lo-Pro Siren Housing
N/A	3	N/A	Lo-Pro Mounting Flange
1	4	38-0160691-00	Foam Gasket
N/A	5	N/A	AMP Guide Hole
4	6	21-17060704-3	Fastex® Plasti-Grommet
N/A	7	N/A	Grommet Hole
N/A	8	N/A	AMP Connectors
3	9	N/A	#6 x 1/2" Phillips PH Screw
1	10	11-280566-000	Dust Cover
1	11	43-0215884-04	Sa1515 Siren Driver
1	12	38-0222180-00	Rubber Gasket
1	13	38-0222181-00	Fiber Gasket