

# WHELEN<sup>®</sup>

ENGINEERING COMPANY INC.

Route 145, Winthrop Road,  
Chester, Connecticut 06412

Phone: (860) 526-9504

Fax: (860) 526-4078

Internet: [www.whelen.com](http://www.whelen.com)

Sales e-mail: [autosale@whelen.com](mailto:autosale@whelen.com)

Canadian Sales e-mail: [autocan@whelen.com](mailto:autocan@whelen.com)

Customer Service e-mail: [custserv@whelen.com](mailto:custserv@whelen.com)

## Installation Guide B6RF / B6RS Warning Lights

### Safety First

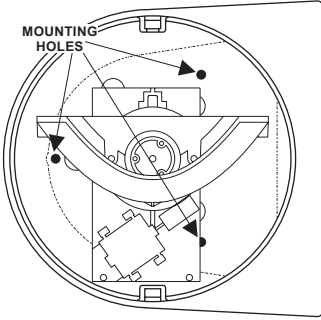
This document provides all the necessary information to allow your Whelen product to be properly and safely installed. Before beginning the installation and/or operation of your new product, the installation technician and operator must read this manual completely. Important information is contained herein that could prevent serious injury or damage.

- **Proper installation of this product requires the installer to have a good understanding of automotive electronics, systems and procedures.**
- **If mounting this product requires drilling holes, the installer MUST be sure that no vehicle components or other vital parts could be damaged by the drilling process. Check both sides of the mounting surface before drilling begins. Also de-burr the holes and remove any metal shards or remnants. Install grommets into all wire passage holes.**
- **If this manual states that this product may be mounted with suction cups, magnets, tape or Velcro™, clean the mounting surface with a 50/50 mix of isopropyl alcohol and water and dry thoroughly.**
- **Do not install this product or route any wires in the deployment area of your air bag. Equipment mounted or located in the air bag deployment area will damage or reduce the effectiveness of the air bag, or become a projectile that could cause serious personal injury or death. Refer to your vehicle owners manual for the air bag deployment area. The User/Installer assumes full responsibility to determine proper mounting location, based on providing ultimate safety to all passengers inside the vehicle.**
- **For this product to operate at optimum efficiency, a good electrical connection to chassis ground must be made. The recommended procedure requires the product ground wire to be connected directly to the NEGATIVE (-) battery post (this does not include products that use cigar power cords).**
- **If this product uses a remote device for activation or control, make sure that this device is located in an area that allows both the vehicle and the device to be operated safely in any driving condition.**
- **Do not attempt to activate or control this device in a hazardous driving situation.**
- **This product contains either strobe light(s), halogen light(s), high-intensity LEDs or a combination of these lights. Do not stare directly into these lights. Momentary blindness and/or eye damage could result.**
- **Use only soap and water to clean the outer lens. Use of other chemicals could result in premature lens cracking (crazing) and discoloration. Lenses in this condition have significantly reduced effectiveness and should be replaced immediately. Inspect and operate this product regularly to confirm its proper operation and mounting condition. Do not use a pressure washer to clean this product.**
- **It is recommended that these instructions be stored in a safe place and referred to when performing maintenance and/or reinstallation of this product.**
- **FAILURE TO FOLLOW THESE SAFETY PRECAUTIONS AND INSTRUCTIONS COULD RESULT IN DAMAGE TO THE PRODUCT OR VEHICLE AND/OR SERIOUS INJURY TO YOU AND YOUR PASSENGERS!**

**For warranty information regarding this product, visit [www.whelen.com/warranty](http://www.whelen.com/warranty)**

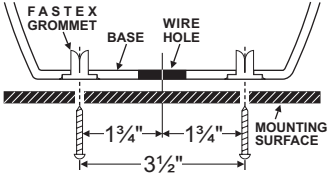
## Standard Mounting

TOP VIEW



## Thru Hole Mounting

FRONT VIEW / CROSS SECTION



The Models B6RF and B6RS warning lights combine the features of the RB-6's rotating beacon and a Flashing Halogen or strobe for double warning in one light. They also meet the new standards set by the NFPA for the rear upper Zone "C" applications.

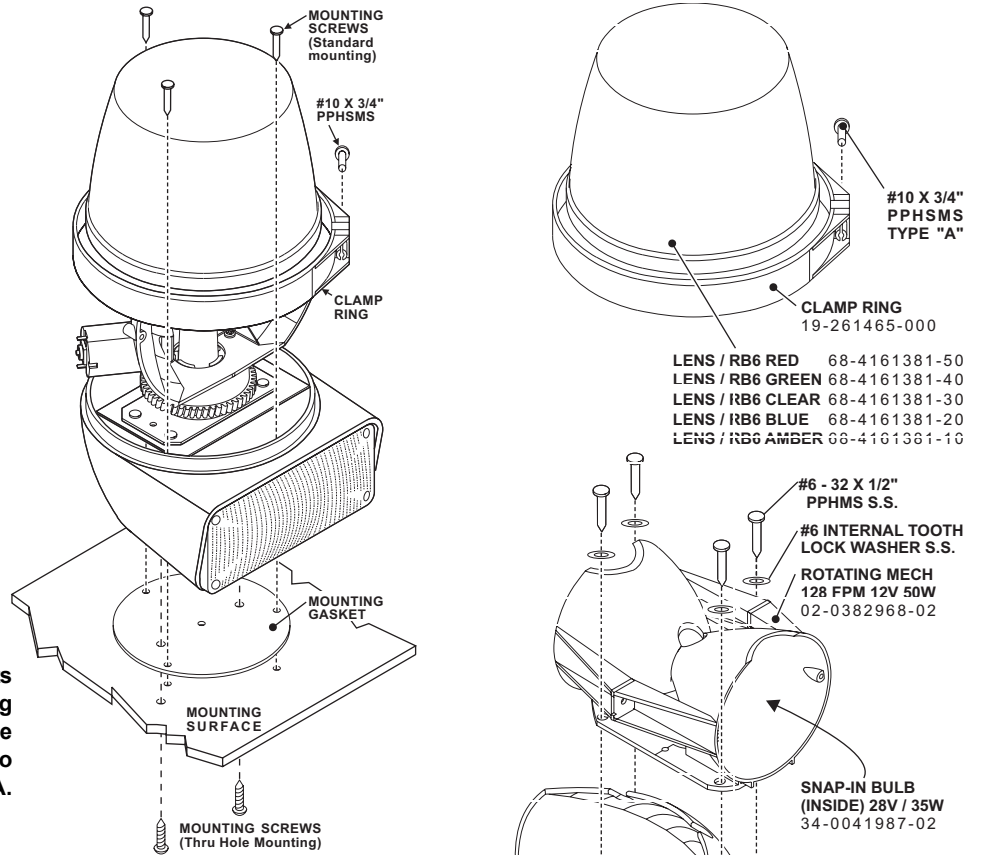
## Installation:

1. Dismantle the light by first removing the sheet metal screw which fastens the clamp ring that holds lens onto the base and remove the lens.
2. Position the base housing onto the vehicle so that the lower light device is facing directly rearward, locate the three mounting holes drilled into the base housing (See above) and mark them off on the mounting surface of the vehicle. For "Thru Hole Mounting", see OPTIONAL below.
3. Remove the unit and position the base gasket onto the vehicle. Line the gasket up with the marks you made for the mounting screws and mark off the center wire access hole.
4. Drill the base mounting holes for the three #10 sheet metal screws and for the center wire access hole (Grommet as needed. Customer supplied).
5. Feed the wires out of the unit, through the mounting gasket and through the access hole and connect them to your power source. (See wiring diagrams)
6. Attach the base to the vehicle with the 3 sheet metal screws supplied, then reassemble and test the unit.

**OPTIONAL:** To install the unit using "Thru Hole Mounting", on the mounting surface, drill two holes, sized for a 1/4" sheet metal screw the distances shown in the diagram above. Be sure that these markings reflect the desired direction that the unit will face once installed. Insert the customer supplied screws up through the bottom of the base and tighten to secure.

**WARNING!** All customer supplied wires that connect to the positive terminal of the battery must be sized to supply at least 125% of the maximum operating current and FUSED at the battery to carry that load. DO NOT USE CIRCUIT BREAKERS WITH THIS PRODUCT!

**WARNING:** The strobe power supply is a high voltage device. Do not touch or remove strobe tube assembly in strobe lighthoods while in operation. Wait 10 minutes after disconnecting the unit from power before starting work on power supply or system.

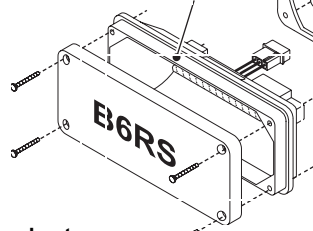


LENS / RB6 RED 68-4161381-50  
 LENS / RB6 GREEN 68-4161381-40  
 LENS / RB6 CLEAR 68-4161381-30  
 LENS / RB6 BLUE 68-4161381-20  
 LENS / RB6 AMBER 68-4161381-10

MINI-MAX HOUSING  
11-461065-000

MOUNTING GASKET  
38-0241199-00

700 LINEAR REFLECTOR  
without FLANGE  
02-0362641-00



#6 X 1.5" PPHSMS SST

B6RS:  
NON-OPTIC LENS  
with SEAL:

RED 68-3183573-5S  
 GREEN 68-3183573-4S  
 CLEAR 68-3183573-3S  
 BLUE 68-3183573-2S  
 AMBER 68-3183573-1S

WIRING:

**B6RF**  
ROTATOR

HALOGEN

or

**B6RS**  
ROTATOR

STROBE

BLACK (-)GND

ORANGE +12V

RED +12V

BLACK (-)GND

RED +12V

BLUE / TRIGGER

BLACK / CATHODE

ORANGE / ANODE

BLACK (-)GND

RED +12V

MOUNTING GASKET  
38-0242422-00

HALOGEN REFLECTOR  
3 WIRE / 3 POS  
02-0383709-01

SNAP-IN LAMP  
12V - 35W  
34-0041987-00

B6RF:  
OPTIC LENS with SEAL:

RED 68-1183582-5S  
 GREEN 68-1183582-4S  
 CLEAR 68-1183582-3S  
 BLUE 68-1183582-2S  
 AMBER 68-1183582-1S