

WHELEN[®]

ENGINEERING COMPANY INC.

Route 145, Winthrop Road,
Chester, Connecticut 06412

Phone: (860) 526-9504

Fax: (860) 526-4078

Internet: www.whelen.com

Sales e-mail: autosale@whelen.com

Canadian Sales e-mail: autocan@whelen.com

Customer Service e-mail: custserv@whelen.com

Installation Guide: 4-Position Pattern Controller

Automotive: Sirens/Switches

Safety First

This document provides all the necessary information to allow your Whelen product to be properly and safely installed. Before beginning the installation and/or operation of your new product, the installation technician and operator must read this manual completely. Important information is contained herein that could prevent serious injury or damage.

- **Proper installation of this product requires the installer to have a good understanding of automotive electronics, systems and procedures.**
- **If mounting this product requires drilling holes, the installer MUST be sure that no vehicle components or other vital parts could be damaged by the drilling process. Check both sides of the mounting surface before drilling begins. Also de-burr any holes and remove any metal shards or remnants. Install grommets into all wire passage holes.**
- **If this manual states that this product may be mounted with suction cups, magnets, tape or Velcro™, clean the mounting surface with a 50/50 mix of isopropyl alcohol and water and dry thoroughly.**
- **Do not install this product or route any wires in the deployment area of your air bag. Equipment mounted or located in the air bag deployment area will damage or reduce the effectiveness of the air bag, or become a projectile that could cause serious personal injury or death. Refer to your vehicle owners manual for the air bag deployment area. The User/Installer assumes full responsibility to determine proper mounting location, based on providing ultimate safety to all passengers inside the vehicle.**
- **For this product to operate at optimum efficiency, a good electrical connection to chassis ground must be made. The recommended procedure requires the product ground wire to be connected directly to the NEGATIVE (-) battery post.**
- **If this product uses a remote device to activate or control this product, make sure that this control is located in an area that allows both the vehicle and the control to be operated safely in any driving condition.**
- **Do not attempt to activate or control this device in a hazardous driving situation.**
- **It is recommended that these instructions be stored in a safe place and referred to when performing maintenance and/or reinstallation of this product.**
- **FAILURE TO FOLLOW THESE SAFETY PRECAUTIONS AND INSTRUCTIONS COULD RESULT IN DAMAGE TO THE PRODUCT OR VEHICLE AND/OR SERIOUS INJURY TO YOU AND YOUR PASSENGERS!**

For warranty information regarding this product, visit www.whelen.com/warranty

The 4-position Pattern Controller can be used with the *UPS64LX*, *UPS690*, *UPS158* and *EDGE BAR* strobe light power supplies. This control switch is connected directly to your power supply and provides the operator with the ability to select any of the four light patterns provided with your power supply.

Mounting the 4-Position Pattern Controller

1. Select a suitable mounting location for the controller. An area under the vehicle's dashboard is often chosen. Be sure the controller fits properly and doesn't interfere with any vehicle components.

2. Position controller on proposed mounting location. Using an awl or other suitable tool, scribe the surface where the mounting holes are to be drilled.

CAUTION! *As mounting the pattern controller will require drilling, it is absolutely necessary to make sure that no other vehicle components could be damaged in the process. If damage is likely, select a different mounting location.*

3. Carefully drill the mounting holes using a drill bit with a size determined by the the mounting hardware (#6 x 1/2" sheet metal screws) and the thickness of the mounting surface.
4. Using the supplied #6 x 1/2" sheet metal screws, secure the controller to the mounting surface (Figure 1).

READ BEFORE INSTALLING!!!

Do not install this product or route any wires in the deployment area of your airbag. Equipment mounted or located in the airbag deployment area will damage or reduce the effectiveness of the airbag, or become a projectile that could cause serious personal injury or death. Refer to your vehicle owners manual for the air bag deployment area.

The User/Installer assumes full responsibility to determine proper mounting location, based on providing ultimate safety to all passengers inside the vehicle. Whelen Engineering Company assumes no liability or responsibility for determining individual applications or exact installation location criteria.

Wiring the 4-Position Pattern Controller

Connecting to Power Supply:

WARNING! *All customer supplied wires that connect to the positive terminal of the battery, must be sized to supple at least 125% of the maximum operating current & fused at the battery to carry that load.*

1. Using butt splices, extend the three wires from the back of the Pattern Controller, towards the desired power supply.
2. At the power supply, connect the 3-position connector (included with the power supply) to the wires extended from the pattern controller.

NOTE: *Before connecting the 4-position pattern controller to the power supply, refer to the wiring table located on page 2. Each power supply is different. It is important to make sure that the wires are connected to their proper locations on their given power supply.*

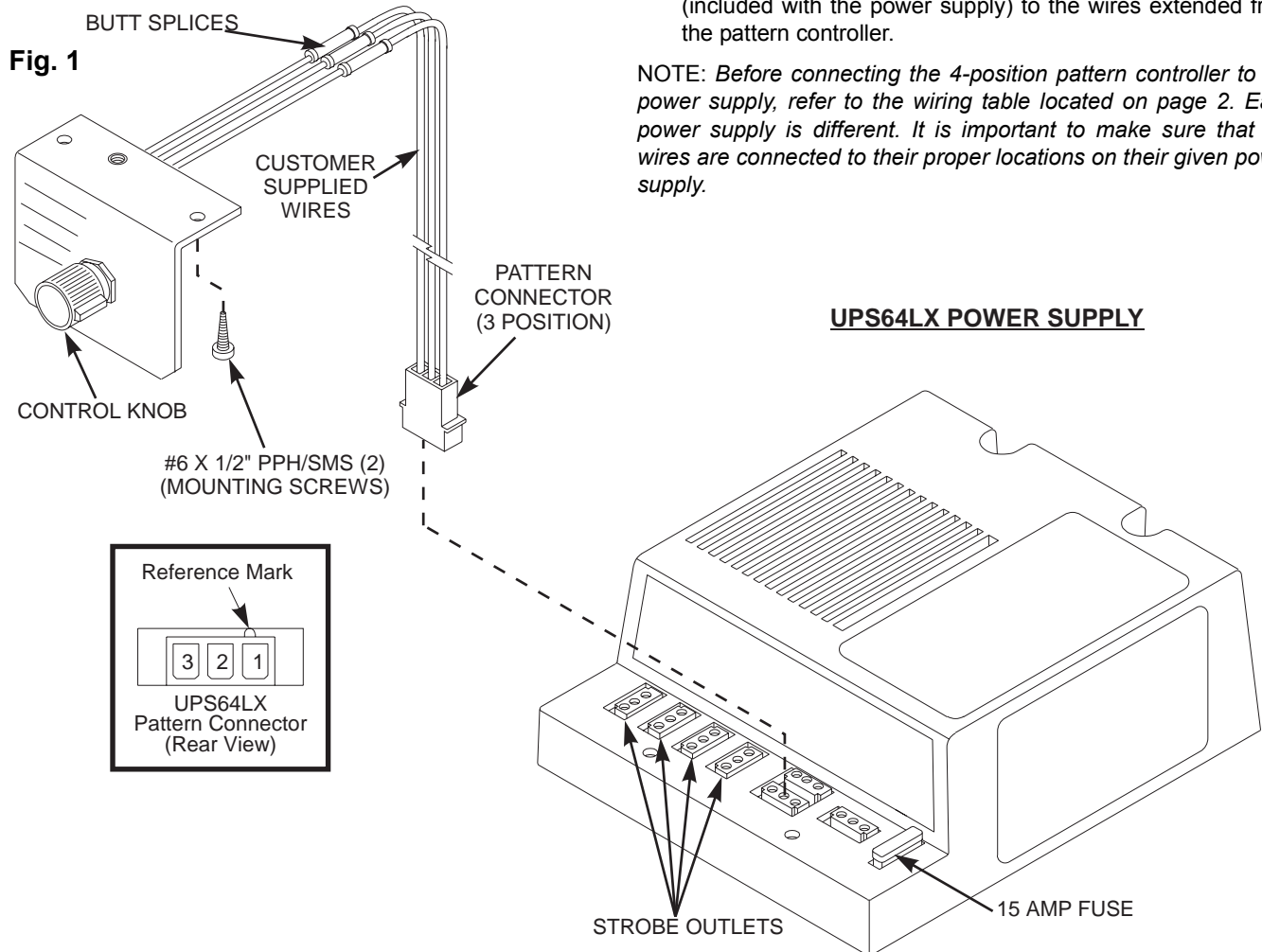


Table 1: WIRING THE PATTERN CONTROLLER

4-Position Pattern Controller	UPS64LX POWER SUPPLY	UPS690 POWER SUPPLY	UPS158 POWER SUPPLY	EDGE POWER SUPPLY (EB6)
WHT/RED WIRE	Position 1	Position 3	A & B Position 1	To +12VDC
BROWN WIRE	Position 2	Position 6	A & B Position 2	Position 7
WHITE WIRE	Position 3	Position 8	A & B Position 3	Position 8

- Place the contact wires into their designated positions on the given connector. Each power supply is different, (refer to figures 1-4) and note the table above on the wiring positions.
- Plug the connector into your power supply unit as shown in figures 1-4. Also, refer to the wiring section in the installation manual of your strobe power supply.

NOTE: The WHITE/RED wire in the pattern selection connector provides positive voltage to the pattern controller. This wire is internally protected to 250 mA. If a short circuit occurs, the circuit will interrupt current flow until the short has been corrected.

Operating the Controller:

The 4-position pattern controller has been designed to take the place of the customer supplied switches used for pattern controls on certain power supply units. The rotary knob is used to designate the given flash patterns noted on the face of the controller (see figure 5 to the right).

Fig. 5

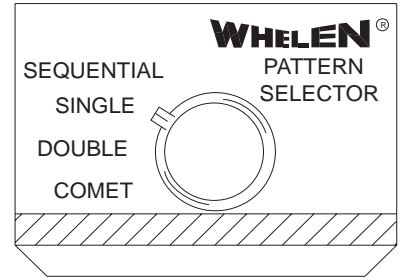


Fig. 2

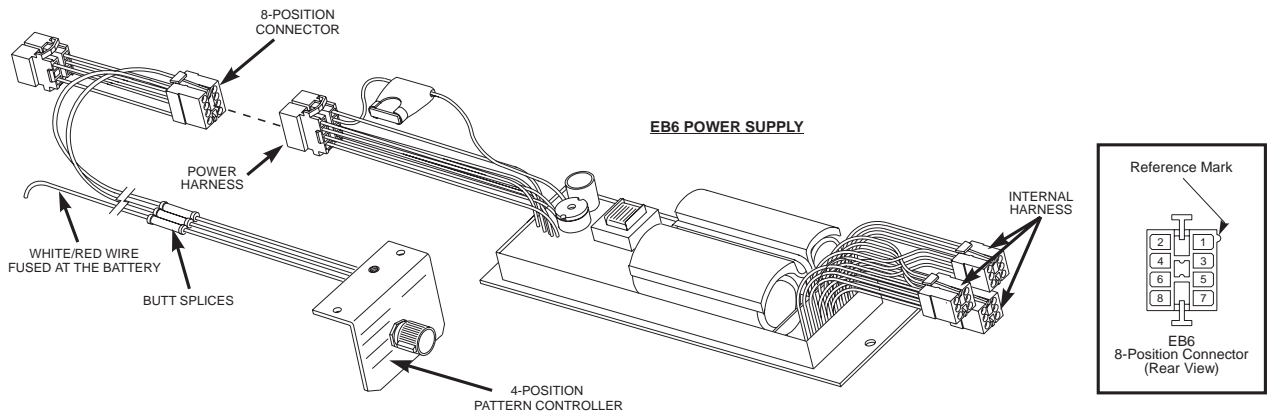


Fig. 3

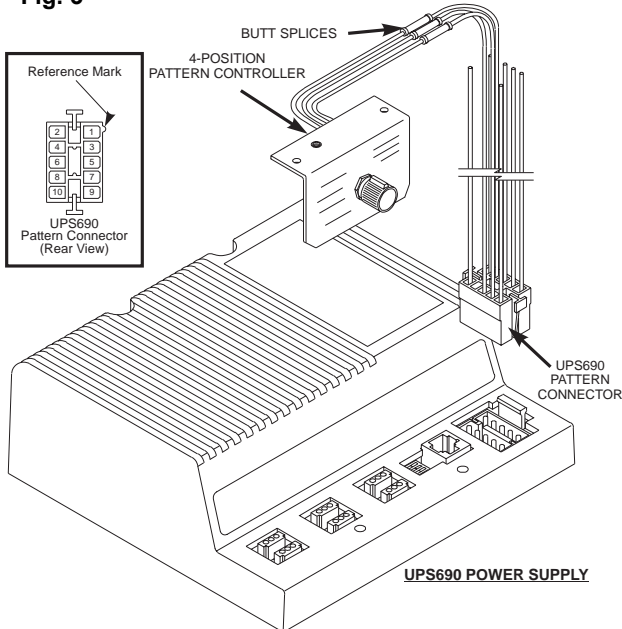


Fig. 4

