

WHELEN[®]

ENGINEERING COMPANY INC.

Route 145, Winthrop Road,
 Chester, Connecticut 06412
 Phone: (860) 526-9504
 Fax: (860) 526-2009
 Internet: www.whelen.com
 Sales/Service e-mail: aviation@whelen.com

Wingtip Light & Power Supply Replacement Instructions
For Installation of: Whelen 90206 Series Light and
Whelen 90101 Series Power Supply
In Aircraft: Cessna 560 (Serial# 0001 to 0256) with Cessna Service
Bulletin SB560-33-08 Applied
Cessna 560 (Serial# 0257 & Above)

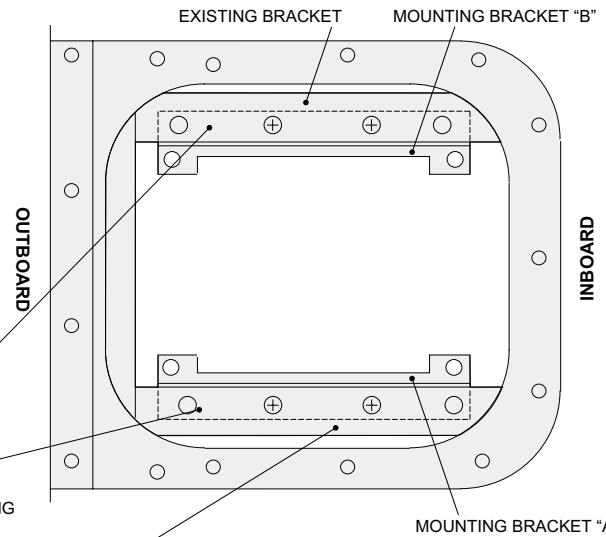
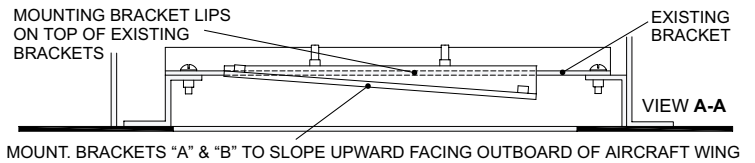
Strobe Light Power Supply Installation:

PRELIMINARY: Disconnect battery and external cart power sources from aircraft, pull associated circuit breakers for strobe light and position light wing systems.

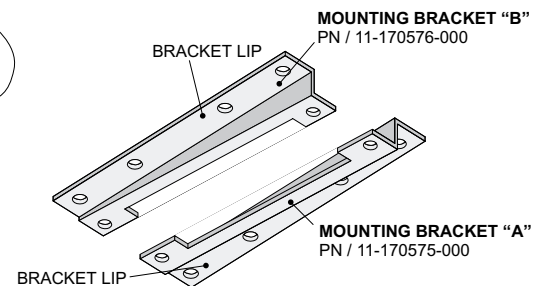
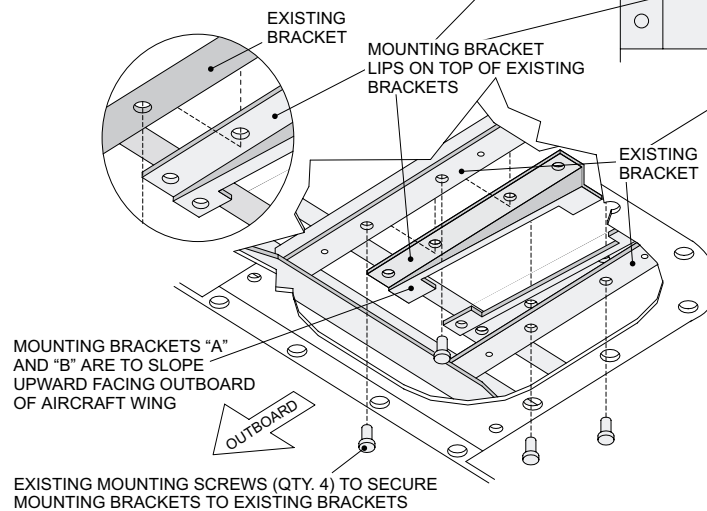
1. From both wings of the aircraft, remove the wingtip access panel by unscrewing the mounting screws.
2. Remove existing strobe light power supply from the wing-tip access cut-out by removing the four mounting screws. Disconnect cables from power supply.
3. Install the two supplied mounting brackets ("A" and "B") with lips on top of existing brackets, located inside wingtip access cut-out, and secure with the four mounting screws. **IMPORTANT NOTE:** When brackets are installed, insure that the upward slope is facing outboard of the wing.
4. Connect the Whelen Strobe Light Power Supply to the connectors of the existing cables and install the power supply onto "A" and "B" mounting

brackets with the connectors facing outboard. Secure the power supply with the four #8-32 MS1957-46 mounting screws (supplied) to the "A" and "B" mounting brackets.

5. Replace the wingtip access panel and secure with the mounting screws.

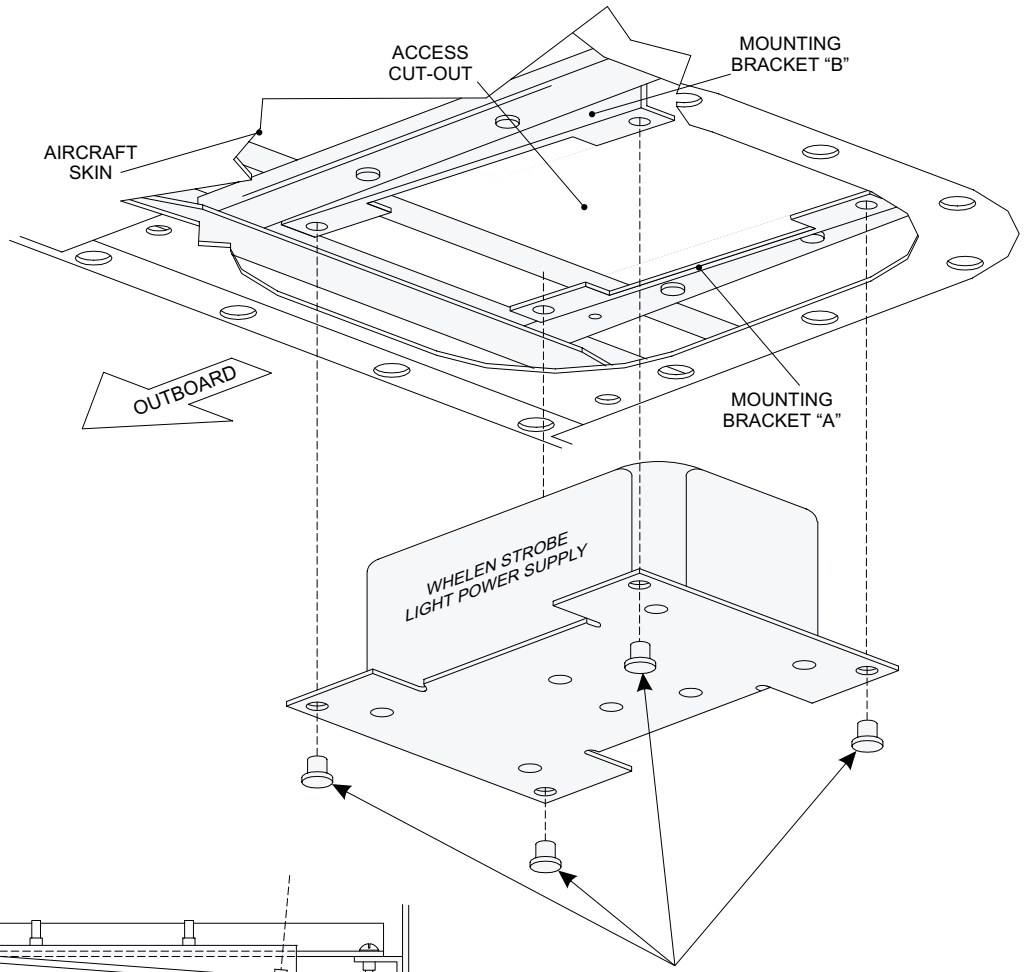


NOTE: ACCESS CUT-OUT SHOWN IN ISOMETRIC DRAWINGS AS SEEN FROM BELOW THE AIRCRAFT'S WING

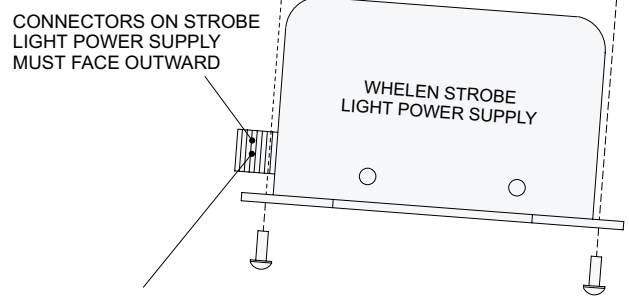
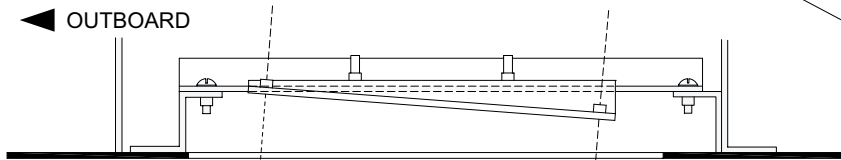


Aviation

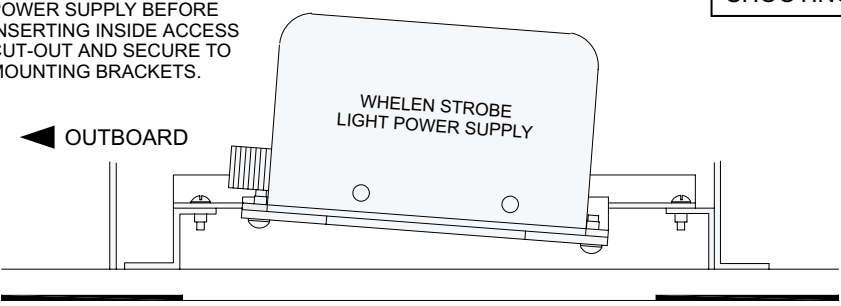
Strobe Light Power Supply Installation Instructions (Whelen 90101 Series)



Four, #8-32 (MS51957-46) mounting screws to secure strobe light power supply to mounting brackets "A" & "B"



IMPORTANT NOTE: CONNECT CABLES TO STROBE LIGHT POWER SUPPLY BEFORE INSERTING INSIDE ACCESS CUT-OUT AND SECURE TO MOUNTING BRACKETS.



WARNING! THE STROBE LIGHT POWER SUPPLY IS A HIGH VOLTAGE DEVICE. DO NOT REMOVE STROBE TUBES OR DISMANTLE THE STROBE LIGHT HEAD ASSEMBLIES WHILE IN OPERATION.

WAIT 10 MINUTES AFTER TURNING OFF POWER BEFORE STARTING WORK ON ANY TROUBLE SHOOTING.

Whelen HTS-90101 Series Power Supply Assembly

GENERAL NOTES:

- SPECIFICATIONS: INPUT VOLTAGE..... 14 VDC or 28 VDC (TYP)
 INPUT CURRENT..... 4 AMPS or 2 AMPS (AVG)
 FLASHRATE..... 45±5 BURSTS PER MIN.
 JOULES..... 16,6.6.6
 WEIGHT..... 1.7 lbs.
 ENERGY..... 22 JOULES WITHIN 200ms.
 34 JOULES WITHIN 405ms.
- THIS POWER SUPPLY (PIN 01-0790101-() USED WITH STROBE LIGHT PART NUMBERS 01-0790206 () MEETS MINIMUM REQUIREMENTS STATED IN FAR PART 23 & PART 25 FOR ANTI-COLLISION LIGHT SYSTEMS.
- FAA - STC, TSO - C96a APPROVED

QTY.	ITEM	PART NUMBER	DESCRIPTION
		01-0790101-04	POWER SUPPLY, STROBE LIGHT (HTS-CF-MS)
1	1	10-0330445-00	INPUT OUTPUT LABEL
2	2	22-0430469-00	CAP PLUG
1	3	10-0530592-02	MFG. LABEL
1	4	01-0267530-00	POWER SUPPLY, HTS-CF-MS - MOD YAL14/28Q4516-1VA

