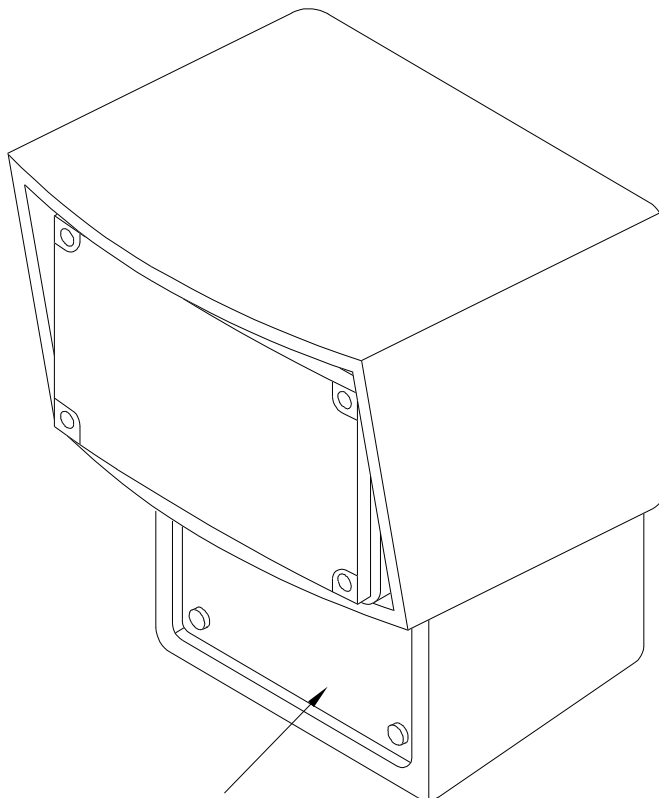


Route 145, Winthrop Road
Chester, CT 06412-0684
TELEPHONE: (860) 526-9504
TOLL FREE: 1-800-637-4736
FACSIMILE: (860) 526-4784

ITC, TC SERIES STROBES

ITC120, 120 VOLTS AC
TC120, 120 VOLTS AC



ACCESS PLATE FOR WIRING

SPECIFICATIONS

Voltage:	120 VAC, 60 Hz
Avg. Current:	.18 Amps
Peak Current:	4 A, @ 1 ms
Weight:	4.7 lbs. (2.1 kg)
Flash Rate:	88 SFPM, +/- 10%

WARNING... DISCONNECT THE
POWER SOURCE BEFORE
INSTALLING OR SERVICING
THE STROBE.

GENERAL -

Model ITC120 and Model TC120 are directional strobe lights designed for rugged, heavy duty, pipe mounted applications. The unit provides a highly visible, directional, single flash warning signal. An easy access AC wiring box is an integral part of the unit.

REPLACEMENT PARTS LIST FOR ITC SERIES BEACONS

DESCRIPTION	QTY.	PART NUMBER
STROBE TUBE ASSEMBLY	1	02-0362824-00
PCB ASSEMBLY	1	02-0168440-00
LENS, AMBER	1	68-1183071-1S
LENS, BLUE	1	68-1183071-2S
LENS, CLEAR	1	68-1183071-3S
LENS, GREEN	1	68-1183071-4S
LENS, RED	1	68-1183071-5S

MOUNTING & WIRING INSTRUCTIONS

The ITC Series of Beacons are designed for mounting to a pendant with a 3/4-14 NPT thread.

PIPE MOUNT

1. Remove the access plate on the unit.
2. Mount the Beacon to the pipe threads. Tighten the Allen head set screw on the back side of the housing.
3. Feed the power source cable into the wiring area.
4. Connect the GREEN wire to the AC service green wire (ground).

5. Connect the BLACK wire to the AC service black wire (hot).

6. Connect the WHITE wire to the AC service white wire (neutral).

7. Replace the access plate. Be sure that the gasket is in place.

FUSE

The AC input is protected with a 10 Amp "picofuse", mounted on the Strobe power supply assembly.

