

WHELEN[®]

ENGINEERING COMPANY INC.

51 Winthrop Road
Chester, Connecticut 06412-0684
Phone: (860) 526-9504
Fax: (860) 526-4078
Internet: www.whelen.com
Sales e-mail: autosale@whelen.com
Canadian Sales e-mail: autocan@whelen.com
Customer Service e-mail: custserv@whelen.com

Installation Guide Models 2004B & 2012 Strobe Beacons (With Polycarbonate Base)

Safety First

This document provides all the necessary information to allow your Whelen product to be properly and safely installed. Before beginning the installation and/or operation of your new product, the installation technician and operator must read this manual completely. Important information is contained herein that could prevent serious injury or damage.

- Proper installation of this product requires the installer to have a good understanding of automotive electronics, systems and procedures.
- If mounting this product requires drilling holes, the installer **MUST** be sure that no vehicle components or other vital parts could be damaged by the drilling process. Check both sides of the mounting surface before drilling begins. Also de-burr the holes and remove any metal shards or remnants. Install grommets into all wire passage holes.
- If this manual states that this product may be mounted with suction cups, magnets, tape or Velcro[®], clean the mounting surface with a 50/50 mix of isopropyl alcohol and water and dry thoroughly.
- Do not install this product or route any wires in the deployment area of your air bag. Equipment mounted or located in the air bag deployment area will damage or reduce the effectiveness of the air bag, or become a projectile that could cause serious personal injury or death. Refer to your vehicle owner's manual for the air bag deployment area. The User/Installer assumes full responsibility to determine proper mounting location, based on providing ultimate safety to all passengers inside the vehicle.
- For this product to operate at optimum efficiency, a good electrical connection to chassis ground must be made. The recommended procedure requires the product ground wire to be connected directly to the **NEGATIVE (-)** battery post (this does not include products that use cigar power cords).
- If this product uses a remote device for activation or control, make sure that this device is located in an area that allows both the vehicle and the device to be operated safely in any driving condition.
- Do not attempt to activate or control this device in a hazardous driving situation.
- This product contains either strobe light(s), halogen light(s), high-intensity LEDs or a combination of these lights. Do not stare directly into these lights. Momentary blindness and/or eye damage could result.
- Use only soap and water to clean the outer lens. Use of other chemicals could result in premature lens cracking (crazing) and discoloration. Lenses in this condition have significantly reduced effectiveness and should be replaced immediately. Inspect and operate this product regularly to confirm its proper operation and mounting condition. Do not use a pressure washer to clean this product.
- It is recommended that these instructions be stored in a safe place and referred to when performing maintenance and/or reinstallation of this product.
- **FAILURE TO FOLLOW THESE SAFETY PRECAUTIONS AND INSTRUCTIONS COULD RESULT IN DAMAGE TO THE PRODUCT OR VEHICLE AND/OR SERIOUS INJURY TO YOU AND YOUR PASSENGERS!**

For warranty information regarding this product, visit www.whelen.com/warranty

SPECIFICATIONS:

MODEL 2004B

Input Voltage.....	12.8 / (25.6) VDC
Input Current.....	0.5 / (0.25) Amps
Input Power.....	6.4 Watts
Flashrate.....	70 (+/- 20%) SFPM
Energy Out.....	4.2 Joules
Output Power.....	5 Watts

MODEL 2012

Input Voltage.....	12.8 / (25.6) VDC
Input Current.....	1.7 / (.85) Amps
Input Power.....	21.7 Watts
Flashrate.....	120 (+/- 20%) SFPM
Energy Out.....	7.6 Joules
Output Power.....	15 Watts

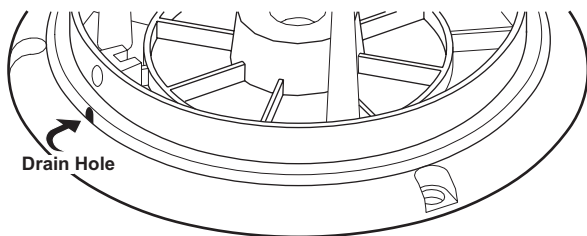
Caution: Permanent mounting of this product will require drilling. It is absolutely necessary to make sure that no other vehicle components could be damaged by this process. Check both sides of the mounting surface before starting. If damage is likely, select a different mounting location.

Caution: The strobe power supply is a high voltage device. Do not remove flash tubes or dismantle the strobe light head assembly while in operation. Wait 10 minutes after turning power off before starting work or trouble shooting.

Mounting Instructions:

This strobe light beacon features a variety of mounting options including a 1 Inch (NPT) Pipe Mount, Permanent Mount, Magnetic/Suction Mount, Magnet Mount or Mirror Mount.

IMPORTANT: Always be sure the drain hole located on the base, is facing the rear of the vehicle.



1 Inch (NPT) Pipe Mount:

Threading for a 1 inch (NPT) pipe mounting is precast in the base.

1. Feed power cable through the 1 inch pipe and connect the cable to the wires of the beacon.
2. Screw the strobe beacon to the threads on the 1" pipe, taking precaution not to damage the connected power wires.
NOTE: Do not tighten base too hard onto the threads of the pipe so as not to damage the threads on the base.

Permanent Mount:

1. Use the base as a template and mark the 3 mounting holes on the mounting surface. After removing the base, mark in the center between the 3 mounting holes the location of the wire access hole.
2. Using a #16 drill bit, drill the mounting holes into the mounting surface. Drill wire access hole using a 3/8" drill. Remove burrs from wire access hole so as not to damage wires. It is also recommended that you install a rubber grommet in each wire hole to further protect the wires. A gasket will be used between the beacon base and the mounting surface.
3. After connecting the beacon to the power cable, feed the wires through the cable access hole and place the base with the gasket on the mounting surface, lining up the mounting holes in the base with the lines in the mounting surface. Secure beacon firmly to the mounting surface with the supplied #10 X 5/8" sheet metal screws.

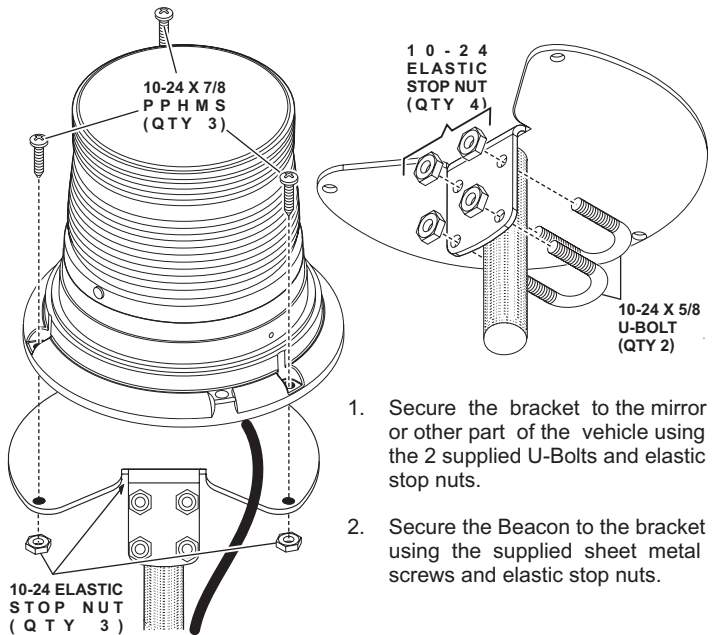
Temporary Mount (Magnetic, Suction Cup, etc.)

With the magnetic or magnetic/suction cup mounting options you will be able to mount your strobe so that you can remove it if necessary and avoid drilling.

Magnetic/suction: Thoroughly clean the proposed mounting surface prior to mounting. For suction cup mounting, wipe the suction cup clean, place the beacon onto its mounting surface and apply gentle pressure to ensure a good seal has been achieved. The Magnetic/Suction Cups mount the same as standard suction cups but are best suited to a flat, steel surface.

Magnetic: Place beacon onto mounting surface. Plug into vehicle lighter.

Mirror Mount:



1. Secure the bracket to the mirror or other part of the vehicle using the 2 supplied U-Bolts and elastic stop nuts.
2. Secure the Beacon to the bracket using the supplied sheet metal screws and elastic stop nuts.

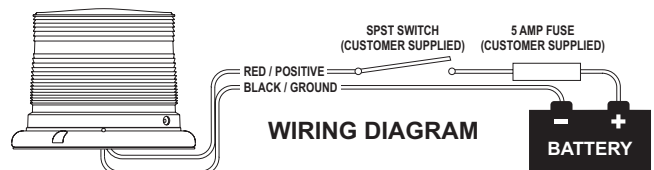
WARNING! Beacons equipped with cigar cords are intended for short duration, intermittent operation only! Prolonged operation requires the beacon to be wired to the vehicle.

WARNING! The presence of any temporarily mounted warning light on the outside of a vehicle in motion is not recommended and is at the sole discretion and liability of the user!

WARNING! All customer supplied wires that connect to the positive terminal of the battery must be sized to supply at least 125% of the maximum operating current and FUSED at the battery to carry the load. DO NOT USE CIRCUIT BREAKERS WITH THIS PRODUCT!

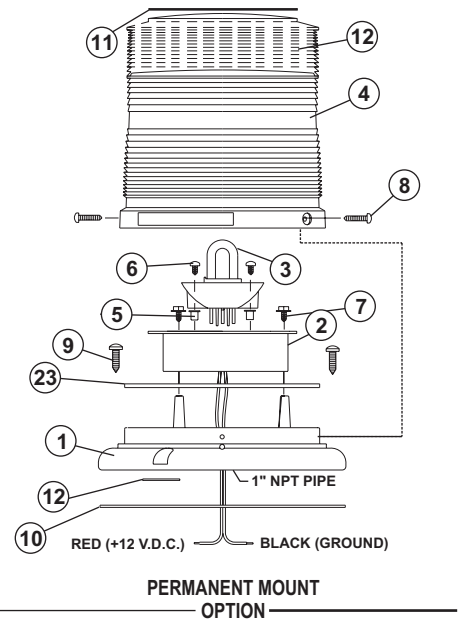
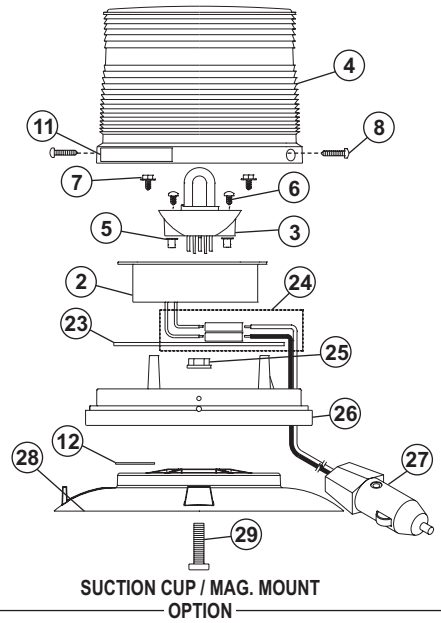
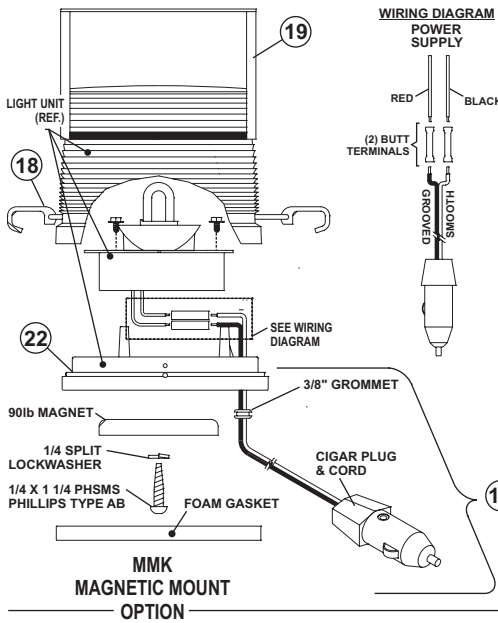
Wiring:

DC voltage models are polarity sensitive. If the positive and negative wires are reversed the unit will not function. The fuse is installed between the power source and the beacon, in the positive (+) line RED and must be fused at the battery. A 5 AMP Fuse is Recommended for this unit.



1. Connect the RED wire on the beacon to positive voltage (+). A customer supplied single pole single throw (SPST) switch may be used to control the ON/OFF function of the beacon.
2. Connect the BLACK wire on the beacon to a negative (-) ground.

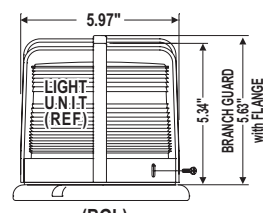
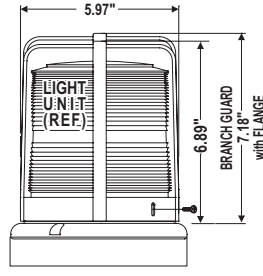
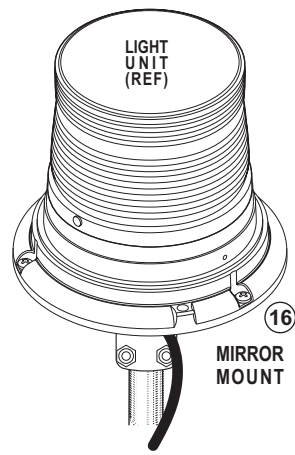
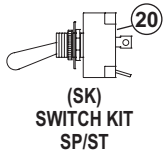
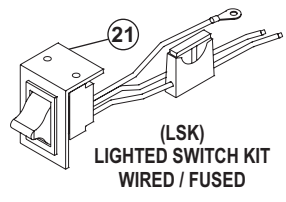
IMPORTANT! Before returning vehicle to active service, confirm proper operation of this product, as well as all vehicle components.

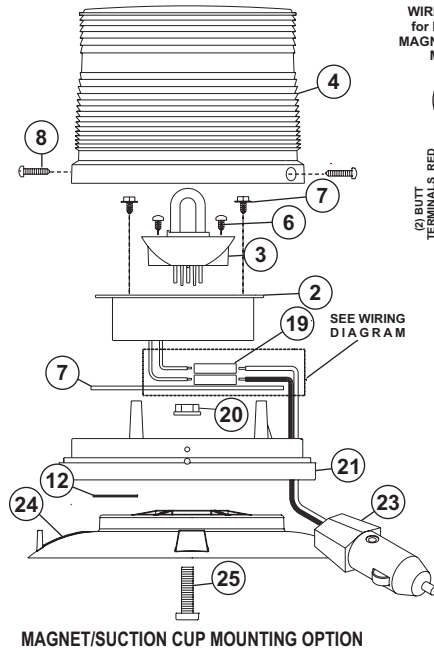
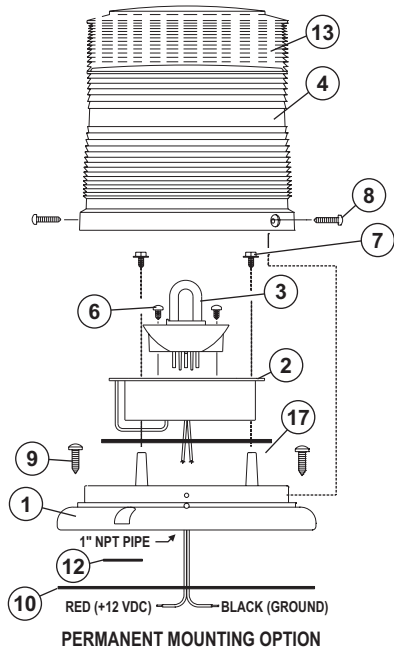


STROBE LIGHT BEACON / MODEL 2004 / PARTS

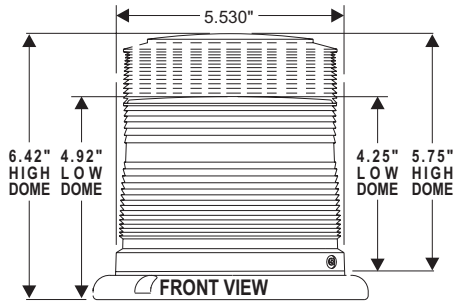
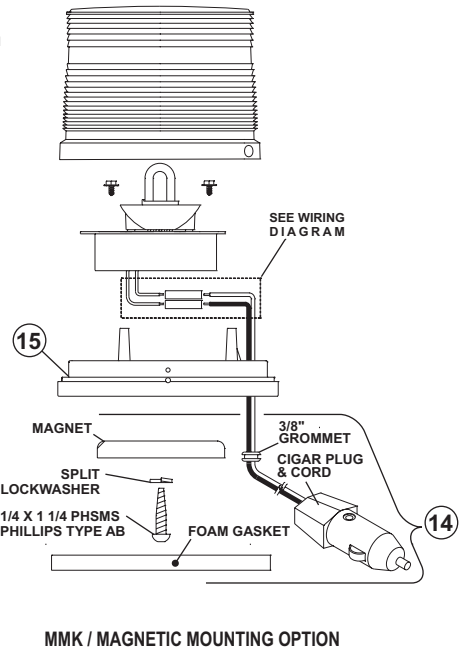
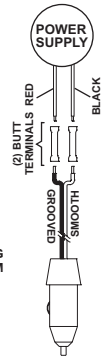
PART NO. KEY: BASIC PART NUMBER + 3 LETTERS
 DOME: H - HIGH DOME, L - LOW DOME
 COLOR: R - RED, B - BLUE, G - GREEN, A - AMBER, C - CLEAR
 BASE: P - PLASTIC, C - CHROME, M - MAGNETIC, S - STANDARD, V - VACUUM
 DOME COLOR HEIGHT BASE TYPE

QTY	QTY	ITEM	PART NUMBER	DESCRIPTION
*	*		01-0682603 L.A.V	STROBE LIGHT / MODEL 2004 SERIES B
*	*		01-0682603	STROBE LIGHT / MODEL 2004 SERIES B
A/R	-	1	06-181468-001	BASE / STROBE / PLASTIC
1	1	2	02-0168117-00	STROBE POWER SUPPLY ASSY
1	1	3	36-0341566-00	FLASH TUBE ASSEMBLY
1	1	4	68-2180452-10	DOME-AMBER
2	2	5	21-17020602-3	NUT #4-FASTEX SCREW GROMMET
2	2	6	15-041416-080	#4 X 1/2" PHILLIPS PAN HD SMS SS
3	3	7	15-066939-056	#6 X 5/16" HEX WSRH. HD. THD. FORM. SCREW
2	2	8	15-065410-100	#6 X 5/8" PAN HD. THD. FORM SCREW
3	-	9	15-101416-100	#10 X 5/8" PPH SHEET METAL SCREW
1	-	10	38-0241596-00	SEAL-BASE / MODEL 2000 SERIES B
OPT	-	11	38-0120271-00	SUN SHADE / MYLAR / MODEL SS
OPT	-	12	68-2180483-10	DOME-AMBER / HIGH / MODEL DH2000
OPT	-	13	07-280929-016	BRANCH GUARD / HIGH DOME / MODEL BGH
OPT	-	14	07-260948-016	BRANCH GUARD / LOW DOME / MODEL BGL
OPT	-	15	01-0461585-00	KIT / MAG. MT / 2000 SERIES B / MODEL MMK
OPT	OPT	16	01-046A496-00	MIRROR MOUNT KIT
OPT	-	17	68-4160988-30	DUST COVER / MODEL DCH
OPT	-	18	02-0310612-00	BONGEE CORD ASSY / MODEL BC
OPT	-	19	70-0160068-00	HOOD / DMS / KIT MODEL / HOOD
OPT	-	20	41-0301010-27	SWITCH KIT / SPST / MODEL SK
OPT	-	21	02-0341028-00	LIGHTED SWITCH KIT / WIRED-FUSED
A/R	-	22	06-182589-001	BASE / STROBE / PLASTIC / MAG MT
1	1	23	38-0441331-00	O-RING / ROTATING BEACON ASSEMBLY
-	2	24	25-0510523-05	BUTT TERMINAL #34071
-	1	25	13-130111-073	1/4-20 WIZ CAD PLATED NUT
-	1	26	06-143328-000	BASE / VACUUM MOUNT STROBE LIGHT ASSY
-	1	27	69-1340052-000	CIGAR CORD / PORTABLE
-	1	28	08-1583927-05	SUCTION CUP / MAG - SUCTION CUP MT.
-	1	29	14-130216-160	1/4-20 X 1" PHMS SS SCREW





WIRING DIAGRAM
for MAGNETIC or
MAGNETIC/SUCTION
MOUNTING



STROBE LIGHT BEACON / MODEL 2012 / PARTS

PART NO. KEY: BASIC PART NUMBER
+ 3 LETTERS

DOME:
H - HIGH DOME
L - LOW DOME

COLOR:
R - RED
B - BLUE
G - GREEN
A - AMBER
C - CLEAR
V = VIOLET

BASE:
P - PERM. MT
M = MAG. MT
V = VACUUM MT.

01-0683198

QTY	QTY	QTY	QTY	ITEM	PART NUMBER	DESCRIPTION
		*			01-0683198LAP	STROBE LIGHT ASSY / MODEL 2012LP
		*			01-0683198HAP	STROBE LIGHT ASSY / MODEL 2012HP
	*				01-0683198LAM	STROBE LIGHT ASSY / MODEL 2012MP
*					01-0683198LAV	STROBE LIGHT ASSY / MODEL 2012VP
-	-	1	1	1	06-181468-001	BASE / STROBE / PLASTIC
1	1	1	1	2	02-0168528-00	PCB ASSY / MODEL 2012 SERIES
1	1	1	1	3	36-0341566-00	FLASH TUBE ASSY / FTU 10W
1	1	-	1	4	68-2180452-10	DOME-AMBER
2	2	2	2	6	15-041416-080	#4 X 1/2" PHILLIPS PAN HD SMS SS
3	3	3	3	7	15-066939-056	#6 x 5/16" HEX WSHR HD. THD. FORM. SCREW
2	2	2	2	8	15-065410-100	#6 X 5/8" PAN HD. THD. FORM SCREW
-	-	3	3	9	15-101416-100	#10 x 5/8" PPH SHEET METAL SCREW
-	-	1	1	10	38-0241596-00	SEAL-BASE / MODEL 2000 SERIES B
1	1	1	1	11	10-0542586-02	LABEL / MODEL NUMBER
1	1	1	1	12	10-0320776-00	LABEL / MADE IN U.S.A.
-	-	1	-	13	68-2180483-10	DOME-AMBER / HIGH
-	1	-	-	14	01-0461585-00	KIT / MAGNET MOUNT / 2000 SERIES B
-	1	-	-	15	06-182589-001	BASE / STROBE / PLASTIC / MAG. MT.
1	1	1	1	16	10-0321846-00	LABEL / "WARNING"
1	1	1	1	17	38-0441331-00	O-RING / ROTATING BEACON ASSEMBLY
A/R	A/R	A/R	A/R	18	10-0323189-00	LABEL / NASCAR BAR LOGO
2	-	-	-	19	25-0510523-05	BUTT TERMINAL #34071
1	-	-	-	20	13-130111-073	NUT 1/4-20 WIZ CAD PLATED
1	-	-	-	21	06-143328-000	BASE / VACUUM MOUNT STROBE LIGHT ASSY
1	-	-	-	22	10-0322783-02	LABEL / MAG MOUNT / AIRBAG WARNING
1	-	-	-	23	69-1340052-00	CIGAR CORD / PORTABLE
1	-	-	-	24	08-1583927-05	SUCTION CUP / MAG. SUCTION CUP MT
1	-	-	-	25	14-130216-160	SCREW 1/4-20 X 1" PPHMS SS