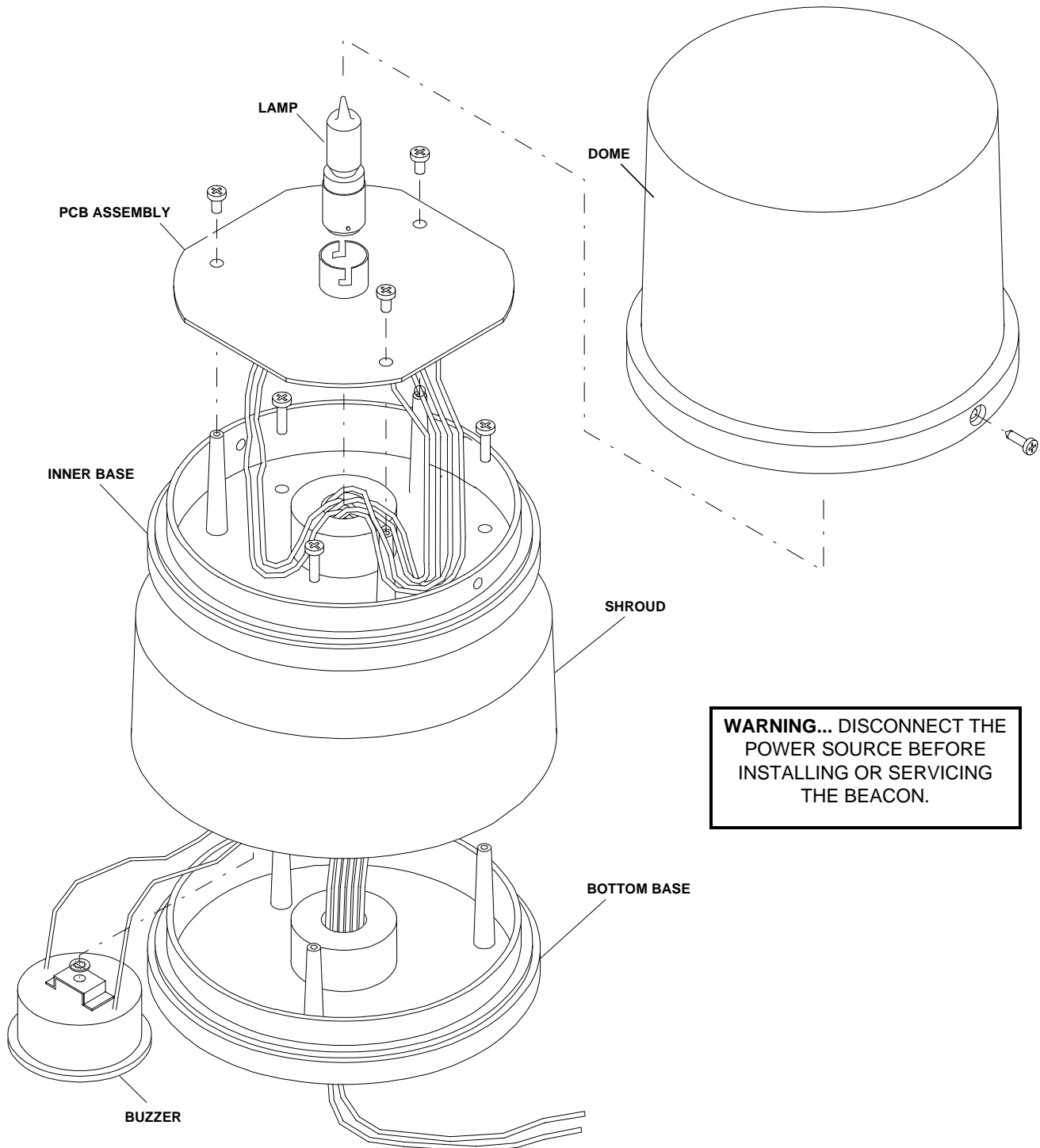


## IFAE SERIES BEACONS

IFAE120, 120 VOLTS AC



**WARNING... DISCONNECT THE  
POWER SOURCE BEFORE  
INSTALLING OR SERVICING  
THE BEACON.**

## REPLACEMENT PARTS LIST FOR IFAE SERIES BEACONS

DESCRIPTION	QTY.	PART NUMBER	IFAE120
LAMP, 25W, HALOGEN	1	34-0021535-00	■
BUZZER, 120VAC	1	43-0212116600	■
PCB ASSEMBLY, IFAE	1	02-0168505-00	■
DOME, AMBER	1	68-4180452-10	■
DOME, BLUE	1	68-4180452-20	■
DOME, CLEAR	1	68-4180452-30	■
DOME, GREEN	1	68-4180452-40	■
DOME, RED	1	68-4180452-50	■

### MOUNTING & WIRING INSTRUCTIONS

The IFAE Series of Beacons are designed for mounting to a pendant with a 1" NPT thread or surface mounting to a flat area.

#### PIPE MOUNT

1. Feed the power source cable through the pipe.
2. Connect the GREEN wire to the AC service green wire (ground).
3. Connect the BLACK wire to the AC service black wire (hot).
4. Connect the WHITE wire to the AC service white wire (neutral).
5. Mount the Beacon to the pipe threads. Make sure that the power wires are not pinched or severely twisted. Do not over-torque the plastic base.

#### SURFACE MOUNT

1. The Beacon must be disassembled in order to mount the Base to a flat surface. Remove the dome screws. Each screw has a small O-ring. Do not loose the O-rings. Remove the Dome.
2. Remove (3) screws that hold the PCB Assembly to the Inner Base. Remove (3) screws that hold the Inner Base to the Bottom Base.
3. Use the Bottom Base as a template. Locate (3) mounting holes and mark the locations on the mounting surface. Mount the Bottom Base.
4. Feed the power source cable to the Beacon.
5. Connect the GREEN wire to the AC service green wire (ground).
6. Connect the BLACK wire to the AC service black wire (hot).
7. Connect the WHITE wire to the AC service white wire (neutral).
8. Re-assemble the Beacon.

### LAMP REPLACEMENT

1. Disconnect power.
2. Remove the dome screws. Each screw has a small O-ring. Do not loose the O-rings. Remove the Dome.
3. Replace the Lamp. Re-assemble the unit. Be sure to include the O-rings on each dome screw.