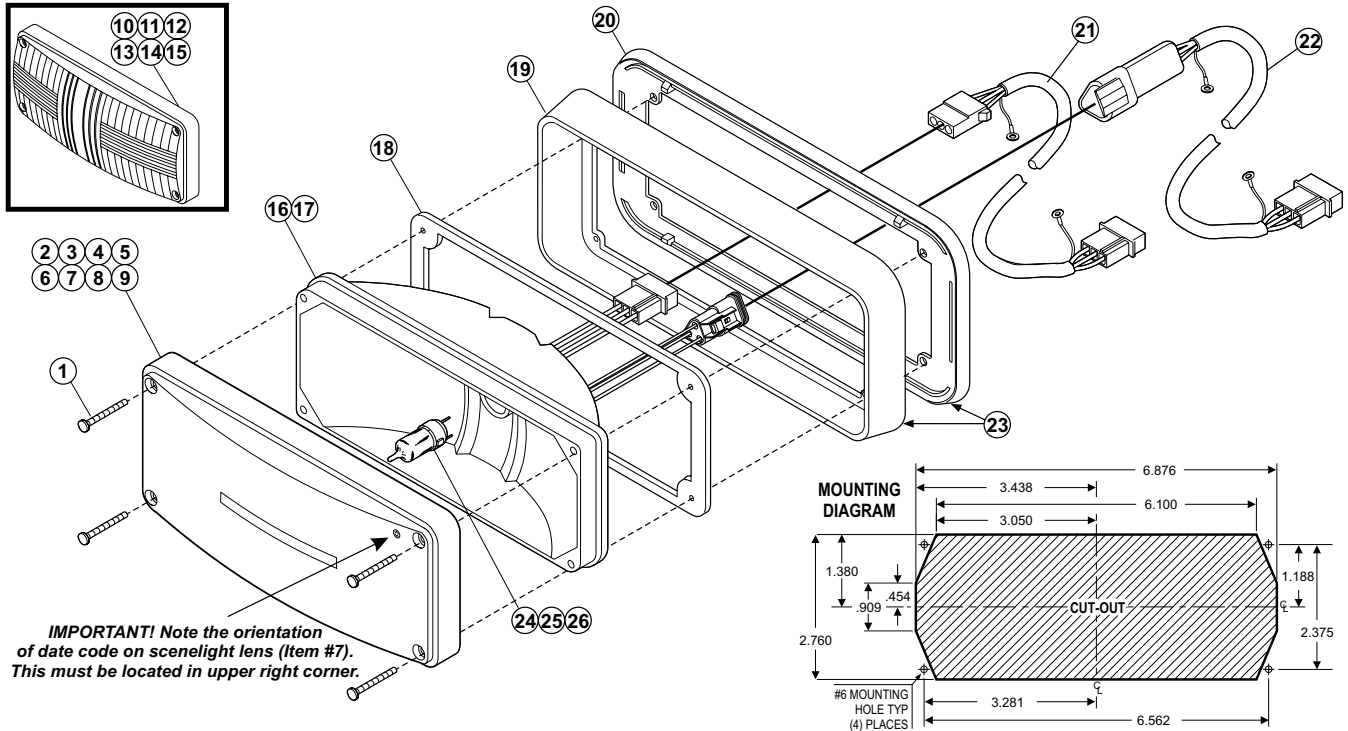


ROUTE 145, WINTHROP ROAD
 CHESTER, CONNECTICUT 06412-0684
 TELEPHONE: (860) 526-9504
 FAX: (860) 526-4078



Installation Instructions . . .

1. Using the measurements in the mounting diagram mark off all of the mounting holes you must cut or drill .

NOTE: The mounting diagram is not to scale. Use for reference only. **WARNING!** This installation will require drilling. It is absolutely necessary to make sure that nothing will be damaged in the process. If damage is possible, select another mounting location.

2. Drill or cut all the mounting and access holes to the sizes noted in the mounting diagram.

3. Thread the wires to your power source.

IMPORTANT: All customer supplied wires that connect to the positive terminal of the battery, must be sized to supply at least 125% of the maximum operating current, and fused at the battery to carry that load.

4. Attach the light housing securely to the vehicle using the 4 Phillips Sheet Metal screws supplied.

5. Connect the wires to your power source.

The outer surfaces of this product may be cleaned with mild soap and water. Use of any other chemicals may void product warranty. Do not use a pressure washer.

QTY.	ITEM	PART NUMBER	DESCRIPTION
*	*	01-0683225	ASSEMBLY / MODEL 7E HALOGEN
4	1	15-061416-240	#6 X 1 1/2" PHIL PAN HD SMS
A/R	2	68-1183136-1S	LENS / 7E HALOGEN - AMBER W/ SEAL
A/R	3	68-1183136-2S	LENS / 7E HALOGEN - BLUE W/ SEAL
A/R	4	68-1183136-3S	LENS / 7E HALOGEN - CLEAR W/ SEAL
A/R	5	68-1183136-4S	LENS / 7E HALOGEN - GREEN W/ SEAL
A/R	6	68-1183136-5S	LENS / 7E HALOGEN - RED W/ SEAL
A/R	7	68-1183464-3S	LENS / 7E HALOGEN SCENELIGHT - CLEAR W/SEAL
A/R	8	68-1183136E5S	LENS / 7E HAL KKKE-SPEC RED W/ SEAL
A/R	9	02-0362949-()	LENS / 7E SERIES SPLIT
A/R	10	68-1183520-1S	LENS / 73 AMBER W/ SEAL
A/R	11	68-1183520-2S	LENS / 73 BLUE W/ SEAL
A/R	12	68-1183520-3S	LENS / 73 CLEAR W/ SEAL
A/R	13	68-1183520-4S	LENS / 73 GREEN W/ SEAL
A/R	14	68-1183520-5S	LENS / 73 RED W/ SEAL
A/R	15	02-0383524-()	LENS / 73 SPLIT W/ SEAL
1	16	02-0283225-00	7E HALOGEN REFLECTOR / AMP CONNECTOR
1	17	02-0283225-01	7E HALOGEN REFLECTOR / DEUTSCH CONNECTOR
1	18	38-0262823-00	GASKET
A/R	19	11-783141-001	FLANGE WITHOUT SEAL
A/R	20	38-0461354-00	FLANGE GASKET
A/R	21	01-0440624-15	CABLE ASSEMBLY KIT
A/R	22	01-0442199-15	CABLE ASSEMBLY KIT / WATERPROOF
A/R	23	01-0462920-00	MODEL 7E/73 SERIES FLANGE KIT WITHOUT SEAL
A/R	24	34-0041987-00	SNAP-IN LAMP ASSEMBLY / 12V-35W
A/R	25	34-0041987-01	SNAP-IN LAMP ASSEMBLY / 12V-50W
A/R	26	34-0041987-07	SNAP-IN LAMP ASSEMBLY / 12V-60W