

WHELEN[®] ENGINEERING COMPANY INC.

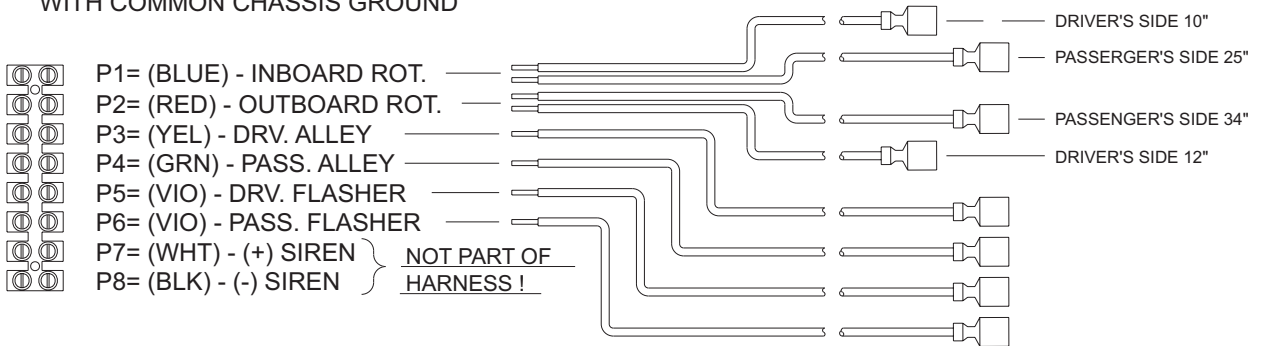
51 Winthrop Road
 Chester, Connecticut 06412-0684
 Phone: (860) 526-9504
 Fax: (860) 526-4078
 Internet: www.whelen.com
 Sales e-mail: autosale@whelen.com
 Canadian Sales e-mail: autocan@whelen.com
 Customer Service e-mail: custserv@whelen.com

Wiring Guide: Centurion™ Lightbar Siren (Mexico Only)

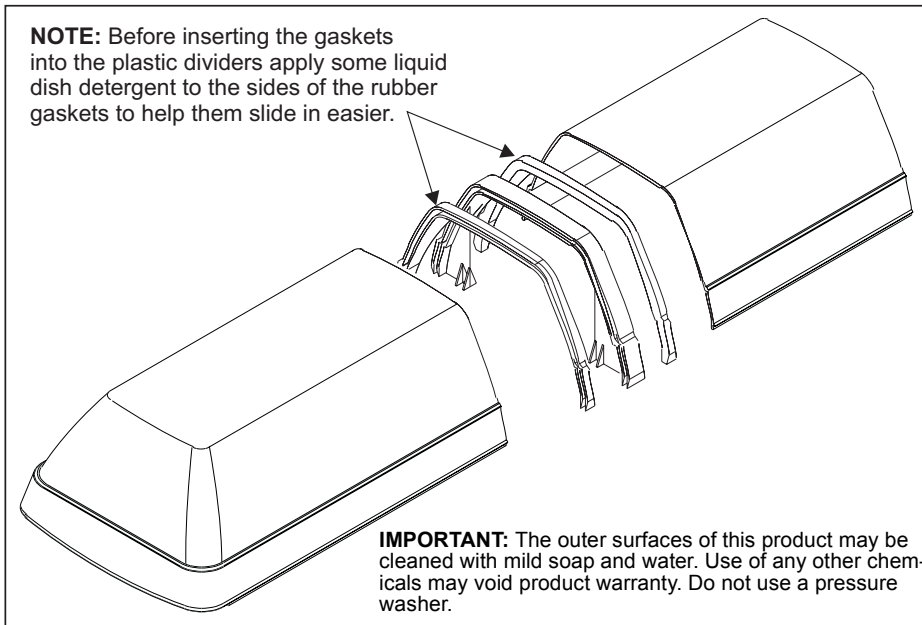
IMPORTANT NOTE: if you purchased your Centurion™ Bar in Mexico, this replaces the section labeled "Wiring Diagram" in your original instruction sheet.

TERMINAL BLOCK WIRING

WITH COMMON CHASSIS GROUND



NOTE: Before inserting the gaskets into the plastic dividers apply some liquid dish detergent to the sides of the rubber gaskets to help them slide in easier.



IMPORTANT: The outer surfaces of this product may be cleaned with mild soap and water. Use of any other chemicals may void product warranty. Do not use a pressure washer.

For warranty information regarding this product, visit www.whelen.com/warranty