

WHELEN[®]

ENGINEERING COMPANY INC.

51 Winthrop Road
Chester, Connecticut 06412-0684
Phone: (860) 526-9504
Fax: (860) 526-4078
Internet: www.whelen.com
Sales e-mail: autosale@whelen.com
Canadian Sales e-mail: autocan@whelen.com
Customer Service e-mail: custserv@whelen.com

Installation Guide: Centurion™ Lightbar Option Kit Model KDFP (Front Flashers)

Safety First

This document provides all the necessary information to allow your Whelen product to be properly and safely installed. Before beginning the installation and/or operation of your new product, the installation technician and operator must read this manual completely. Important information is contained herein that could prevent serious injury or damage.

- Proper installation of this product requires the installer to have a good understanding of automotive electronics, systems and procedures.
- If mounting this product requires drilling holes, the installer **MUST** be sure that no vehicle components or other vital parts could be damaged by the drilling process. Check both sides of the mounting surface before drilling begins. Also de-burr any holes and remove any metal shards or remnants. Install grommets into all wire passage holes.
- If this manual states that this product may be mounted with suction cups, magnets, tape or Velcro®, clean the mounting surface with a 50/50 mix of isopropyl alcohol and water and dry thoroughly.
- Do not install this product or route any wires in the deployment area of your air bag. Equipment mounted or located in the air bag deployment area will damage or reduce the effectiveness of the air bag, or become a projectile that could cause serious personal injury or death. Refer to your vehicle owner's manual for the air bag deployment area. The User/Installer assumes full responsibility to determine proper mounting location, based on providing ultimate safety to all passengers inside the vehicle.
- For this product to operate at optimum efficiency, a good electrical connection to chassis ground must be made. The recommended procedure requires the product ground wire to be connected directly to the **NEGATIVE (-)** battery post.
- If this product uses a remote device to activate or control this product, make sure that this control is located in an area that allows both the vehicle and the control to be operated safely in any driving condition.
- Do not attempt to activate or control this device in a hazardous driving situation.
- This product contains either strobe light(s), halogen light(s), high-intensity LEDs or a combination of these lights. Do not stare directly into these lights. Momentary blindness and/or eye damage could result.
- Use only soap and water to clean the outer lens. Use of other chemicals could result in premature lens cracking (crazing) and discoloration. Lenses in this condition have significantly reduced effectiveness and should be replaced immediately. Inspect and operate this product regularly to confirm its proper operation and mounting condition. Do not use a pressure washer to clean this product.
- It is recommended that these instructions be stored in a safe place and referred to when performing maintenance and/or reinstallation of this product.
- **FAILURE TO FOLLOW THESE SAFETY PRECAUTIONS AND INSTRUCTIONS COULD RESULT IN DAMAGE TO THE PRODUCT OR VEHICLE AND/OR SERIOUS INJURY TO YOU AND YOUR PASSENGERS!**

For warranty information regarding this product, visit www.whelen.com/warranty

Installation:

1. Remove the two Torx head screws that secure end cap to the base and slide the lens sections and dividers off the end of the base so you may gain access to the lightbar base (Figs. 1 & 2). Be sure to note the order in which the lenses were installed on the lightbar.

IMPORTANT NOTE: You will notice that the lenses are seated very tightly into the lens divider gaskets to prevent leaks. You will need to insert a screwdriver at each corner (between the black endcap and aluminum base) and gently pry the lens out to break it free from the dividers. Pry each side out just a little at a time, alternating from one side to the other until the lens slides out easily. Before reassembling, apply a very small amount of liquid dish detergent to the sides of the rubber gaskets to help them slide in easier and obtain a better seal.

2. Place the front flasher filter assembly on the lightbar base (Figs. 3 & 4). Be sure to insert the lip running the length of the light assembly, into the channel running the length of the lightbar base (Fig. 3). Secure the assembly to the channel in the lightbar base using two of the 3/8" hex head screws provided. Repeat this step for the other side of the lightbar.
3. Measure the lightbar base and find the center point of the lightbar as shown in figure 4 and mark it with a pencil or marker.
4. Using this center mark, determine the proper mounting location for the electronic flasher. Find the double sided tape supplied and attach the tape to the bottom of the flasher then attach the flasher to the lightbar base. **NOTE:** Make sure the area you apply the tape to is clean. Use isopropyl alcohol as a cleaner if necessary.

Wiring:

1. Secure the ground lug for the rear flasher filter assemblies to the channel in the lightbar base using the 1/4" hex head screws provided. (Fig. 4)
2. Find the 2 WHITE, and 1 VIOLET faston connectors supplied.

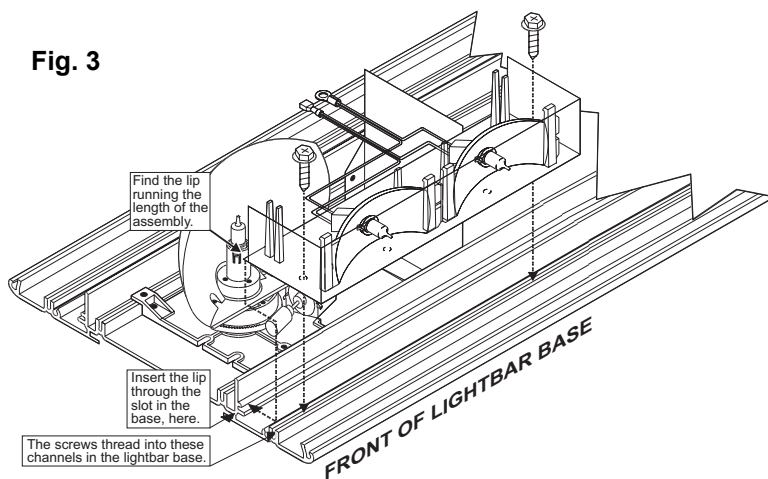


Fig. 3

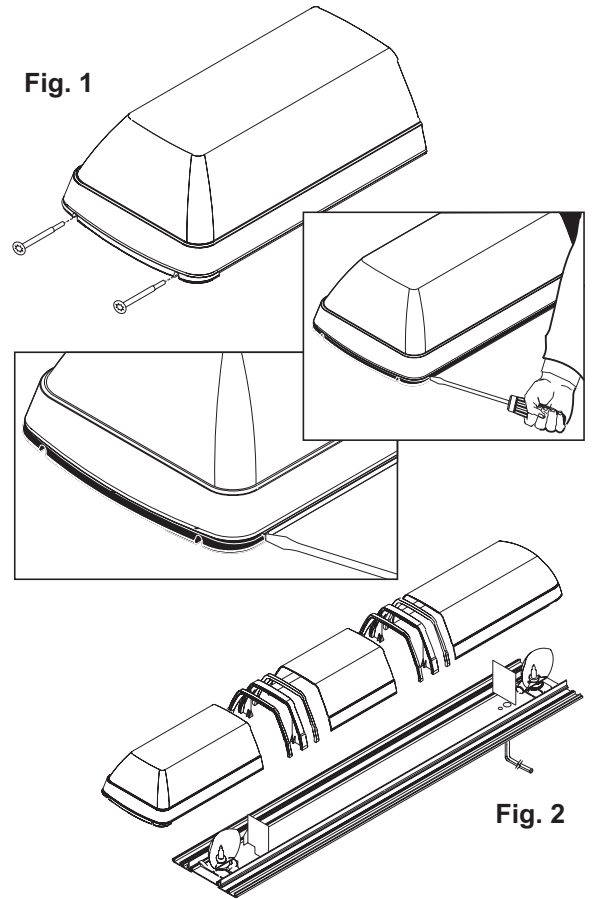
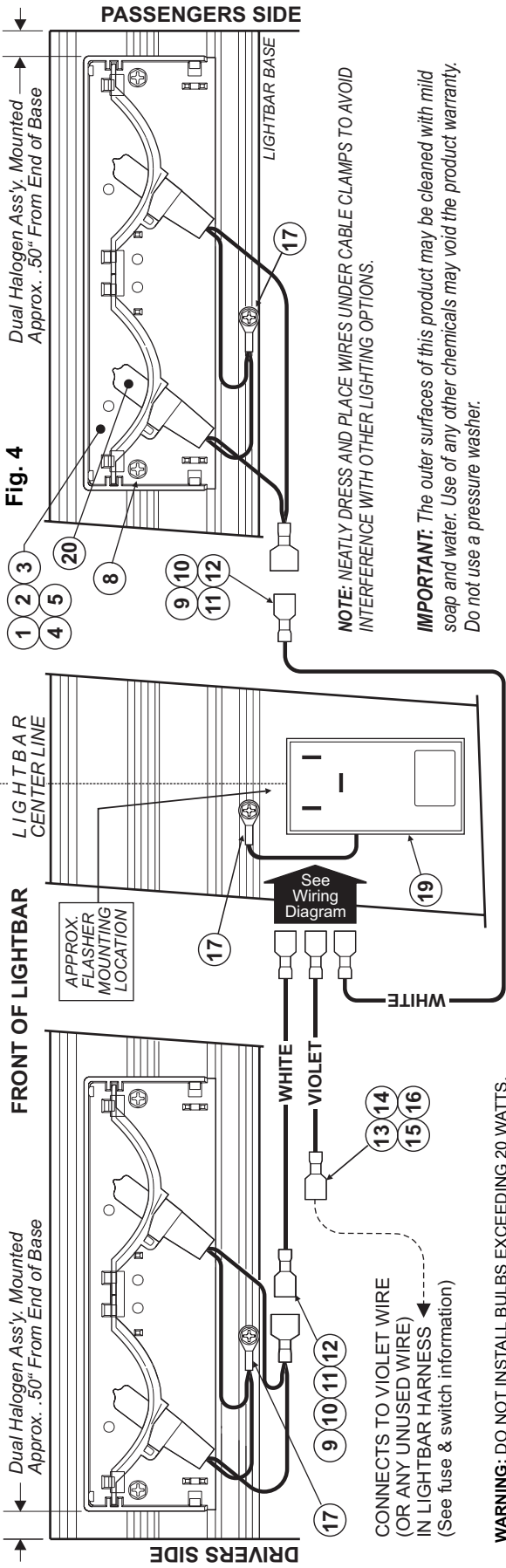


Fig. 1

Fig. 2

3. Plug one of the WHITE connectors into the Faston connector coming from one of the light assemblies. Repeat for the other light. (Fig. 4)
4. Now plug the other end of the WHITE connector coming from the DRIVERS SIDE light into the flasher. **NOTE:** Be sure to follow the wiring diagram on the next page. Repeat for other light.
5. Plug the VIOLET connector into the flasher.
6. Plug the other end of the VIOLET connector into the VIOLET wire (or any unused wire) in your lightbar wiring harness. The cable coming from the lightbar must be fused (see Fuse & Switch Information).
7. Attach the flashers ground lug, to the lightbar base (Fig. 4) then reassemble and test. **NOTE:** You may also substitute a mechanical flasher if desired (see next page).



NOTE: NEATLY DRESS AND PLACE WIRES UNDER CABLE CLAMPS TO AVOID INTERFERENCE WITH OTHER LIGHTING OPTIONS.

IMPORTANT: The outer surfaces of this product may be cleaned with mild soap and water. Use of any other chemicals may void the product warranty. Do not use a pressure washer.

WARNING: DO NOT INSTALL BULBS EXCEEDING 20 WATTS.

QTY.	QTY.	QTY.	ITEM	PART NUMBER	DESCRIPTION
	*			02-03629841	ASSY., FRONT FLASHERS - CENTURION - 22"
	*			02-03629842	ASSY., FRONT FLASHERS - CENTURION - 48" & 52"
	*			02-03629843	ASSY., FRONT FLASHERS - CENTURION - 60"
	*			02-03629844	ASSY., FRONT FLASHERS - CENTURION - 72"
2	2	2	1	02-0362840-A0	ASSY., DUAL HALOGEN FILTER - AMBER
A/R	A/R	A/R	2	02-0362840-B0	ASSY., DUAL HALOGEN FILTER - BLUE
A/R	A/R	A/R	3	02-0362840-C0	ASSY., DUAL HALOGEN FILTER - CLEAR
A/R	A/R	A/R	4	02-0362840-G0	ASSY., DUAL HALOGEN FILTER - GREEN
A/R	A/R	A/R	5	02-0362840-R0	ASSY., DUAL HALOGEN FILTER - RED
REF	REF	REF	6	29-2116380-00	FLASHER, #637 ACME AUTO
REF	REF	REF	7	26-0115037-17	CABLE CLAMP, 1 1/8"
4	4	4	8	15-081916-066	SCREW, #8 x 3/8" PHEXWASHHD SS TYPE "B"
-	-	-	9	67-1F91899090	WIRE, WHITE 9" W/FAST-ONS - FLASHER OUTPUT
-	-	-	10	67-1F91899230	WIRE, WHITE 23" W/FAST-ONS - FLASHER OUTPUT
-	-	-	11	67-1F91899270	WIRE, WHITE 27" W/FAST-ONS - FLASHER OUTPUT
2	-	-	12	67-1F91899330	WIRE, WHITE 33" W/FAST-ONS - FLASHER OUTPUT
-	-	-	13	67-1A41877090	WIRE, VIOLET 9" W/FAST-ONS - FLASHER INPUT
-	-	-	14	67-1A41877210	WIRE, VIOLET 21" W/FAST-ONS - FLASHER INPUT
-	-	-	15	67-1A41877250	WIRE, VIOLET 25" W/FAST-ONS - FLASHER INPUT
1	-	-	16	67-1A41877310	WIRE, VIOLET 31" W/FAST-ONS - FLASHER INPUT
3	3	3	17	15-081916-046	SCREW, #8 x 1/4" PHEXWASHHD SS TYPE "B"
1	1	1	18	66-0421074-00	TAPE, ELECTRONIC
1	1	1	19	01-0246133-00	ASSY., ELECTRONIC FLASHER
-	-	-	20	01-0441987-04C	KIT, H20SN12 REPLACEMENT

PART NUMBER KEY
 FILTER COLOR A = AMBER B = BLUE C = CLEAR G = GREEN R = RED
 LENGTH 1 = 22" 2 = 48" - 52" 3 = 60" 4 = 72"
 PASSENGER FILTER COLOR DRIVER FILTER COLOR LENGTH

