

# WHELEN<sup>®</sup>

ENGINEERING COMPANY INC.

51 Winthrop Road  
Chester, Connecticut 06412-0684  
Phone: (860) 526-9504  
Fax: (860) 526-4078  
Internet: [www.whelen.com](http://www.whelen.com)  
Sales e-mail: [autosale@whelen.com](mailto:autosale@whelen.com)  
Canadian Sales e-mail: [autocan@whelen.com](mailto:autocan@whelen.com)  
Customer Service e-mail: [custserv@whelen.com](mailto:custserv@whelen.com)

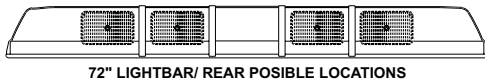
## Installation Guide: Centurion™ Lightbar Option Kit Model K64WL (Rear Halogen Worklights)

### Safety First

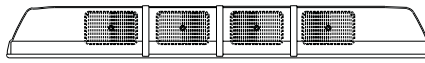
This document provides all the necessary information to allow your Whelen product to be properly and safely installed. Before beginning the installation and/or operation of your new product, the installation technician and operator must read this manual completely. Important information is contained herein that could prevent serious injury or damage.

- Proper installation of this product requires the installer to have a good understanding of automotive electronics, systems and procedures.
- If mounting this product requires drilling holes, the installer **MUST** be sure that no vehicle components or other vital parts could be damaged by the drilling process. Check both sides of the mounting surface before drilling begins. Also de-burr any holes and remove any metal shards or remnants. Install grommets into all wire passage holes.
- If this manual states that this product may be mounted with suction cups, magnets, tape or Velcro®, clean the mounting surface with a 50/50 mix of isopropyl alcohol and water and dry thoroughly.
- Do not install this product or route any wires in the deployment area of your air bag. Equipment mounted or located in the air bag deployment area will damage or reduce the effectiveness of the air bag, or become a projectile that could cause serious personal injury or death. Refer to your vehicle owner's manual for the air bag deployment area. The User/Installer assumes full responsibility to determine proper mounting location, based on providing ultimate safety to all passengers inside the vehicle.
- For this product to operate at optimum efficiency, a good electrical connection to chassis ground must be made. The recommended procedure requires the product ground wire to be connected directly to the **NEGATIVE (-)** battery post.
- If this product uses a remote device to activate or control this product, make sure that this control is located in an area that allows both the vehicle and the control to be operated safely in any driving condition.
- Do not attempt to activate or control this device in a hazardous driving situation.
- This product contains either strobe light(s), halogen light(s), high-intensity LEDs or a combination of these lights. Do not stare directly into these lights. Momentary blindness and/or eye damage could result.
- Use only soap and water to clean the outer lens. Use of other chemicals could result in premature lens cracking (crazing) and discoloration. Lenses in this condition have significantly reduced effectiveness and should be replaced immediately. Inspect and operate this product regularly to confirm its proper operation and mounting condition. Do not use a pressure washer to clean this product.
- It is recommended that these instructions be stored in a safe place and referred to when performing maintenance and/or reinstallation of this product.
- **FAILURE TO FOLLOW THESE SAFETY PRECAUTIONS AND INSTRUCTIONS COULD RESULT IN DAMAGE TO THE PRODUCT OR VEHICLE AND/OR SERIOUS INJURY TO YOU AND YOUR PASSENGERS!**

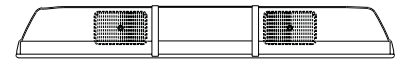
**For warranty information regarding this product, visit [www.whelen.com/warranty](http://www.whelen.com/warranty)**



72" LIGHTBAR/ REAR POSSIBLE LOCATIONS



60" LIGHTBAR/ REAR POSSIBLE LOCATIONS



48"-52' LIGHTBAR/ REAR POSSIBLE LOCATIONS

## 600 Series Lights for the Centurion™ Lightbar

The Centurion can be equipped with either 600 Series Strobe Lights or 600 Series Halogen Worklights. These lights can be mounted any place along the length of the lightbar facing to the front, rear or both.

### Installation

1. Remove the two Torx head screws that secure the end cap to the base and slide the lens sections and dividers off of the end of the base so that you may gain access to the lightbar base (fig. 2). Be sure to note the order in which the lenses were installed on the lightbar.

**Note:** You will notice that the lenses are seated very tightly into the lens divider gaskets to prevent leaks. You will need to insert a screwdriver at each corner (between the black endcap and aluminum base) and gently pry the lens out to break it free from the dividers. Pry each side out just a little at a time, alternating from one side to the other until the lens slides out easily. Before reassembling, apply a very small amount of liquid dish detergent to the sides of the gaskets to help them slide in easier and obtain a better seal.

2. **NOTE:** Step 2 is only necessary if you wish to locate the light in the exact center of the lightbar. Measure the length and width of the base of the bar to find the center, and mark the center point with a pencil or marker.
3. Place and center the bracket assembly onto the base (fig. 3). Use your center mark as a guide if you wish to mount the light in the center and be careful to leave 1/2 inch of space from other options. Attach the brackets to the base using the two hex head mounting screws (see fig. 4).
4. Attach the light(s) to the bracket(s) (fig. 5). **NOTE:** A strobe is shown in figure 5. The halogen mounts the same.

### Wiring / Halogen

1. First find the WHITE wire coming from the light with the ground lug attached to the end. Attach it to the lightbar base using the supplied hex head screws. The screws thread into the channels running the length of the base. Now repeat this for the other light.
2. Next find the GREY double connector provided and plug the RED wire from one light into one of the plugs of the connector and the RED wire from the other light into the other plug (see fig. 4).
3. Now run the remaining connector wire along the lightbar base and plug it into the GREY wire (or any unused wire) of the lightbar harness.

**Note:** The cable coming from the lightbar must be fused. (See diagram, next page)

### Wiring / Halogen

1. Locate the wire harness in your parts bag and plug the 2 amp connectors coming from the harness into the 2 amp connectors coming from the lights.
2. Run the cable along the lightbar base and plug it into the power supply.

**Note:** Clamp any loose wires to the base to prevent them from interfering with any moving parts and make sure no moving parts are touching.

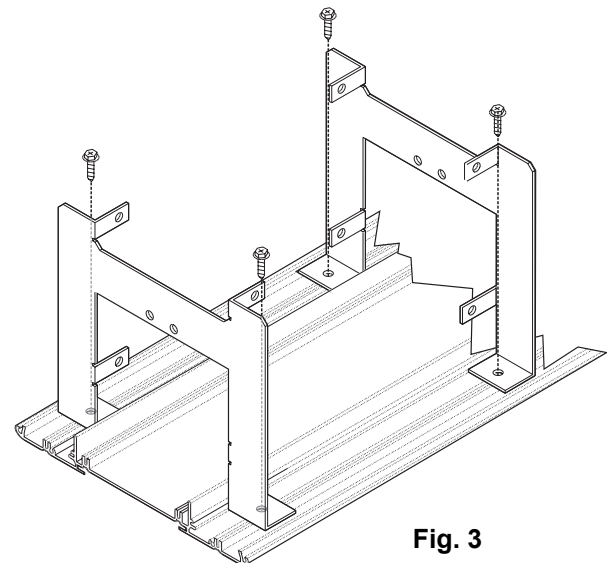
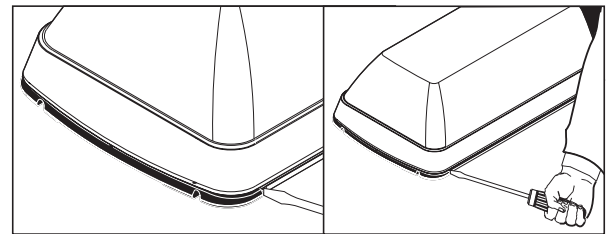
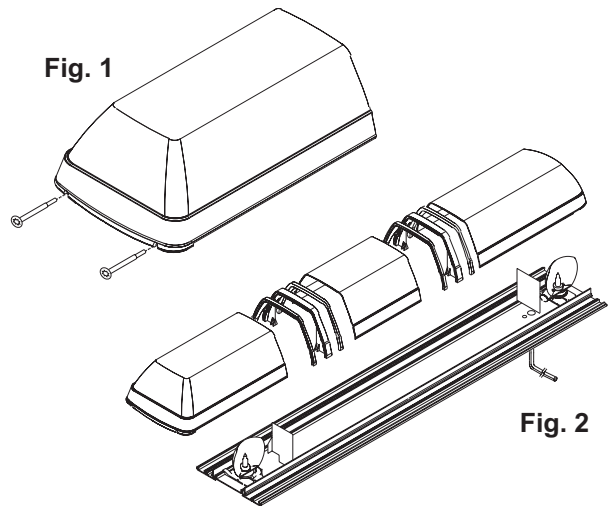
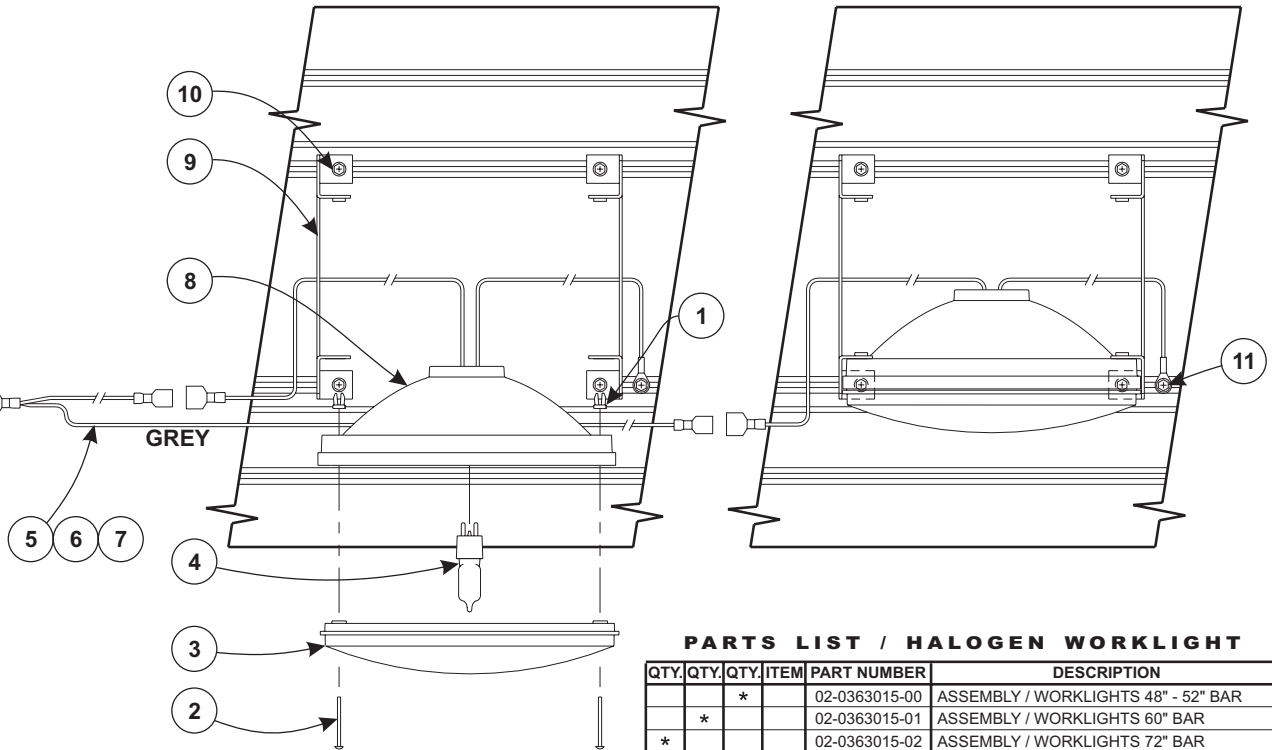


Fig. 4

To GREY wire (Or any unused wire) in Lightbar Harness.



**PARTS LIST / STROBE LIGHT**

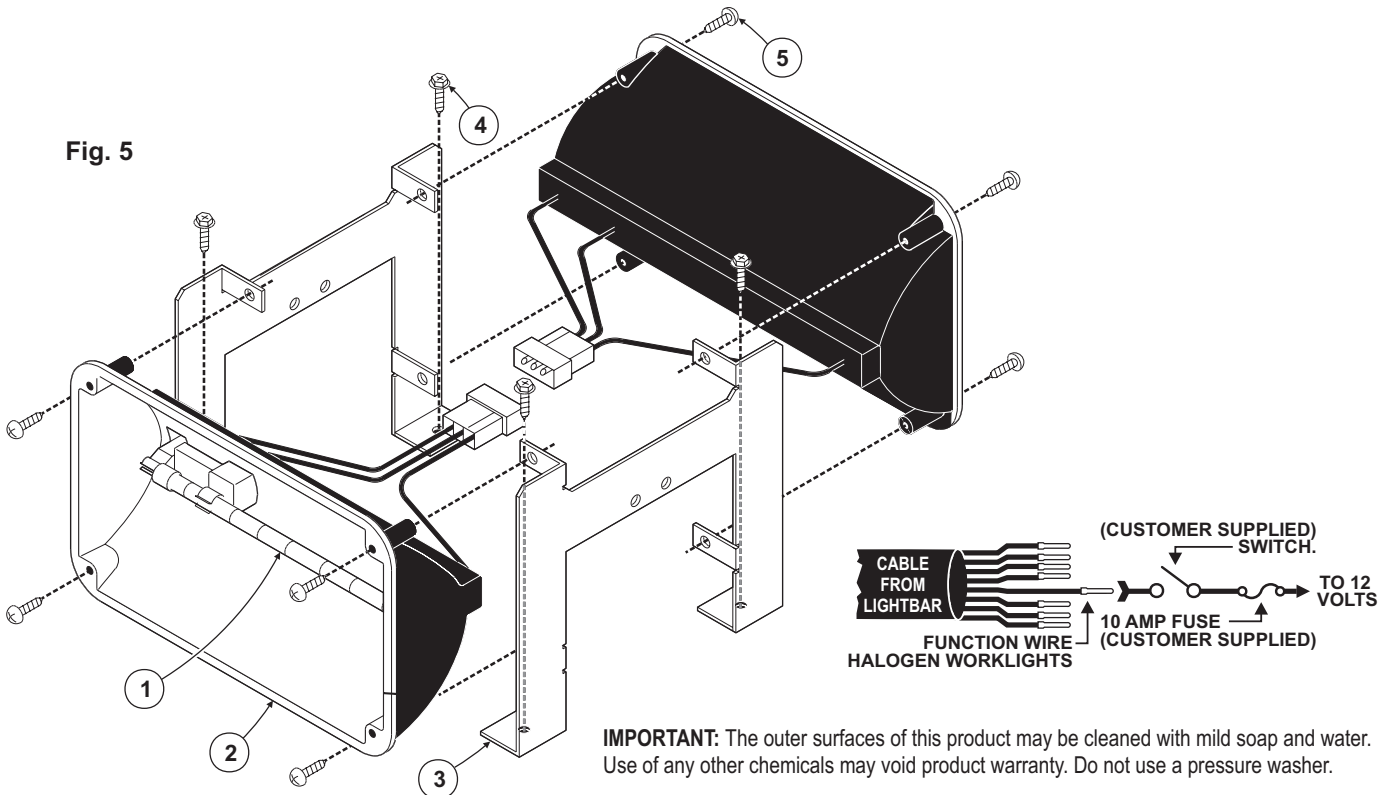
QTY.	ITEM	PART NUMBER	DESCRIPTION
-	-	02-0362973-00	ASSEMBLY / DUAL 64 STROBE MOUNT
2	1	36-0141675-00	FLASH TUBE- "64" SERIES LINEAR
2	2	02-0362584-00	ASSEMBLY / REFLECTOR "64" LINEAR
2	3	07-262957-000	BRACKET / DUAL 64 MOUNTING
4	4	15-081916-066	#8 X 3/8 HEXWASHERHD SMS TYPE B
8	5	15-081416-080	*8 X 1/2" PPH SMS

**PARTS LIST / HALOGEN WORKLIGHT**

QTY.	QTY.	QTY.	ITEM	PART NUMBER	DESCRIPTION
		*		02-0363015-00	ASSEMBLY / WORKLIGHTS 48" - 52" BAR
	*			02-0363015-01	ASSEMBLY / WORKLIGHTS 60" BAR
*				02-0363015-02	ASSEMBLY / WORKLIGHTS 72" BAR
8	8	8	1	13-062040-16J	SCREW GROMMET, #6 FASTEX
8	8	8	2	15-061416-200	#6 X 1-1/4" PPHSMS
2	2	2	3	02-0361458113	ASSEMBLY / LENS- 13° SCENE w/LIP
2	2	2	4	01-0441987-00C	KIT / H35SN12 REPLACEMENT
-	-	1	5	46-0762978-00	HARNESS / TAKE-DOWN / 48" - 52"
-	1	-	6	46-0762978-01	HARNESS / TAKE-DOWN / 60"
1	-	-	7	46-0762978-02	HARNESS / TAKE-DOWN / 72"
2	2	2	8	02-0283450-04	REFLECTOR ASSEMBLY
4	4	4	9	07-262957-000	BRACKET / DUAL 600 SERIES MOUNT
8	8	8	10	15-081916-066	SCREW / #8 X 3/8" HEXWASHER HD / TYPE B
2	2	2	11	15-081916-046	SCREW / #8 X 1/4" HEXWASHER HD / TYPE B

**WARNING:** Do not install Halogen bulbs exceeding 35 Watts

Fig. 5



**IMPORTANT:** The outer surfaces of this product may be cleaned with mild soap and water. Use of any other chemicals may void product warranty. Do not use a pressure washer.