

WHELEN[®]

ENGINEERING COMPANY INC.

51 Winthrop Road
Chester, Connecticut 06412-0684
Phone: (860) 526-9504
Fax: (860) 526-4078
Internet: www.whelen.com
Sales e-mail: autosale@whelen.com
Canadian Sales e-mail: autocan@whelen.com
Customer Service e-mail: custserv@whelen.com

Installation Guide: Centurion™ Clamp Mount '99 Ford Super Duty & '00 Excursion

Safety First

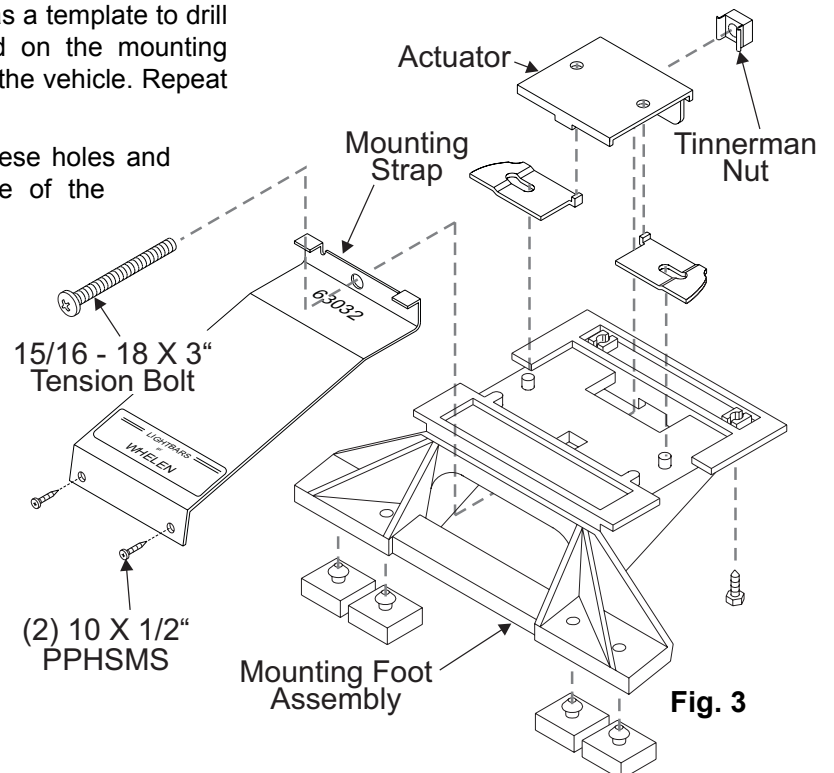
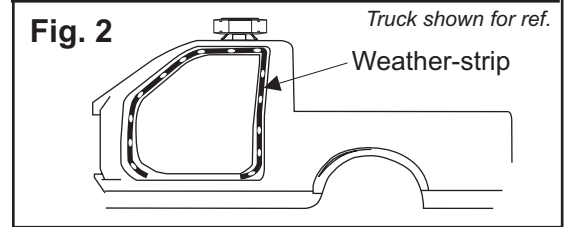
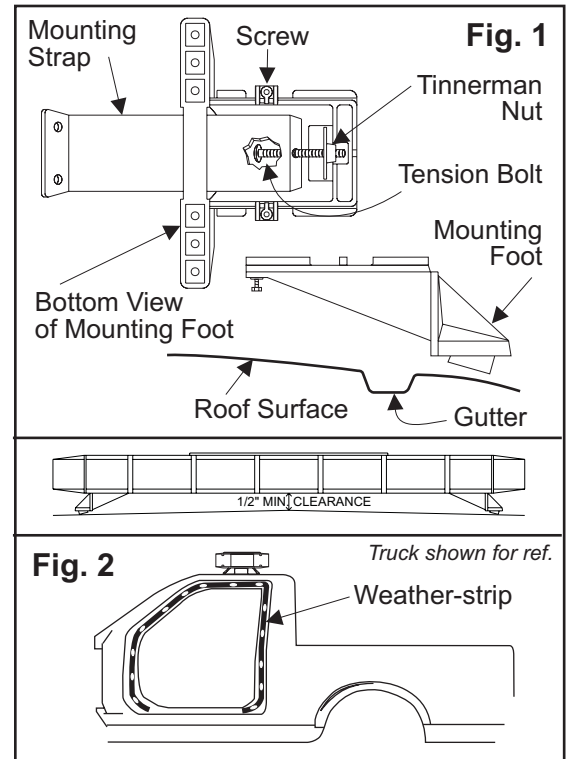
This document provides all the necessary information to allow your Whelen product to be properly and safely installed. Before beginning the installation and/or operation of your new product, the installation technician and operator must read this manual completely. Important information is contained herein that could prevent serious injury or damage.

- Proper installation of this product requires the installer to have a good understanding of automotive electronics, systems and procedures.
- If mounting this product requires drilling holes, the installer **MUST** be sure that no vehicle components or other vital parts could be damaged by the drilling process. Check both sides of the mounting surface before drilling begins. Also de-burr any holes and remove any metal shards or remnants. Install grommets into all wire passage holes.
- If this manual states that this product may be mounted with suction cups, magnets, tape or Velcro®, clean the mounting surface with a 50/50 mix of isopropyl alcohol and water and dry thoroughly.
- Do not install this product or route any wires in the deployment area of your air bag. Equipment mounted or located in the air bag deployment area will damage or reduce the effectiveness of the air bag, or become a projectile that could cause serious personal injury or death. Refer to your vehicle owner's manual for the air bag deployment area. The User/Installer assumes full responsibility to determine proper mounting location, based on providing ultimate safety to all passengers inside the vehicle.
- For this product to operate at optimum efficiency, a good electrical connection to chassis ground must be made. The recommended procedure requires the product ground wire to be connected directly to the **NEGATIVE (-)** battery post.
- If this product uses a remote device to activate or control this product, make sure that this control is located in an area that allows both the vehicle and the control to be operated safely in any driving condition.
- Do not attempt to activate or control this device in a hazardous driving situation.
- This product contains either strobe light(s), halogen light(s), high-intensity LEDs or a combination of these lights. Do not stare directly into these lights. Momentary blindness and/or eye damage could result.
- Use only soap and water to clean the outer lens. Use of other chemicals could result in premature lens cracking (crazing) and discoloration. Lenses in this condition have significantly reduced effectiveness and should be replaced immediately. Inspect and operate this product regularly to confirm its proper operation and mounting condition. Do not use a pressure washer to clean this product.
- It is recommended that these instructions be stored in a safe place and referred to when performing maintenance and/or reinstallation of this product.
- **FAILURE TO FOLLOW THESE SAFETY PRECAUTIONS AND INSTRUCTIONS COULD RESULT IN DAMAGE TO THE PRODUCT OR VEHICLE AND/OR SERIOUS INJURY TO YOU AND YOUR PASSENGERS!**

For warranty information regarding this product, visit www.whelen.com/warranty

INSTALLATION:

1. Position the lightbar in the desired location. Refer to your lightbar manual for cable exit location, to be sure that the lightbar is facing the proper direction.
2. With the location determined, adjust the two mounting feet outwards so that they are resting on the surface outside the roof's gutter (See Fig. 1). To adjust the mounting feet, loosen the two, 3/8" bolts that secure the feet to the extrusion. Make sure that both mounting feet are in full contact with the roof and not hanging off the edge. Also confirm that there is at least 1/2" clearance between the bottom of the lightbar and the roof of the vehicle. When properly positioned, re-tighten these bolts to hold the foot in place. Repeat this procedure for the remaining foot.
3. Open the driver's side door. In the area directly below the mounting foot, carefully pull the driver's side weather-strip away from the vehicle (Fig. 2). Remove enough weather-stripping so that the area where the mounting strap will be secured to the vehicle is exposed. Repeat this procedure for the passenger's side of the vehicle.
4. Insert the mounting strap through the mounting foot as shown in Fig 3. Be sure that the strap fits flush against the mounting area where it will be secured onto the vehicle. Insert the tension bolt through the mounting strap and into the tinnerman nut on the actuator plate. Tighten slightly with a long shafted, Phillips screwdriver. Repeat procedure for the passenger's side.
5. Use the holes in the gutter end of the strap as a template to drill two, appropriately sized *pilot* holes (based on the mounting screws provided) through the strap and into the vehicle. Repeat this for passenger's side of the vehicle.
6. Insert the supplied mounting screws into these holes and tighten firmly. Repeat for passenger's side of the vehicle.
7. Now firmly tighten the tension bolt to secure the lightbar to the vehicle.



! CAUTION!
 The installation of this unit will require drilling. It is absolutely necessary to make sure that no components could be damaged in the process. If damage is possible, select a different mounting location.