

# WHELEN<sup>®</sup>

ENGINEERING COMPANY INC.

51 Winthrop Road  
Chester, Connecticut 06412-0684  
Phone: (860) 526-9504  
Fax: (860) 526-4078  
Internet: [www.whelen.com](http://www.whelen.com)  
Sales e-mail: [autosale@whelen.com](mailto:autosale@whelen.com)  
Canadian Sales e-mail: [autocan@whelen.com](mailto:autocan@whelen.com)  
Customer Service e-mail: [custserv@whelen.com](mailto:custserv@whelen.com)

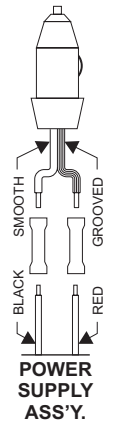
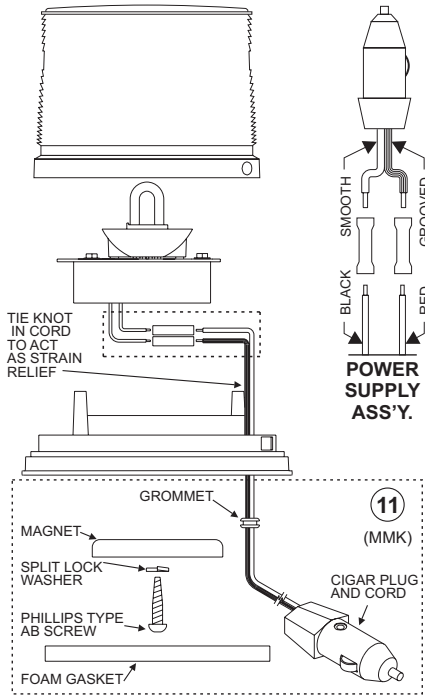
## Installation Guide: 2015 Series Strobe Beacon (Aluminum Base)

### Safety First

This document provides all the necessary information to allow your Whelen product to be properly and safely installed. Before beginning the installation and/or operation of your new product, the installation technician and operator must read this manual completely. Important information is contained herein that could prevent serious injury or damage.

- Proper installation of this product requires the installer to have a good understanding of automotive electronics, systems and procedures.
- If mounting this product requires drilling holes, the installer **MUST** be sure that no vehicle components or other vital parts could be damaged by the drilling process. Check both sides of the mounting surface before drilling begins. Also de-burr the holes and remove any metal shards or remnants. Install grommets into all wire passage holes.
- If this manual states that this product may be mounted with suction cups, magnets, tape or Velcro<sup>®</sup>, clean the mounting surface with a 50/50 mix of isopropyl alcohol and water and dry thoroughly.
- Do not install this product or route any wires in the deployment area of your air bag. Equipment mounted or located in the air bag deployment area will damage or reduce the effectiveness of the air bag, or become a projectile that could cause serious personal injury or death. Refer to your vehicle owner's manual for the air bag deployment area. The User/Installer assumes full responsibility to determine proper mounting location, based on providing ultimate safety to all passengers inside the vehicle.
- For this product to operate at optimum efficiency, a good electrical connection to chassis ground must be made. The recommended procedure requires the product ground wire to be connected directly to the **NEGATIVE (-)** battery post (this does not include products that use cigar power cords).
- If this product uses a remote device for activation or control, make sure that this device is located in an area that allows both the vehicle and the device to be operated safely in any driving condition.
- Do not attempt to activate or control this device in a hazardous driving situation.
- This product contains either strobe light(s), halogen light(s), high-intensity LEDs or a combination of these lights. Do not stare directly into these lights. Momentary blindness and/or eye damage could result.
- Use only soap and water to clean the outer lens. Use of other chemicals could result in premature lens cracking (crazing) and discoloration. Lenses in this condition have significantly reduced effectiveness and should be replaced immediately. Inspect and operate this product regularly to confirm its proper operation and mounting condition. Do not use a pressure washer to clean this product.
- It is recommended that these instructions be stored in a safe place and referred to when performing maintenance and/or reinstallation of this product.
- **FAILURE TO FOLLOW THESE SAFETY PRECAUTIONS AND INSTRUCTIONS COULD RESULT IN DAMAGE TO THE PRODUCT OR VEHICLE AND/OR SERIOUS INJURY TO YOU AND YOUR PASSENGERS!**

**For warranty information regarding this product, visit [www.whelen.com/warranty](http://www.whelen.com/warranty)**



**SPECIFICATIONS:**

**INPUT VOLTAGE**  
12.8V & 25.6V NOM.

**INPUT CURRENT**  
1.7A & .85A AVERAGE

**INPUT POWER**  
21.5 WATTS (TYP)

**FLASHRATE:**  
CometFlash®  
72 CFPM @ 100mS

DoubleFlash  
115 DFPM @ 170mS

RapidRandom  
150-370-150 SFPM @ 3S

ActionFlash™  
(1) COMET & (4) SINGLE

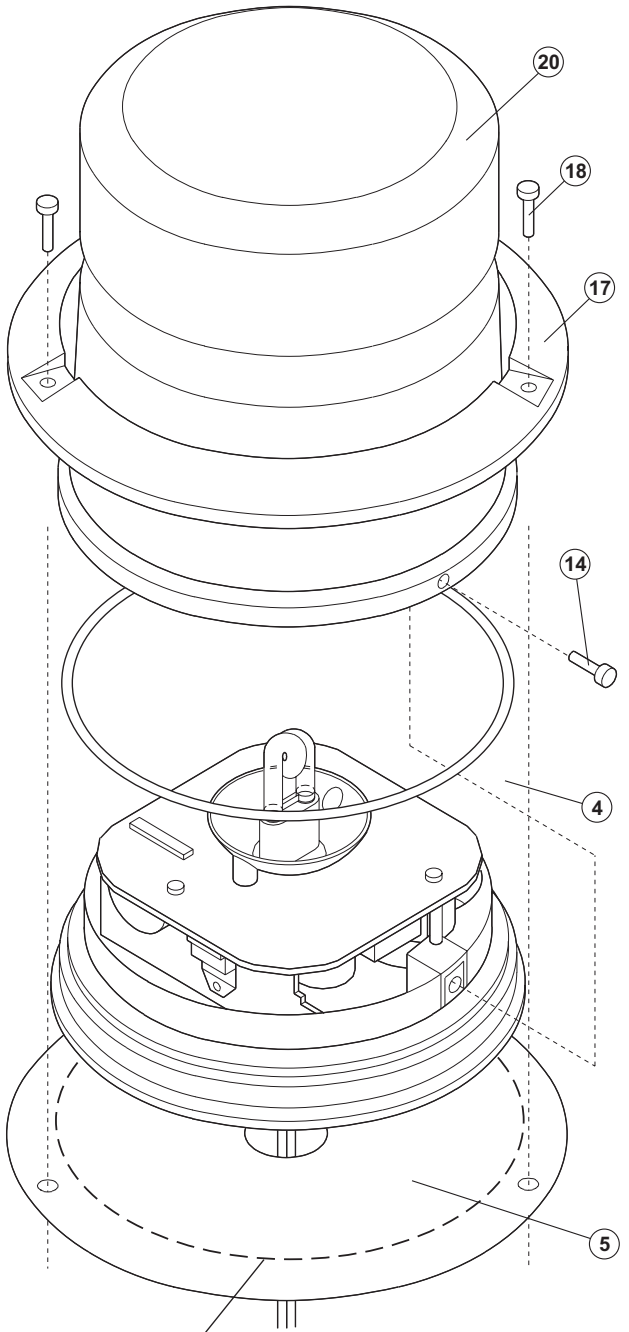
**ENERGY**  
6.4/1.6/1.6/1.6/1.6 JOULES

**OUTPUT POWER**  
15 WATTS (TYP)

**WARNING:** The strobe power supply is a high voltage device. Do not remove strobe tubes or dismantle strobe light head assembly while in operation. Wait 10 minutes after turning off power before starting work or trouble shooting.

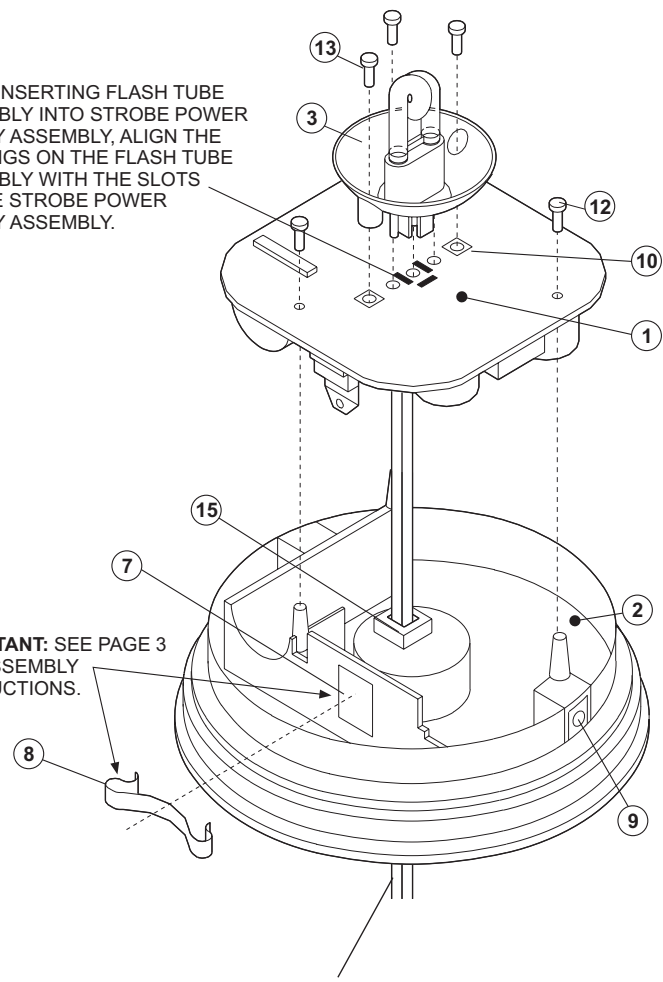
**IMPORTANT:** All customer supplied wires, that connect to the positive (+) terminal of the battery, must be sized to supply at least 125% of the maximum operating current, and fused at the battery to carry the load.

**IMPORTANT:** The outer surfaces of this product may be cleaned with mild soap and water. Use of any other chemicals may void product warranty. Do not use a pressure washer.



WHEN INSERTING FLASH TUBE ASSEMBLY INTO STROBE POWER SUPPLY ASSEMBLY, ALIGN THE 3 PRONGS ON THE FLASH TUBE ASSEMBLY WITH THE SLOTS ON THE STROBE POWER SUPPLY ASSEMBLY.

**IMPORTANT:** SEE PAGE 3 FOR ASSEMBLY INSTRUCTIONS.



CRIMP WIRES TO CUSTOMER SUPPLIED 2 CONDUCTOR CABLE. RED / POSITIVE DC VOLTAGE. BLACK / NEGATIVE GROUND. CUSTOMER SUPPLIED SINGLE THROW (SPST) SWITCH MAY BE USED TO CONTROL ON/OFF FUNCTION.

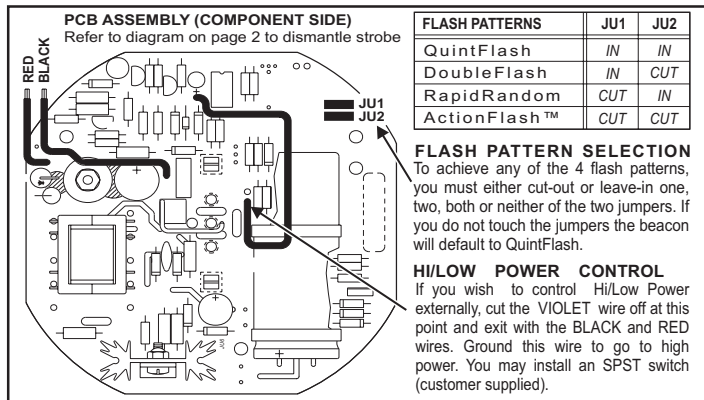
PERFORATED CIRCLE IN BASE GASKET. REMOVE OUTER PART TO FIT DIAMETER OF ALUMINUM BASE FOR PERM. MTG.

QTY	ITEM	PART NUMBER	DESCRIPTION
1	1	01-0683340 - - -	FINAL ASSY MODEL 2015 & VP415 DIE CAST SERIES
1	1	02-0168667-00	PCB ASSY MODEL 2015 & VP415 DIE CAST SERIES
1	2	06-180842-002	BASE / DIE CAST / BLACK W/1" NPT
1	3	36-0341566-00	FLASH TUBE ASSY / FTU 10W
1	4	38-0441331-00	"O" RING
1	5	38-0240821-00	SEAL / BASE
1	6	21-11091202-0	3/8 GROMMET P/N 901132093
1	7	56-000000-100	TO-3P CHO-THERM INSULATOR
1	8	23-0320760-00	SPRING CLIP / TRANSISTOR MOUNT
2	9	13-062C40-16J	NUT, NO.6 FASTEX SCREW GROMMET
OPT	11	01-0461585-00	MAGNET MOUNT KIT
3	12	15-066939-056	6-32 X 5/16 HEX WASHER HD THD FORMING
2	13	15-041416-080	NO.4 X 1/2 PPHDSMS
2	14	15-065419-080	6-32 X 1/2 PAN HD THD FORMING
1	17	11-760897-000	MOUNTING COLLAR, BLACK
3	18	15-081416-080	NO.8 X 1/2" PPHSMS
A/R	19	68-2180452-10	OPTIC DOME / AMBER / LOW PROFILE / 4-3/4" HIGH
A/R	20	68-2180452-20	OPTIC DOME / BLUE / LOW PROFILE / 4-3/4" HIGH
A/R	21	68-2180452-30	OPTIC DOME / CLEAR / LOW PROFILE / 4-3/4" HIGH
A/R	22	68-2180452-40	OPTIC DOME / GREEN / LOW PROFILE / 4-3/4" HIGH
A/R	23	68-2180452-50	OPTIC DOME / RED / LOW PROFILE / 4-3/4" HIGH
A/R	24	68-2180452-V0	OPTIC DOME / VIOLET / LOW PROFILE / 4-3/4" HIGH
A/R	25	68-2180483-10	OPTIC DOME / AMBER / HIGH PROFILE / 5-3/4" HIGH
A/R	26	68-2180483-20	OPTIC DOME / BLUE / HIGH PROFILE / 5-3/4" HIGH
A/R	27	68-2180483-30	OPTIC DOME / CLEAR / HIGH PROFILE / 5-3/4" HIGH
A/R	28	68-2180483-40	OPTIC DOME / GREEN / HIGH PROFILE / 5-3/4" HIGH
A/R	29	68-2180483-50	OPTIC DOME / RED / HIGH PROFILE / 5-3/4" HIGH
A/R	30	68-2180483-V0	OPTIC DOME / VIOLET / HIGH PROFILE / 5-3/4" HIGH



COLOR: A = AMBER B = BLUE C = CLEAR  
G = GREEN R = RED V = VIOLET  
BASE: P = PERM MOUNT M = MAG MOUNT  
DOME: H = HIGH DOME L = LOW DOME

**NOTE:** DC voltage models are polarity sensitive. If the positive and negative wires are reversed the unit will not function. The fuse is installed between the power source and the strobe light beacon IN THE POSITIVE (+) LINE (red wire) and must be fused at the battery.



**MOUNTING INSTRUCTIONS:**

This strobe beacon features a combination base which may be used for either FLANGE MOUNT, 1 INCH (NPT) PIPE MOUNT, or PERMANENT MOUNT. The threading for a 1 inch (NPT) pipe mounting is precast in the cast aluminum base,

**FLANGE MOUNT**

1. Select the mounting location taking into consideration visibility of the strobe light flash, mounting surface and ease of wiring.
2. Using the base gasket (ITEM 5) as a template, mark the 3 mounting holes and center wire access hole onto mounting surface.
3. Drill three mounting holes using a #29 drill (.136 inch, 3.5mm).
4. Drill the wire access hole using a 3/8 inch drill (.375 inch, 9.5mm). Be sure to remove burrs from access hole to prevent any damage to wires.

5. Place gasket (ITEM 5) on mounting surface aligned with the holes in the mounting surface. After connecting the beacon to the power cable, feed wires through wire access hole. Place beacon into proper position and slip mounting collar (ITEM 17) over beacon to fit around the base of the unit. Align the 3 holes in the mounting collar with the 3 mounting holes in the mounting surface. Use the 3 enclosed mounting screws (ITEM 18) to secure beacon to mounting surface.

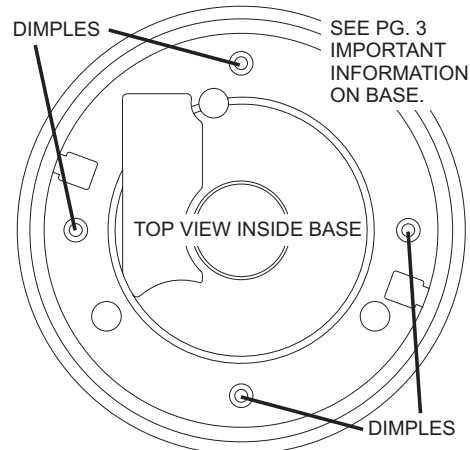
**1 INCH (NPT) PIPE MOUNT.**

1. Feed the power cable through the 1 inch pipe and connect the cable to the wires of the Beacon.
2. Screw the beacon to the threads on the 1 inch pipe, taking precaution not to damage the connected power supply wires.

**PERMANENT MOUNT**

This mounting of the strobe beacon is a tamper-proof way to secure the unit to the mounting surface. Mounting screws are hidden inside the base, and aren't accessible unless unit is dismantled.

1. Remove the screws holding on the optic dome (ITEM 20) and remove the dome. Then remove the screws holding on the power supply (ITEM 1) and remove the power supply.
2. Locate the four, .164 inch dimples within the perimeter of the cast aluminum base. (See illustration below). Punch these dimples out to create a hole for the mounting screws to fit through.
3. Using the base as a template mark the 4 mounting holes onto the mounting surface. Remove the base and mark in the center of the 4 mounting holes, the location of the wire access hole.
4. Drill the mounting holes into the mounting surface to fit customer supplied mounting hardware, drill the wire access hole using a 3/8 inch drill (.375 inch, 9.5mm). Remove burrs from wire access hole to prevent damage to wires. It is also recommended that you install a rubber grommet in each wire hole to protect the wires.
5. The gasket (ITEM 5) will be used between the base and the mounting surface. Cut the gasket along the perforated circle to fit diameter of base.
6. After connecting beacon to power cable, feed the wires through the cable access hole and place the base with the gasket on the mounting surface, lining up the mounting holes in the base with the ones in the mounting surface. Secure base firmly to mounting surface with customers hardware and reassemble beacon.



ASSEMBLY INSTRUCTIONS OF STROBE LIGHT  
POWER SUPPLY ASSEMBLY TO CAST ALUMINUM  
BASE, TO PREVENT ELECTRICAL SHORT CIRCUIT  
BETWEEN THESE TWO PARTS

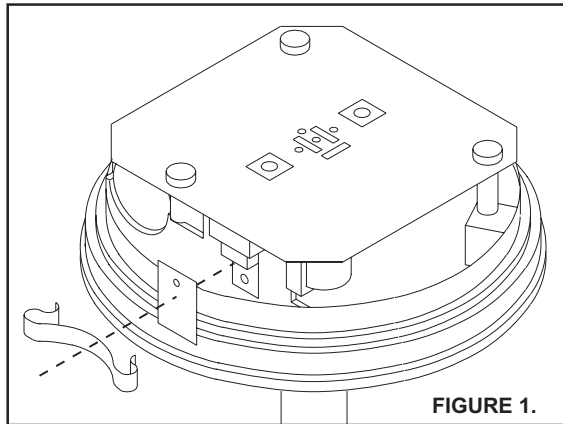


FIGURE 1.

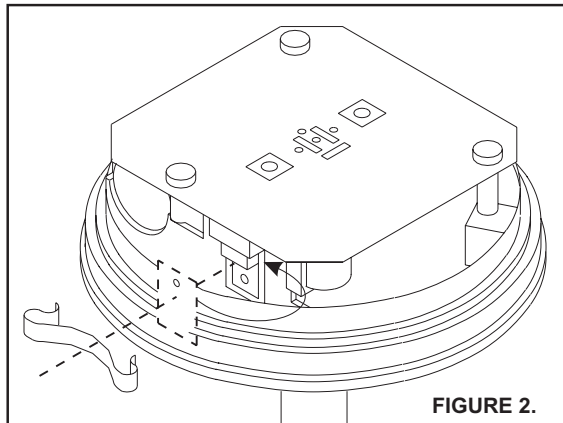


FIGURE 2.

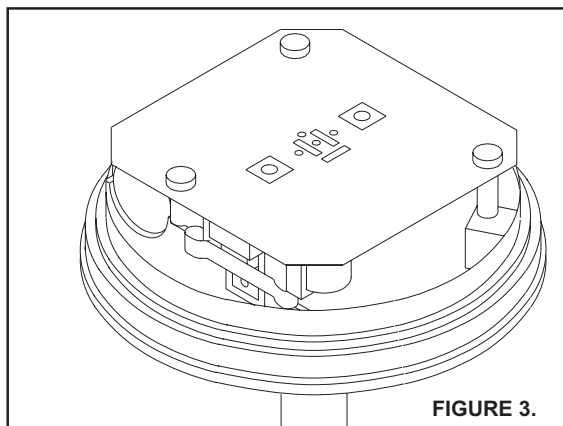


FIGURE 3.

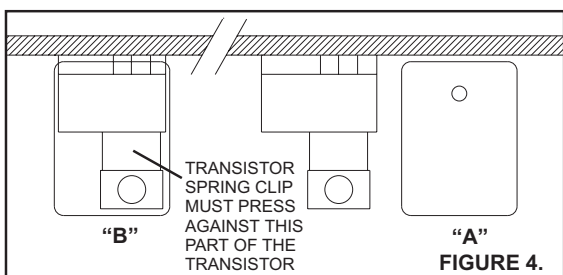
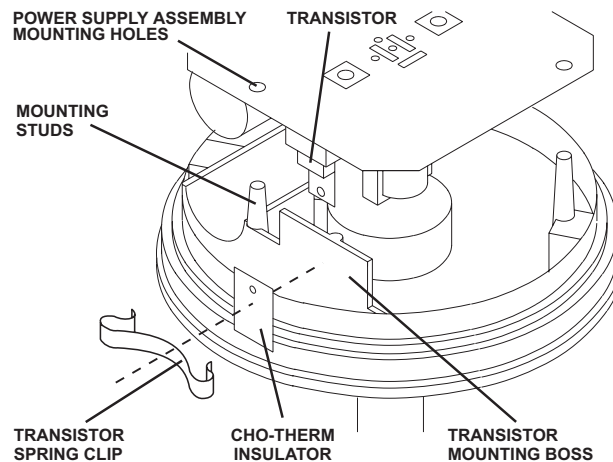


FIGURE 4.



**WARNING:** The strobe light power supply is a high voltage device. Do not touch or remove strobe tube assembly while unit is in operation. Wait at least 10 minutes after turning off power before starting work or any trouble shooting on the unit. On this page is described the assembly procedure of the strobe light power supply to the cast aluminum base. It is extremely important that the assembly steps, as described below, be followed exactly, to insure the proper insulation of the strobe light power supply from the cast aluminum base.

**FIGURE 1.** Lower the power supply assembly onto the cast aluminum base, with the three mounting holes lined up with the holes located on the three mounting studs of the cast aluminum base. During this assembly operation, the transistor on the power supply assembly has to be positioned on the outside of the transistor mounting boss. Secure the strobe light power supply assembly to the mounting studs with enclosed self tapping screws.

**FIGURE 2.** Slightly bend the transistor on the power supply away from the transistor mounting boss. Slip the Cho-Therm insulator behind the transistor with the hole directed towards the top (see figure 4 "A"). Position the top of the Cho-Therm insulator against the circuit board of the power supply assembly, making sure that some of it shows below the transistor (See figure 4 "B"). It is important that the transistor on the power supply assembly does not contact the transistor mounting boss at any place, as to prevent a damaging electrical short circuit between the strobe light power supply and the cast aluminum base.

**FIGURE 3.** Use the transistor spring clip to secure firmly the Cho-Therm insulator and the power supply transistor to the mounting boss of the cast aluminum base. Wrap one end of the clip around one side of the mounting boss, then press the other end in position using needle nose pliers. (See figure 5 and note in figure 4 "B").

TOP VIEW OF TRANSISTOR MOUNTING BOSS CHO-THERM INSULATOR AND TRANSISTOR TO BE SECURED BETWEEN TRANSISTOR SPRING CLIP AND TRANSISTOR MOUNTING BOSS (SEE NOTE IN FIGURE 4 "B")

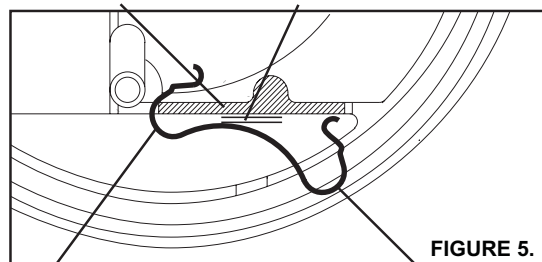


FIGURE 5.

SPRING CLIP AROUND ONE END OF TRANSISTOR MOUNTING BOSS PUSH OTHER END OF TRANSISTOR SPRING CLIP AROUND OTHER END OF TRANSISTOR MOUNTING BOSS