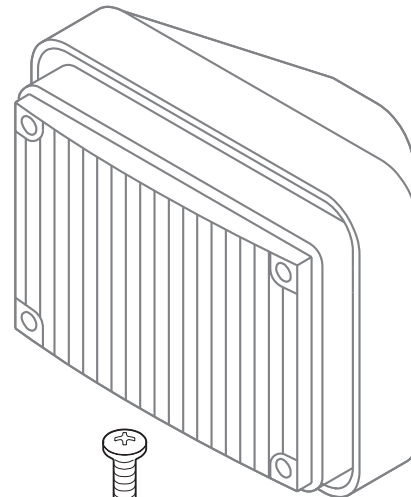


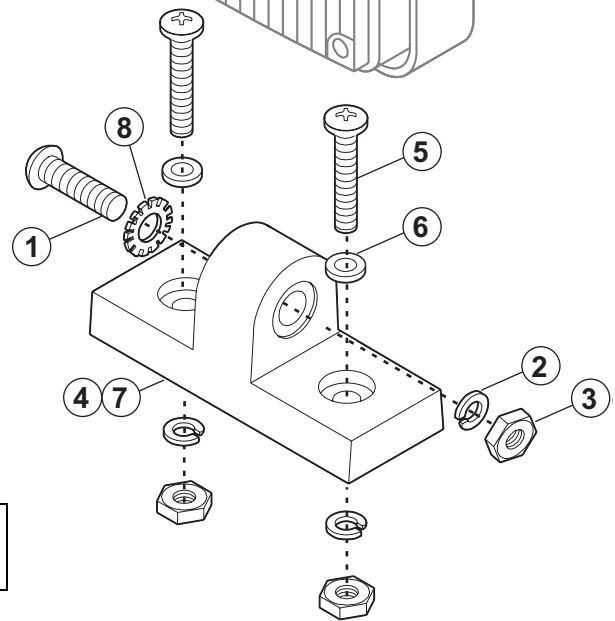
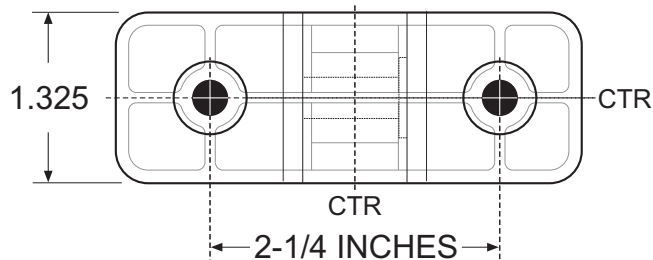
ROUTE 145, WINTHROP ROAD  
CHESTER, CONNECTICUT 06412-0684  
TELEPHONE: (860) 526-9504  
FAX: (860) 526-4078

QTY.	ITEM	PART NUMBER	DESCRIPTION
-	-	02-0380677-01	SWIVEL MOUNTING KIT / POLISHED FINISH
-	-	02-0380677-00	SWIVEL MOUNTING KIT / CAST FINISH
1	1	14-148436-320	5/16 - 18 X 2 INCH HEX HEAD SCREW
3	2	16-1431920-08	5/16 INCH LOCKWASHER
3	3	13-148120-080	5/16-18 HEX NUT
1	4	07-260734-000	SWIVEL BASE, CAST FINISH
2	5	114-148436-160	5/16 -18 X 1 INCH HEX HEAD
2	6	16-1402420-05	5/16 FLAT WASHER
1	7	07-260734-004	SWIVEL BASE, POLISHED
1	8	16-1412420-05	5/16 EX. TOOTH LOCK WASHER-SST



### MOUNTING CONFIGURATION

(Bottom View of Swivel Base)



**IMPORTANT:** The outer surfaces of this product may be cleaned with mild soap and water. Use of any other chemicals may void product warranty.