

WHELEN[®]

ENGINEERING COMPANY INC.

51 Winthrop Road
Chester, Connecticut 06412-0684
Phone: (860) 526-9504
Fax: (860) 526-4078
Internet: www.whelen.com
Sales e-mail: autosale@whelen.com
Canadian Sales e-mail: autocan@whelen.com
Customer Service e-mail: custserv@whelen.com

Installation Guide: Centurion™ Lightbar Option Model TACD06A (Traffic Advisor)

Safety First

This document provides all the necessary information to allow your Whelen product to be properly and safely installed. Before beginning the installation and/or operation of your new product, the installation technician and operator must read this manual completely. Important information is contained herein that could prevent serious injury or damage.

- Proper installation of this product requires the installer to have a good understanding of automotive electronics, systems and procedures.
- If mounting this product requires drilling holes, the installer **MUST** be sure that no vehicle components or other vital parts could be damaged by the drilling process. Check both sides of the mounting surface before drilling begins. Also de-burr any holes and remove any metal shards or remnants. Install grommets into all wire passage holes.
- If this manual states that this product may be mounted with suction cups, magnets, tape or Velcro®, clean the mounting surface with a 50/50 mix of isopropyl alcohol and water and dry thoroughly.
- Do not install this product or route any wires in the deployment area of your air bag. Equipment mounted or located in the air bag deployment area will damage or reduce the effectiveness of the air bag, or become a projectile that could cause serious personal injury or death. Refer to your vehicle owner's manual for the air bag deployment area. The User/Installer assumes full responsibility to determine proper mounting location, based on providing ultimate safety to all passengers inside the vehicle.
- For this product to operate at optimum efficiency, a good electrical connection to chassis ground must be made. The recommended procedure requires the product ground wire to be connected directly to the **NEGATIVE (-)** battery post.
- If this product uses a remote device to activate or control this product, make sure that this control is located in an area that allows both the vehicle and the control to be operated safely in any driving condition.
- Do not attempt to activate or control this device in a hazardous driving situation.
- This product contains either strobe light(s), halogen light(s), high-intensity LEDs or a combination of these lights. Do not stare directly into these lights. Momentary blindness and/or eye damage could result.
- Use only soap and water to clean the outer lens. Use of other chemicals could result in premature lens cracking (crazing) and discoloration. Lenses in this condition have significantly reduced effectiveness and should be replaced immediately. Inspect and operate this product regularly to confirm its proper operation and mounting condition. Do not use a pressure washer to clean this product.
- It is recommended that these instructions be stored in a safe place and referred to when performing maintenance and/or reinstallation of this product.
- **FAILURE TO FOLLOW THESE SAFETY PRECAUTIONS AND INSTRUCTIONS COULD RESULT IN DAMAGE TO THE PRODUCT OR VEHICLE AND/OR SERIOUS INJURY TO YOU AND YOUR PASSENGERS!**

For warranty information regarding this product, visit www.whelen.com/warranty

Installation:

1. Remove the two Torx head screws that hold the end cap onto the base (Fig. 1) and remove the end cap by sliding it out the side of the bar.
2. Slide all the lenses and dividers out of the end of the bar so you can get to the base. (Fig. 1) You may want to place the lenses and dividers aside, in the order you removed them, for easier reassembly.
IMPORTANT: You will notice that the lenses are seated very tightly into the lens divider gaskets to prevent leaks. You will need to insert a screwdriver at each corner (between the black endcap and aluminum base) and gently pry the lens out to break it free from the dividers. Pry each side out just a little at a time, alternating from one side to the other until the lens slides out easily. Before reassembling, apply a very small amount of liquid dish detergent to the sides of the rubber gaskets to help them slide in easier and obtain a better seal.
3. Measure the length of the base of the bar to find the exact center, and mark the center point with a pencil or marker.
4. Now mount the individual Traffic Advisor™ assemblies. The 2 single light assemblies must mount toward the outside of the bar on the 48", 52" and 72" bars. Start at the center. Follow the diagrams on the next page for the mounting configuration of the size of the bar you have.
5. Using your center mark as a guide, mark off a 1½" space in the center of the base. This will be the space between the 2 center double light assemblies (60" bar) or the center of the one double light assembly (48", 52" or 72" bar). Be sure to slide the extended lip that runs the entire length of the assembly, into the slot in the light bar base as shown in Figure 2, then attach the unit(s) to the base using the 2 supplied mounting screws.
6. Mount the 2 outer light assemblies leaving a 1½" space between each.

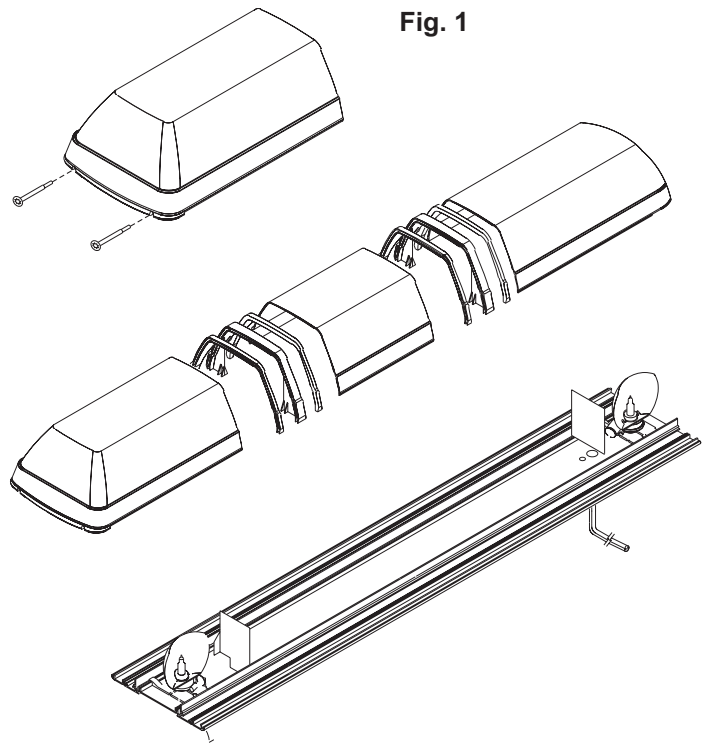


Fig. 1

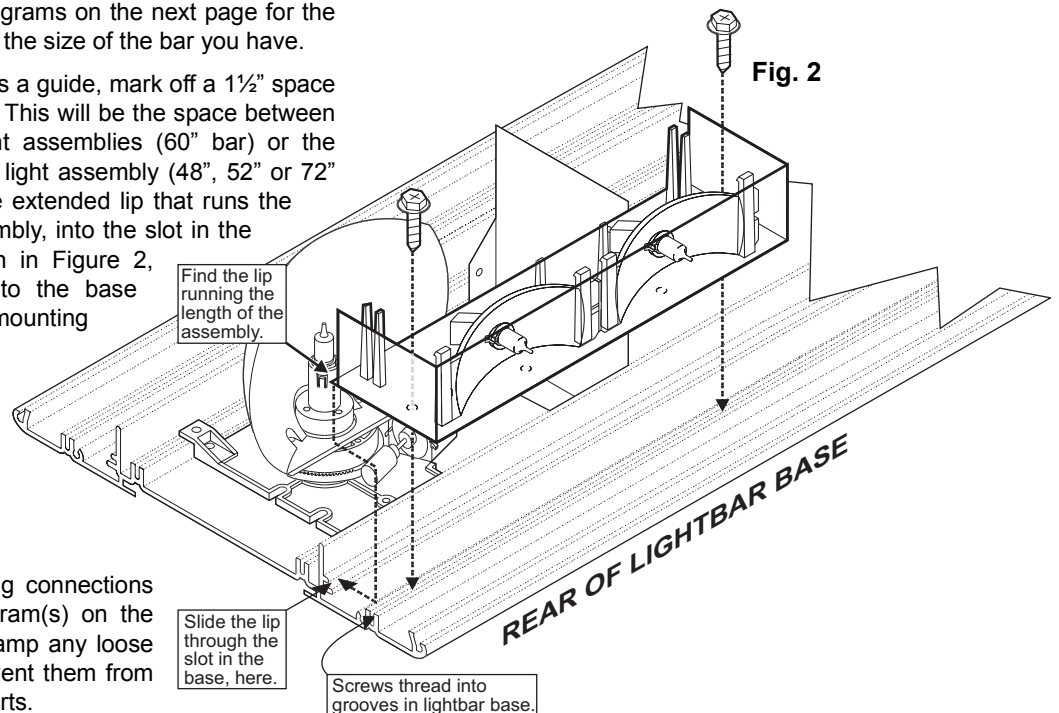
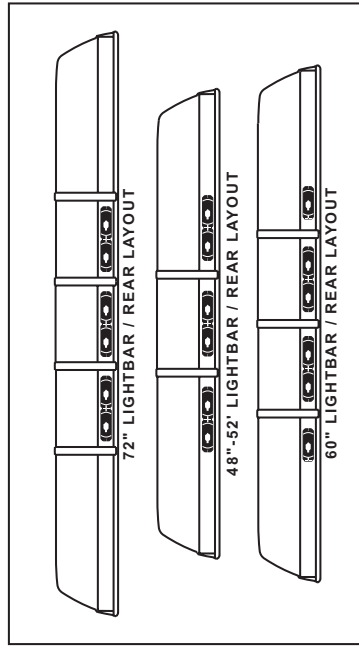
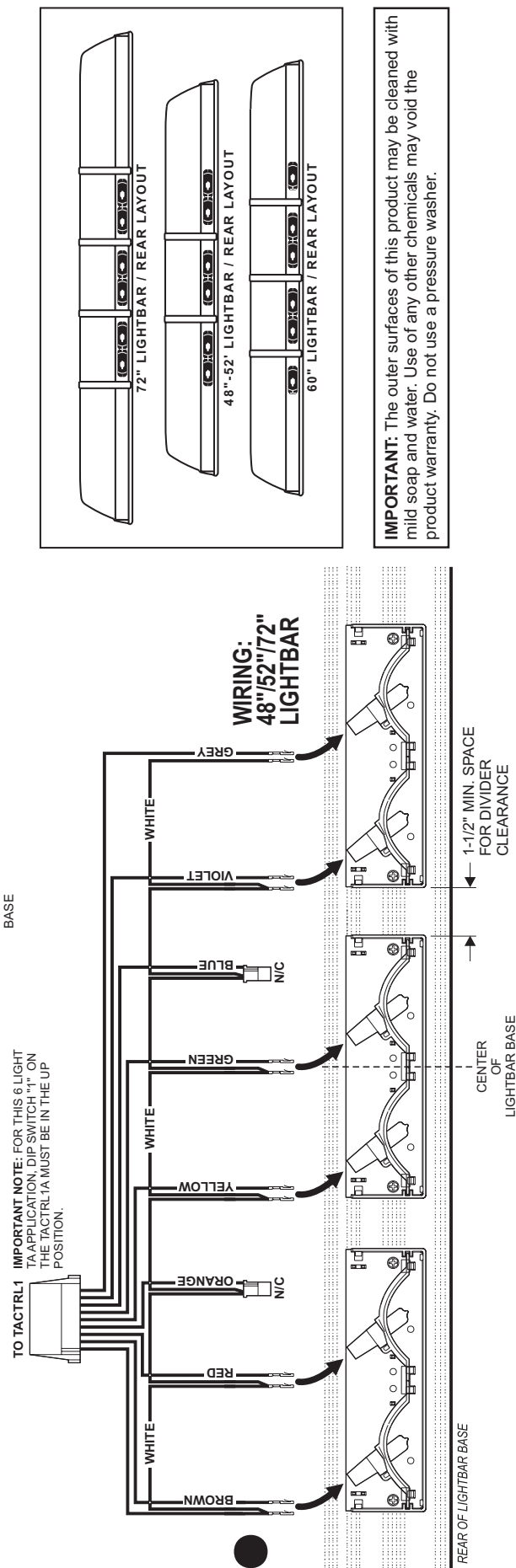
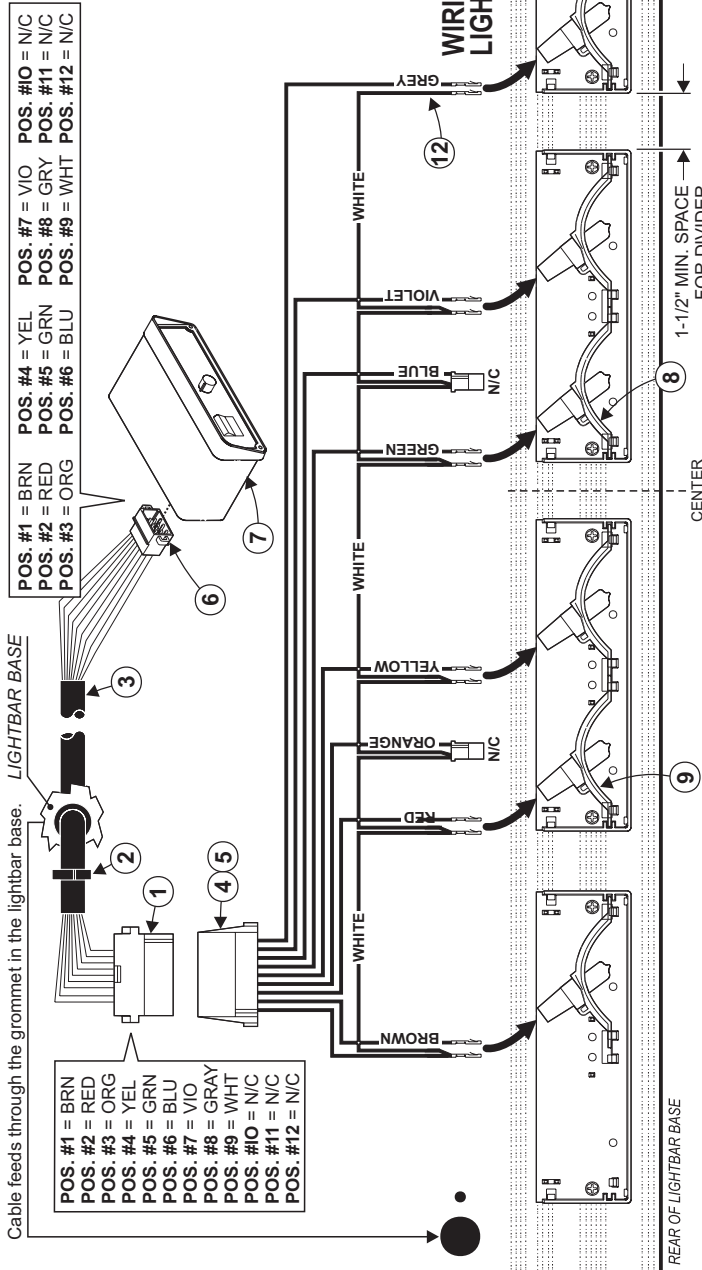


Fig. 2

Wiring:

1. Next make all your wiring connections following the wiring diagram(s) on the next page. Be sure to clamp any loose wires to the base to prevent them from interfering with moving parts.
2. Run the cable out of the bottom of the lightbar, through the grommeted cable hole as shown on the next page.
3. Reassemble the bar and plug the other end of the cable into your control head.

QTY	QTY	ITEM	PART NUMBER	DESCRIPTION
*	*	02-0363057-00	TRAFFIC ADVISOR™ 48" 52" BAR	
*	*	02-0363057-01	TRAFFIC ADVISOR™ 60" BAR	
*	*	02-0363057-02	TRAFFIC ADVISOR™ 72" BAR	
1	1	1	39-0412313-04	12 POS. AMP PIN HOUSING M / M
1	1	2	26-0121053-03	#44 CLAMP
1	1	3	46-0741346-17	CABLE ASSEMBLY 9' C / W / PINS BOTH ENDS / 17
1	1	4	46-0962988-00	HARNASS ASSEMBLY 48" / 52" / 60" TA
1	1	5	46-0962988-01	HARNASS ASSEMBLY 72" TA
1	1	6	39-0412014-14	12 POS. AMP PIN HOUSING
1	1	7	01-0682340-00	CONTROL HEAD ASSEMBLY / TACTRL1
6	6	8	34-0041987-04	LAMP HOLDER ASSEMBLY / 12V-20W
3	2	3	68-5182628-01	DUAL REFLECTOR
-	2	10	68-5142296-01	SINGLE REFLECTOR
6	8	6	SCREW / #8 X 3/8" HEX WASHER HD / TYPE B
2	2	2	39-0402023-04	SOCKET HOUSING 2 POS. AMP
3	4	3	68-3182929-10	LENS / FILTER / BRACKET / AMBER



IMPORTANT: The outer surfaces of this product may be cleaned with mild soap and water. Use of any other chemicals may void the product warranty. Do not use a pressure washer.