

WHELEN[®]

ENGINEERING COMPANY INC.

51 Winthrop Road
Chester, Connecticut 06412-0684
Phone: (860) 526-9504
Fax: (860) 526-4078
Internet: www.whelen.com
Sales e-mail: autosale@whelen.com
Canadian Sales e-mail: autocan@whelen.com
Customer Service e-mail: custserv@whelen.com

Installation Guide: Centurion™ Lightbar Option KROTFIL* (Stationary Filler Kit)

Safety First

This document provides all the necessary information to allow your Whelen product to be properly and safely installed. Before beginning the installation and/or operation of your new product, the installation technician and operator must read this manual completely. Important information is contained herein that could prevent serious injury or damage.

- Proper installation of this product requires the installer to have a good understanding of automotive electronics, systems and procedures.
- If mounting this product requires drilling holes, the installer **MUST** be sure that no vehicle components or other vital parts could be damaged by the drilling process. Check both sides of the mounting surface before drilling begins. Also de-burr any holes and remove any metal shards or remnants. Install grommets into all wire passage holes.
- If this manual states that this product may be mounted with suction cups, magnets, tape or Velcro®, clean the mounting surface with a 50/50 mix of isopropyl alcohol and water and dry thoroughly.
- Do not install this product or route any wires in the deployment area of your air bag. Equipment mounted or located in the air bag deployment area will damage or reduce the effectiveness of the air bag, or become a projectile that could cause serious personal injury or death. Refer to your vehicle owner's manual for the air bag deployment area. The User/Installer assumes full responsibility to determine proper mounting location, based on providing ultimate safety to all passengers inside the vehicle.
- For this product to operate at optimum efficiency, a good electrical connection to chassis ground must be made. The recommended procedure requires the product ground wire to be connected directly to the **NEGATIVE (-)** battery post.
- If this product uses a remote device to activate or control this product, make sure that this control is located in an area that allows both the vehicle and the control to be operated safely in any driving condition.
- Do not attempt to activate or control this device in a hazardous driving situation.
- This product contains either strobe light(s), halogen light(s), high-intensity LEDs or a combination of these lights. Do not stare directly into these lights. Momentary blindness and/or eye damage could result.
- Use only soap and water to clean the outer lens. Use of other chemicals could result in premature lens cracking (crazing) and discoloration. Lenses in this condition have significantly reduced effectiveness and should be replaced immediately. Inspect and operate this product regularly to confirm its proper operation and mounting condition. Do not use a pressure washer to clean this product.
- It is recommended that these instructions be stored in a safe place and referred to when performing maintenance and/or reinstallation of this product.
- **FAILURE TO FOLLOW THESE SAFETY PRECAUTIONS AND INSTRUCTIONS COULD RESULT IN DAMAGE TO THE PRODUCT OR VEHICLE AND/OR SERIOUS INJURY TO YOU AND YOUR PASSENGERS!**

For warranty information regarding this product, visit www.whelen.com/warranty

Removing the Lightbars Outer Lenses:

1. Remove the two Torx head screws that secure the end cap to the base. (Fig. 1)
2. Slide the lens sections off the end of the base and remove the dividers so you may gain access to the lightbar base. (Fig. 2) Be sure to note the order in which the lenses were installed on the lightbar.

IMPORTANT NOTE: You will notice that the lenses are seated very tightly into the lens divider gaskets to prevent leaks. You will need to insert a screwdriver at each corner (between the black endcap and aluminum base) and gently pry the lens out to break it free from the dividers. Pry each side out just a little at a time, alternating from one side to the other until the lens slides out easily. Before reassembling, apply a very small amount of liquid dish detergent to the sides of the rubber gaskets to help them slide in easier and obtain a better seal.

Filter Installation:

1. The filters install using the supplied mounting screws, which thread into the raised grooves cut into the lightbar base (refer to the diagrams on the next page). The *center* mounting foot of the filter will sit between the 2 mounting ears of the rotator base.
2. Place the filter(s) onto the lightbar base as shown in the diagrams. **NOTE:** If you have alley lights and you are installing the filters on either end of the lightbar, 2 of the outside mounting feet will share the same screw as the alley bracket.
3. Slide the filters as far away from the rotator as possible and after you are sure everything is lined up and no filter is touching the rotator, tighten all the mounting screws.
4. Reassemble the lightbar.

IMPORTANT NOTE: The outer surfaces of this product may be cleaned with mild soap and water. The use of any other chemicals may void the product warranty. Do not use a pressure washer.

Fig. 1

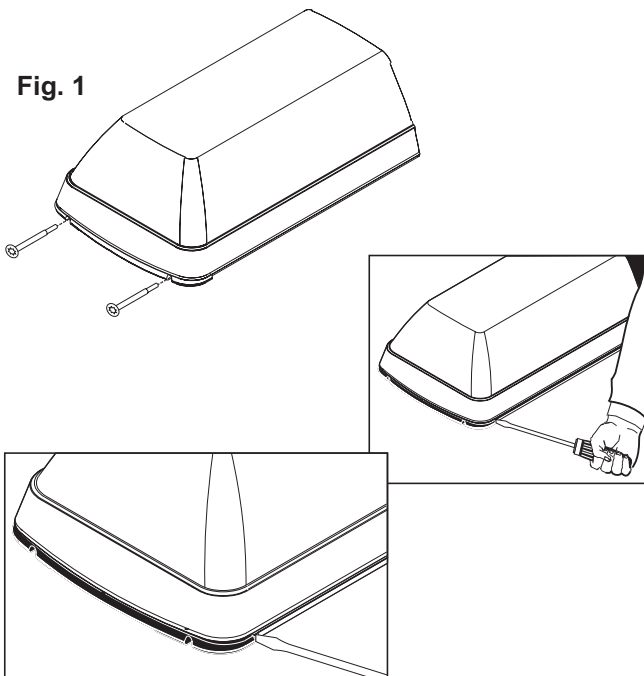
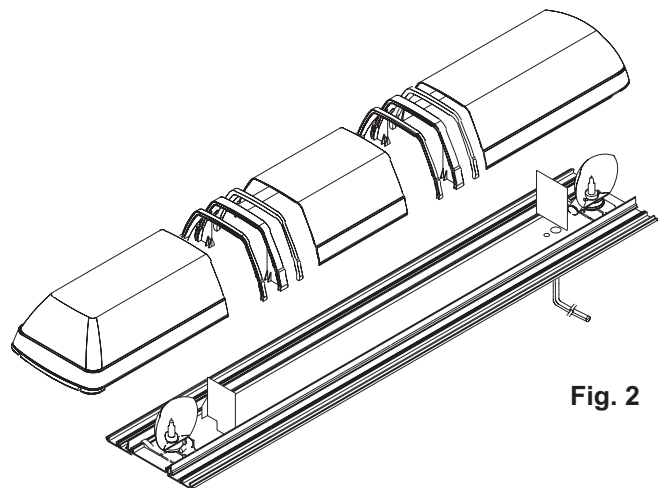
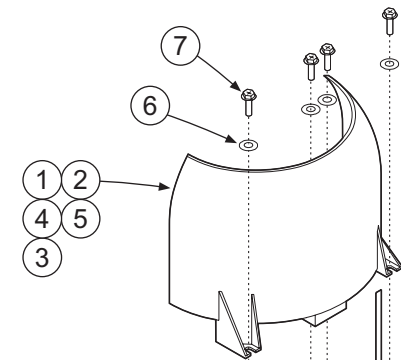
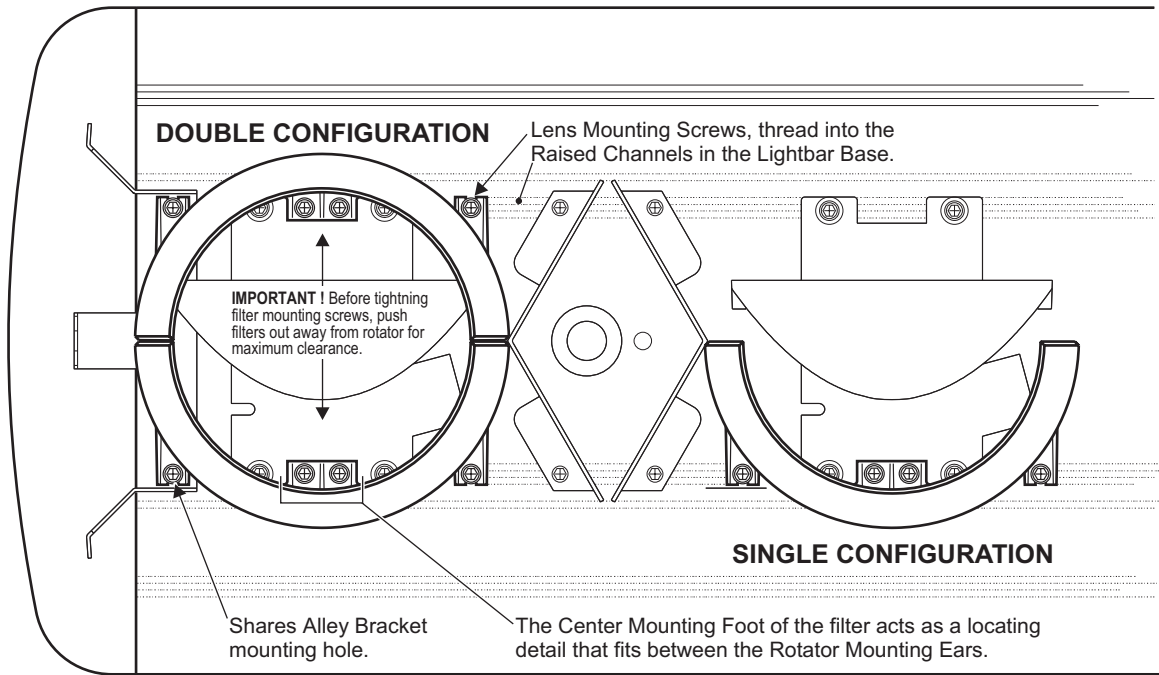


Fig. 2





QTY.	ITEM	PART NUMBER	DESCRIPTION
-	-	01-0463163-A0	STATIONARY FILTER KIT / AMBER
-	-	01-0463163-B0	STATIONARY FILTER KIT / BLUE
-	-	01-0463163-G0	STATIONARY FILTER KIT / GREEN
-	-	01-0463163-R0	STATIONARY FILTER KIT / RED
-	-	01-0463163-90	STATIONARY FILTER KIT / BLACK
A/R	1	68-7163096-A0	LENS / FILTER / AMBER
A/R	2	68-7163096-B0	LENS / FILTER / BLUE
A/R	3	68-7163096-G0	LENS / FILTER / GREEN
A/R	4	68-7163096-R0	LENS / FILTER / RED
A/R	5	68-7163096-90	LENS / FILTER / BLACK
4	6	16-1001220-06	#10 FLAT WASHER
4	7	15-081916-066	#8 X 3/8" PHEXWASHD TYPE B SS

