

ROUTE 145, WINTHROP ROAD
CHESTER, CONNECTICUT 06412-0684
TELEPHONE: (860) 526-9504
FAX: (860) 526-4078

Installation: Mounting the Traffic Advisor

The Traffic Advisor (T/A) mounting feet can be adjusted so that no matter what the angle of the selected mounting surface, the Traffic Advisor can deliver optimum visibility. See page 2.

CAUTION: Do not connect the T/A System to power until the installation is completed. When servicing or trouble shooting always disconnect it from the power source.

1. Remove the two lower brackets of the mounting feet from the mounting kit and secure them to the upper brackets with the supplied hardware. (Pg. 2)
2. Slide the mounting feet to their desired position inside the groove, and secure them with the hardware supplied (Pg. 2).
3. Slightly loosen the hex nuts holding the upper and lower brackets together and place the T/A in the desired position on the proposed mounting surface. Adjust the lower brackets of the mounting feet to rest firmly on the mounting surface. Trace the outline of these brackets on that surface. If the T/A's power cable is to pass through the mounting surface, be sure to mark the area for this passage hole.
4. Remove the T/A from the mounting surface and separate the lower brackets of the mounting feet from the upper brackets. Align these brackets with the outlines traced in the previous step. Trace mounting hole locations onto mounting surface.

NOTE: Make sure that the lower bracket is facing in the same direction as it was facing, when it was outlined on the mounting surface as indicated in step 3.

5. Examine the back side of the mounting surface to insure that no damage will occur when drilling the mounting holes. Drill mounting holes with a 7/32" drill. If a wire passage hole has been marked, drill the hole using a drill bit sized for the cable and for an appropriately sized grommet (customer supplied).
6. Secure lower brackets to mounting surface. (Pg. 2)
7. Lower the T/A assembly onto the two lower brackets secured to the mounting surface. Secure both brackets together with the supplied hex head screw, internal tooth lock washer, split lock washer and hex nut, in the same order as indicated on page 2. Before tightening the upper and lower brackets together, adjust the T/A to an angle best suited to its mounting location.

NOTE: There are two holes that can be used when assembling lower and upper brackets together, to position the T/A assembly at two different heights (Pg. 2).

8. Slide the cable through the wire passage hole and route the cable to the control head mounting location. Refer to diagram on page 2, and TACTRL1A manual for wiring.

Servicing the Traffic Advisor Assembly:

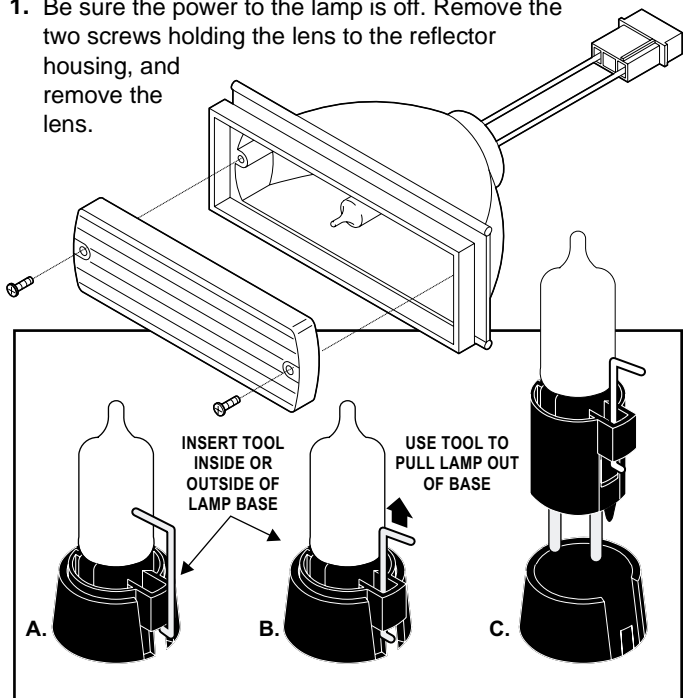
The Traffic Advisor can be field serviced without difficulty. If you need to replace the reflector, remove the end cap, disconnect the reflector from the internal wire harness and slide the reflector out of the extrusion. Use the same procedure in reverse order for reassembly. (Pg. 2)

Lamp Replacement: Halogen

WARNING: Replacing any bulb requires the use of safety glasses to prevent injury. To avoid injury, do not attempt to replace the lamp with your fingers. Use a lamp replacement tool or other suitable tool.

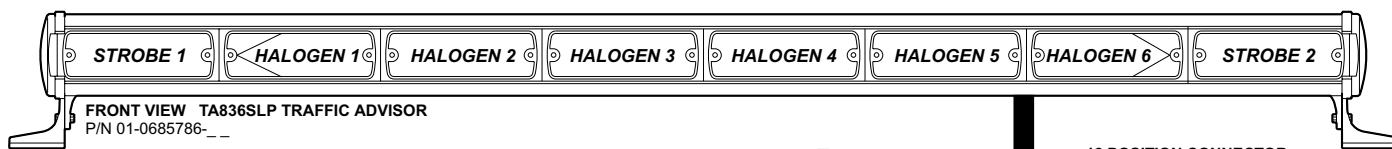
To Replace a Snap-In Bulb:

1. Be sure the power to the lamp is off. Remove the two screws holding the lens to the reflector housing, and remove the lens.



2. Locate the removal tool included with your new bulb. Use the small end of the tool on either the outside (A) or inside (B) of the base to lift the base of the bulb assembly away from the socket as shown. Continue to lift until bulb is free.
3. Insert the alignment tab of the new bulb into the bulb holder and press downwards to lock the new bulb into place.

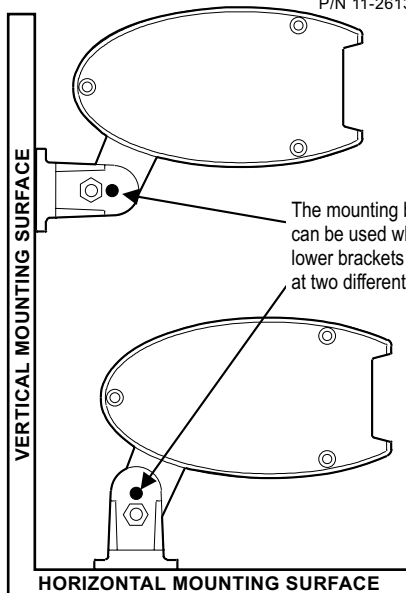
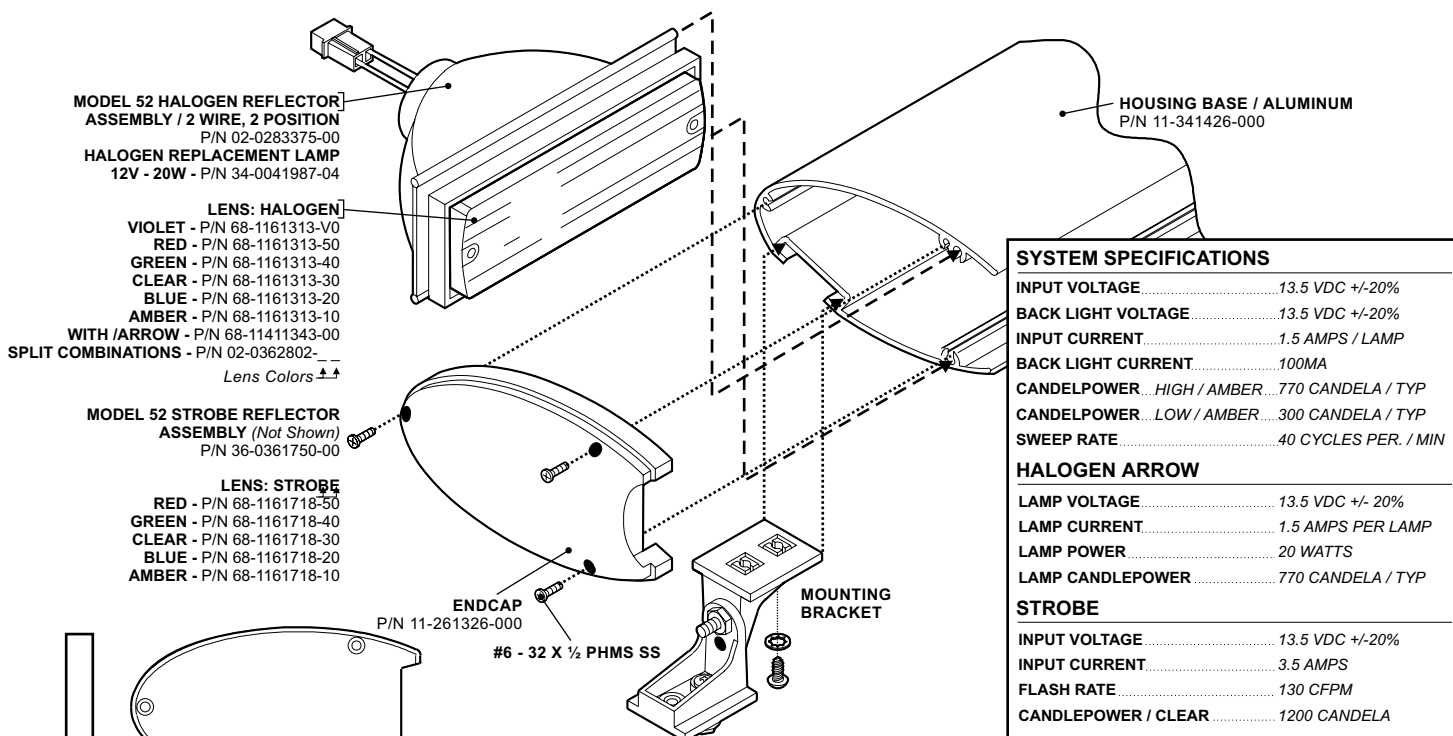
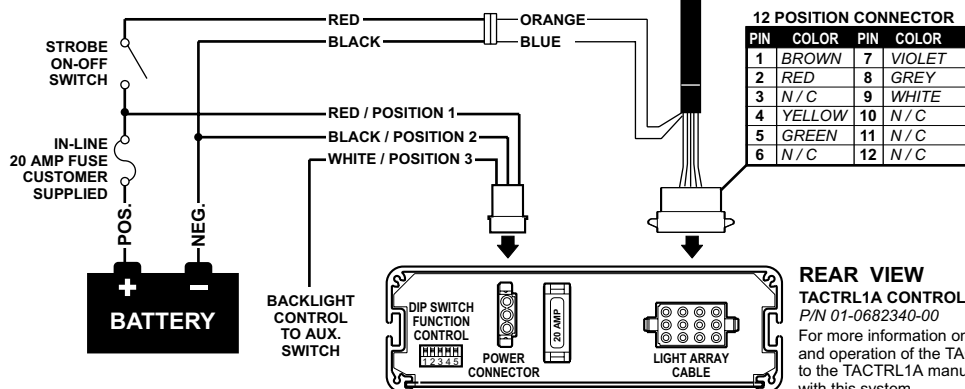
NOTE: Strobe tubes are not replaceable. If a strobe tube burns out, you must replace the entire assembly.



FRONT VIEW TA836SLP TRAFFIC ADVISOR
P/N 01-0685786-__

WARNING: "All customer supplied wires, that connect to the positive terminal of the battery must be sized to supply at least 125% of the maximum operating current, and fused at the battery to carry the load.

NOTE: The outer surfaces of this product (T/A) may be cleaned with mild soap and water. Use of any other chemicals may void product warranty. Do not use a pressure washer.



The mounting brackets have two holes that can be used while attaching the upper and lower brackets together, to position the T/A at two different heights.

