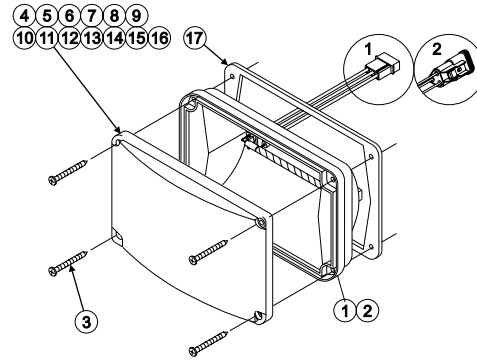
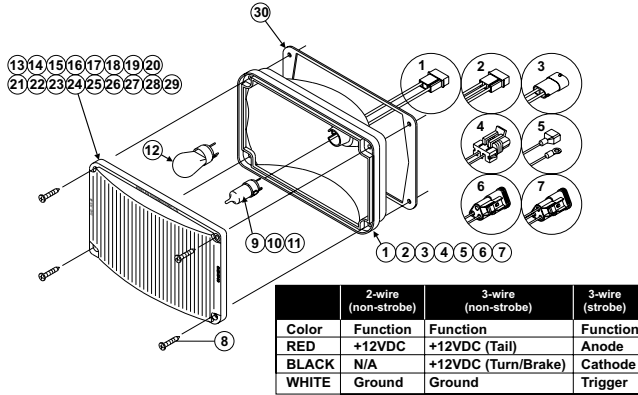


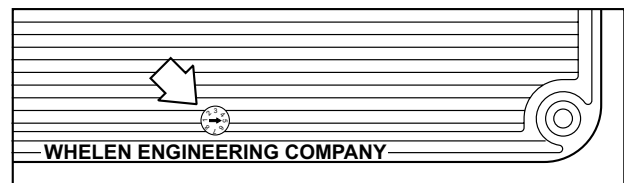
ROUTE 145, WINTHROP ROAD  
 CHESTER, CONNECTICUT 06412-0684  
 TELEPHONE: (860) 526-9504  
 FAX: (860) 526-4078



ITEM	DESCRIPTION	PART NUMBER
1	REFLECTOR (2 WIRE/3 POS.)	02-0283450-00
2	REFLECTOR (3 WIRE/3 POS.)	02-0283450-01
3	REFLECTOR (2 WIRE/PACKARD (PIN))	02-0283450-02
4	REFLECTOR (2 WIRE/PACKARD (SOCKET))	02-0283450-03
5	REFLECTOR (2 WIRE/RING & FASTON)	02-0283450-04
6	REFLECTOR (2 WIRE/DEUTSCH)	02-0283450-05
7	REFLECTOR (3 WIRE/DEUTSCH)	02-0283450-06
8	SCREW, #6 x 1/4" PPHSMS	N/A
9	SNAP-IN HALOGEN BULB (12V/35W)	34-0041987-00
10	SNAP-IN HALOGEN BULB (12V/50W)	34-0041987-01
11	SNAP-IN HALOGEN BULB (12V/27W)	34-0041987-03
12	SNAP-IN BULB (12.8/14V-27/12W)	34-0062389-00
13	6E LENS, AMBER	68-1183342-10
14	6E LENS, BLUE	68-1183342-20
15	6E LENS, CLEAR	68-1183342-30
16	6E LENS, GREEN	68-1183342-40
17	6E LENS, RED	68-1183342-50
18	6E LENS, SCENELIGHT, CLEAR	68-1183410-30
19	6E LENS, KKKE-SPEC RED	68-1183342E50
20	6E HALOGEN SPLIT LENS	02-0383489( )
21	64 LENS, AMBER (ARROW)	68-1183490-10
22	64 LENS, RED (ARROW)	68-1183490-50
23	64 LENS, AMBER/AMBER (ARROW)	68-1183490-AA
24	64 LENS, AMBER	68-1181363-11
25	64 LENS, BLUE	68-1181363-21
26	64 LENS, CLEAR	68-1181363-31
27	64 LENS, GREEN	68-1181363-41
28	64 LENS, RED	68-1181363-51
29	64 HALOGEN SPLIT LENS	02-0382018( )
30	GASKET	38-0242717-00

ITEM	DESCRIPTION	PART NUMBER
1	LINEAR STROBE REFLECTOR (AMP Connector)	02-0363173-00
2	LINEAR STROBE REFLECTOR (Deutsch Connector)	02-0363173-01
3	#6 x 1/4" PPHSMS	N/A
4	6E STROBE LENS, AMBER	68-3183416-10
5	6E STROBE LENS, BLUE	68-3183416-20
6	6E STROBE LENS, CLEAR	68-3183416-30
7	6E STROBE LENS, GREEN	68-3183416-40
8	6E STROBE LENS, RED	68-3183416-50
9	6E STROBE LENS, KKKE-SPEC RED	68-3183416E50
10	6E STROBE SPLIT LENS	02-0383481( )
11	64 STROBE LENS, AMBER	68-1182117-11
12	64 STROBE LENS, BLUE	68-1182117-21
13	64 STROBE LENS, CLEAR	68-1182117-31
14	64 STROBE LENS, GREEN	68-1182117-41
15	64 STROBE LENS, RED	68-1182117-51
16	64 STROBE SPLIT LENS	02-0382888( )
17	GASKET	38-0242717-00

The outer surfaces of this product may be cleaned with mild soap and water. Use of any other chemicals may void product warranty. Do not use a pressure washer.



**NOTE:** If you have a "Scenelight" lens, the date stamp on the lens must be located on the bottom when mounting.

## Installation Instructions . . .

1. Examine the various mounting styles shown on page 2. Secure the housing to the mounting surface as shown in the illustration matching your application.
2. Flange mounting requires the use of the template on page 4 to prepare the mounting surface for installation. Use the templates on page 3 for "Cast" mounting dimensions.

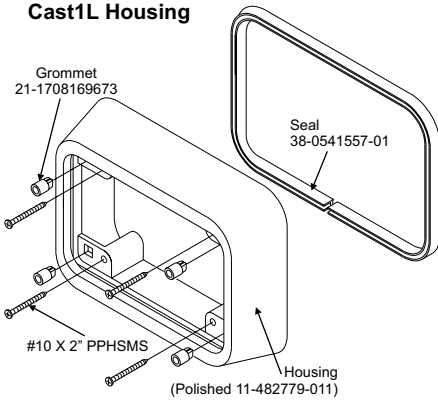
**NOTE:** The mounting diagrams are not to scale. Use for reference only. **WARNING!** This installation requires drilling. It is necessary to make sure that nothing will be damaged in the process. If damage is possible, select another location.

3. Extend the appropriate cable from the designated power source to the selected mounting location.

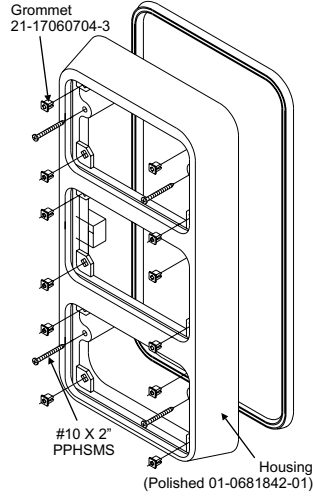
**IMPORTANT:** All customer supplied wires that connect to the positive terminal of the battery must be sized to supply at least 125% of the maximum operating current and fused at the battery to carry that load.

4. Connect the wires to your power source. Be sure to test for proper operation of your lighthead prior to active field use or duty.

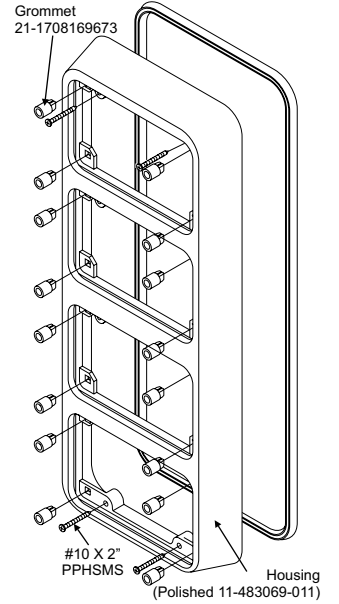
**Cast1L Housing**



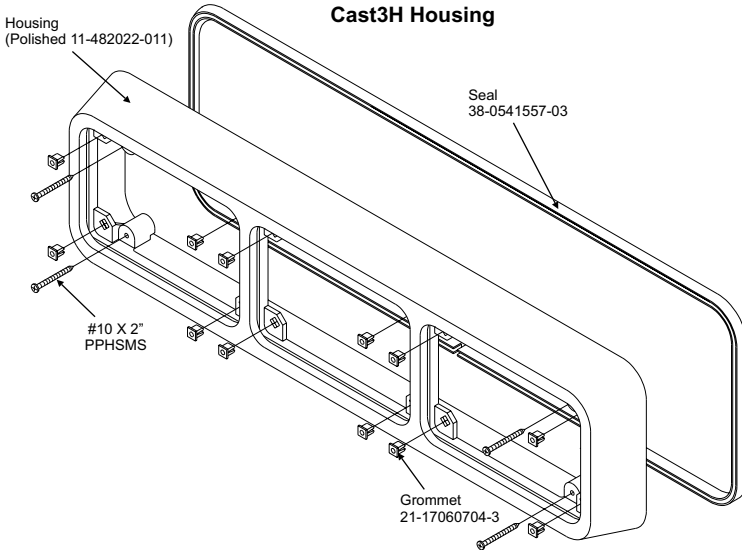
**Cast3 Housing**



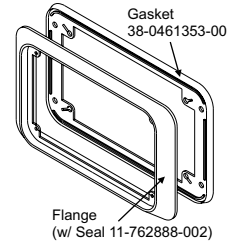
**Cast4 Housing**



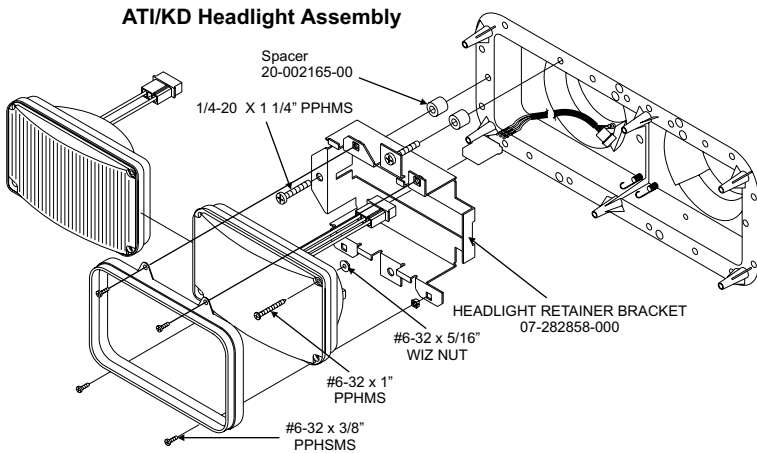
**Cast3H Housing**



**Flanged Housing**



**ATI/KD Headlight Assembly**



**Grote Headlight Assembly**

