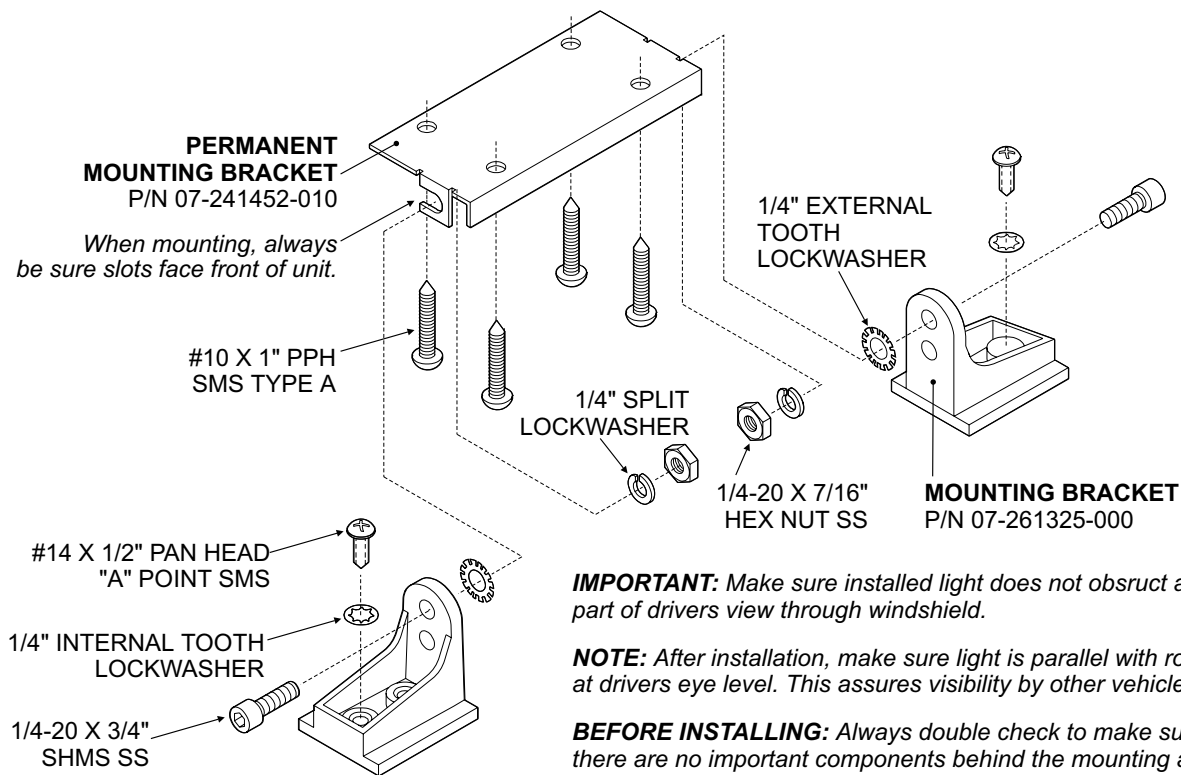


ROUTE 145, WINTHROP ROAD
 CHESTER, CONNECTICUT 06412-0684
 TELEPHONE: (860) 526-9504
 FAX: (860) 526-4078

for Dash-Miser™ & Dash-Miser™ Plus Series

READ BEFORE INSTALLING: Do not install this product or route any wires in the deployment area of your vehicles airbag. Equipment mounted or located in the airbag deployment area will damage or reduce the effectiveness of the airbag, or become a projectile that could cause serious personal injury or death. Refer to your vehicle owners manual for airbag deployment area.

The User / Installer assumes full responsibility to determine the proper mounting location, based on providing ultimate safety to all passengers inside the vehicle. Whelen Engineering Co. Inc. assumes no liability or responsibility for determining individual applications or exact installation location criteria.



IMPORTANT: Make sure installed light does not obstruct any part of drivers view through windshield.

NOTE: After installation, make sure light is parallel with road at drivers eye level. This assures visibility by other vehicles.

BEFORE INSTALLING: Always double check to make sure there are no important components behind the mounting area that may be damaged. If there are, select a new mounting area.