

# WHELEN<sup>®</sup>

ENGINEERING COMPANY INC.

Route 145, Winthrop Road,

Chester, Connecticut 06412

Phone: (860) 526-9504

Fax: (860) 526-4078

Internet: [www.whelen.com](http://www.whelen.com)

Sales e-mail: [autosale@whelen.com](mailto:autosale@whelen.com)

Canadian Sales e-mail: [autocan@whelen.com](mailto:autocan@whelen.com)

Customer Service e-mail: [custserv@whelen.com](mailto:custserv@whelen.com)

## Installation Guide: Dash-King™ Mounting Bracket (Rear Deck)

### Safety First

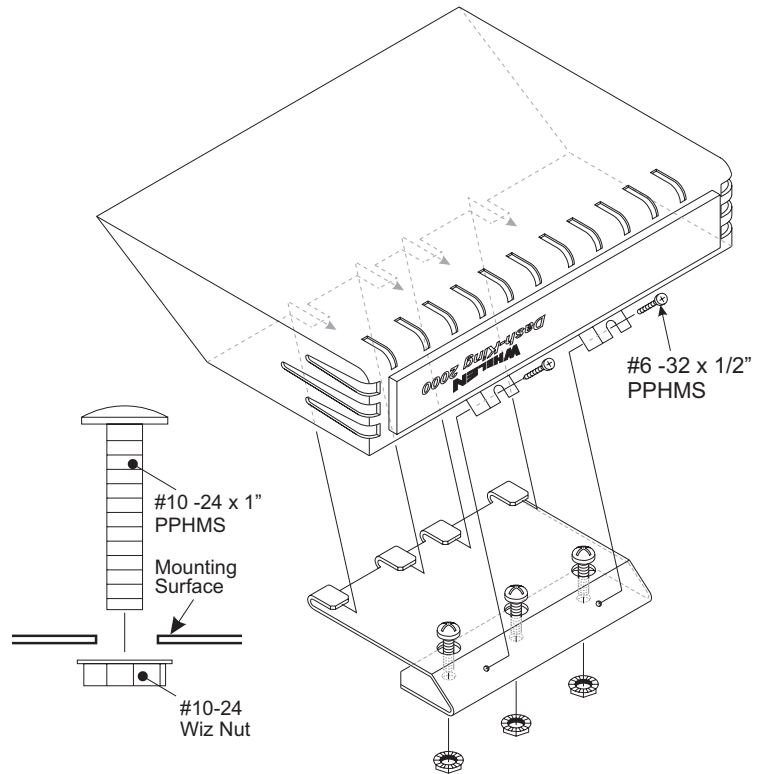
This document provides all the necessary information to allow your Whelen product to be properly and safely installed. Before beginning the installation and/or operation of your new product, the installation technician and operator must read this manual completely. Important information is contained herein that could prevent serious injury or damage.

- Proper installation of this product requires the installer to have a good understanding of automotive electronics, systems and procedures.
- If mounting this product requires drilling holes, the installer **MUST** be sure that no vehicle components or other vital parts could be damaged by the drilling process. Check both sides of the mounting surface before drilling begins. Also de-burr the holes and remove any metal shards or remnants. Install grommets into all wire passage holes.
- If this manual states that this product may be mounted with suction cups, magnets, tape or Velcro™, clean the mounting surface with a 50/50 mix of isopropyl alcohol and water and dry thoroughly.
- Do not install this product or route any wires in the deployment area of your air bag. Equipment mounted or located in the air bag deployment area will damage or reduce the effectiveness of the air bag, or become a projectile that could cause serious personal injury or death. Refer to your vehicle owners manual for the air bag deployment area. The User/Installer assumes full responsibility to determine proper mounting location, based on providing ultimate safety to all passengers inside the vehicle.
- For this product to operate at optimum efficiency, a good electrical connection to chassis ground must be made. The recommended procedure requires the product ground wire to be connected directly to the **NEGATIVE (-)** battery post (this does not include products that use cigar power cords).
- If this product uses a remote device for activation or control, make sure that this device is located in an area that allows both the vehicle and the device to be operated safely in any driving condition.
- Do not attempt to activate or control this device in a hazardous driving situation.
- This product contains either strobe light(s), halogen light(s), high-intensity LEDs or a combination of these lights. Do not stare directly into these lights. Momentary blindness and/or eye damage could result.
- Use only soap and water to clean the outer lens. Use of other chemicals could result in premature lens cracking (crazing) and discoloration. Lenses in this condition have significantly reduced effectiveness and should be replaced immediately. Inspect and operate this product regularly to confirm its proper operation and mounting condition. Do not use a pressure washer to clean this product.
- It is recommended that these instructions be stored in a safe place and referred to when performing maintenance and/or reinstallation of this product.
- **FAILURE TO FOLLOW THESE SAFETY PRECAUTIONS AND INSTRUCTIONS COULD RESULT IN DAMAGE TO THE PRODUCT OR VEHICLE AND/OR SERIOUS INJURY TO YOU AND YOUR PASSENGERS!**

**For warranty information regarding this product, visit [www.whelen.com/warranty](http://www.whelen.com/warranty)**

### For “Visor-Up” Mounting...

1. Locate the #6-32 x 1/2” PPH machine screws included with your bracket and mount the bracket to the DashKing as shown.
2. Position the DashKing/Bracket assembly into its desired mounting location on the rear deck. Make sure that the DashKing is not in contact with the rear window.
3. When the desired location has been achieved, trace the outline of the bracket onto the mounting surface. Remove the bracket from the DashKing.
4. Return the bracket to its mounting location and scribe the areas where the mounting holes are to be drilled.
5. Using an appropriately sized bit, carefully drill a hole through the package tray at each of the locations marked in the previous step.
6. Using the provided mounting hardware, secure the bracket to the mounting surface.
7. Re-mount the DashKing firmly onto the bracket.



### For “Visor-Down” Mounting...

1. Locate the #6-32 x 1/2” PPHMS, mount the bracket to the DashKing as shown.
2. Position the DashKing/Bracket assembly into its desired mounting location on the rear deck. Make sure that the DashKing is not in contact with the rear window.
3. When the desired location has been achieved, scribe the area where the mounting holes are to be drilled.
4. Using an appropriately sized bit, carefully drill a hole through the package tray at each of the locations marked in the previous step.
5. With the DashKing/Bracket assembly in position insert the mounting hardware as shown.

**NOTE: Depending upon the application, it may be easier to mount the bracket to the mounting surface with the DashKing removed from the bracket**

