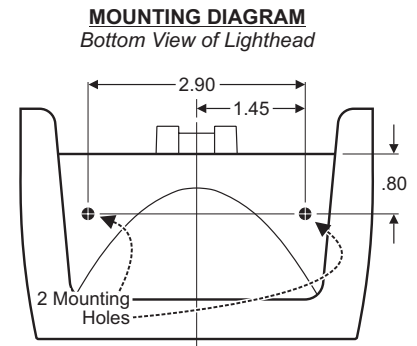
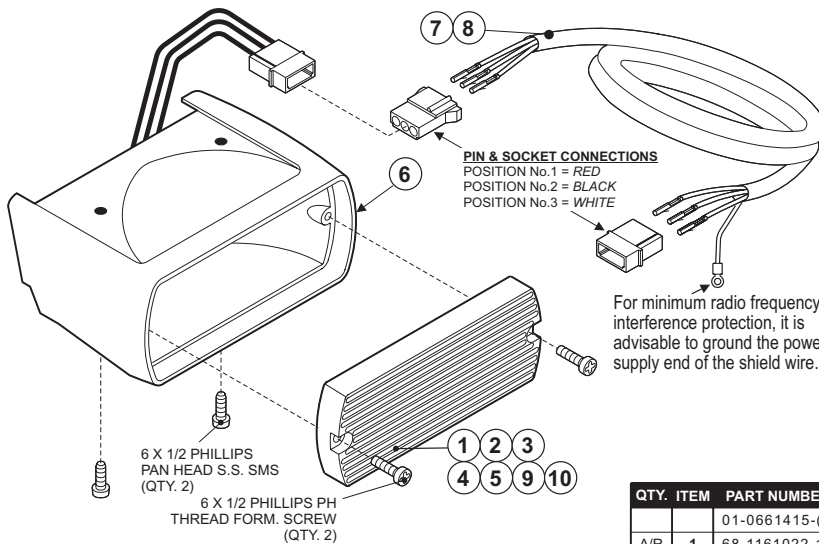


WHELEN[®]

ENGINEERING COMPANY INC.

51 Winthrop Road
 Chester, Connecticut 06412-0684
 Phone: (860) 526-9504
 Fax: (860) 526-4078
 Internet: www.whelen.com
 Sales e-mail: autosale@whelen.com
 Canadian Sales e-mail: autocan@whelen.com
 Customer Service e-mail: custserv@whelen.com

Installation Guide: Strobe Lighthead (Grille-mount)



IMPORTANT: The outer surfaces of this product may be cleaned with mild soap and water. Use of any other chemicals may void product warranty. Do not use a pressure washer.

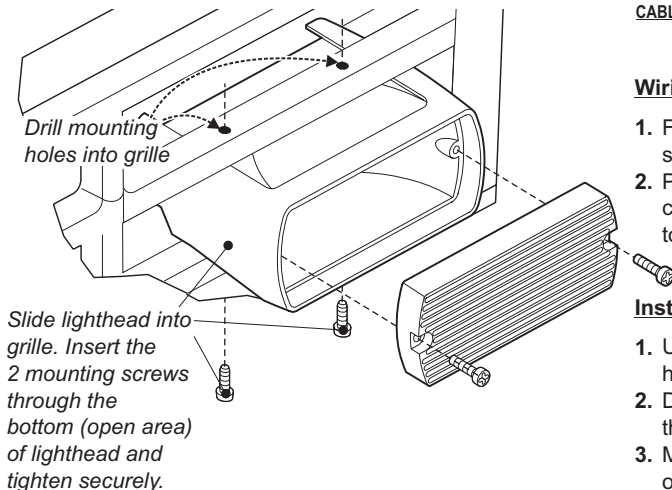
WARNING: All customer supplied wires that connect to the positive terminal of the battery, must be sized to supply at least 125% of the maximum operating current, and fused at the battery to carry the load.

WARNING: The strobe light power supply is a high voltage device. Do not touch or remove strobe tube assembly while unit is in operation. Wait at least 10 minutes after turning off power before starting work or trouble shooting.

QTY.	ITEM	PART NUMBER	DESCRIPTION
		01-0661415-()	GRILLE MODULE ASSEMBLY / STROBE
A/R	1	68-1161022-10	OPTIC LENS / AMBER
A/R	2	68-1161022-20	OPTIC LENS / BLUE
A/R	3	68-1161022-30	OPTIC LENS / CLEAR
A/R	4	68-1161022-40	OPTIC LENS / GREEN
A/R	5	68-1161022-50	OPTIC LENS / RED
1	6	02-0340961-00	REFLECTOR ASSEMBLY
A/R	7	01-0440624-15	CABLE ASSY & INSTALL KIT / 15'
A/R	8	02-0240624-20	CABLE ASSEMBLY / 20' EXTENSION
A/R	9	02-0362801-*	SPLIT LENS / Specify lens colors in place of asterisks
A/R	10	68-1161022-V0	OPTIC LENS / VIOLET

EXAMPLE OF ORDERING CODE: 01-0661415-**A**1 **COLOR CODE** **CABLE CODE**

COLOR CODE: A = AMBER B = BLUE C = CLEAR G = GREEN R = RED V = VIOLET * = SPLIT
CABLE CODE: 1 = WITH CABLE 0 = WITHOUT CABLE



Wiring:

1. Find the pin and socket connectors and the extension cable supplied with the lighthead and connect them as shown.
2. Plug the pin end of the extension cable into the socket connector coming from the lighthead, the socket end will go to your power supply after installation is complete.

Installation

1. Using the lighthead as a template mark the two mounting holes off onto the mounting surface.
2. Drill the mounting holes using an appropriately sized drill for the 6 X 1/2 Phillips Pan Head Sheet Metal Screws supplied.
3. Mount as shown. Lighthead can be mounted either sitting on or hanging from the grille.