

# WHELEN<sup>®</sup>

ENGINEERING COMPANY INC.

51 Winthrop Road  
Chester, Connecticut 06412-0684  
Phone: (860) 526-9504  
Fax: (860) 526-4078  
Internet: [www.whelen.com](http://www.whelen.com)  
Sales e-mail: [autosale@whelen.com](mailto:autosale@whelen.com)  
Canadian Sales e-mail: [autocan@whelen.com](mailto:autocan@whelen.com)  
Customer Service e-mail: [custserv@whelen.com](mailto:custserv@whelen.com)

## Installation Guide: Edge<sup>®</sup> Mini LFL 22" 4-Strobe Lightbar

### Safety First

This document provides all the necessary information to allow your Whelen product to be properly and safely installed. Before beginning the installation and/or operation of your new product, the installation technician and operator must read this manual completely. Important information is contained herein that could prevent serious injury or damage.

- Proper installation of this product requires the installer to have a good understanding of automotive electronics, systems and procedures.
- If mounting this product requires drilling holes, the installer **MUST** be sure that no vehicle components or other vital parts could be damaged by the drilling process. Check both sides of the mounting surface before drilling begins. Also de-burr any holes and remove any metal shards or remnants. Install grommets into all wire passage holes.
- If this manual states that this product may be mounted with suction cups, magnets, tape or Velcro<sup>®</sup>, clean the mounting surface with a 50/50 mix of isopropyl alcohol and water and dry thoroughly.
- Do not install this product or route any wires in the deployment area of your air bag. Equipment mounted or located in the air bag deployment area will damage or reduce the effectiveness of the air bag, or become a projectile that could cause serious personal injury or death. Refer to your vehicle owner's manual for the air bag deployment area. The User/Installer assumes full responsibility to determine proper mounting location, based on providing ultimate safety to all passengers inside the vehicle.
- For this product to operate at optimum efficiency, a good electrical connection to chassis ground must be made. The recommended procedure requires the product ground wire to be connected directly to the **NEGATIVE (-)** battery post.
- If this product uses a remote device to activate or control this product, make sure that this control is located in an area that allows both the vehicle and the control to be operated safely in any driving condition.
- Do not attempt to activate or control this device in a hazardous driving situation.
- This product contains either strobe light(s), halogen light(s), high-intensity LEDs or a combination of these lights. Do not stare directly into these lights. Momentary blindness and/or eye damage could result.
- Use only soap and water to clean the outer lens. Use of other chemicals could result in premature lens cracking (crazing) and discoloration. Lenses in this condition have significantly reduced effectiveness and should be replaced immediately. Inspect and operate this product regularly to confirm its proper operation and mounting condition. Do not use a pressure washer to clean this product.
- It is recommended that these instructions be stored in a safe place and referred to when performing maintenance and/or reinstallation of this product.
- **FAILURE TO FOLLOW THESE SAFETY PRECAUTIONS AND INSTRUCTIONS COULD RESULT IN DAMAGE TO THE PRODUCT OR VEHICLE AND/OR SERIOUS INJURY TO YOU AND YOUR PASSENGERS!**

**For warranty information regarding this product, visit [www.whelen.com/warranty](http://www.whelen.com/warranty)**

The Mini-LFL Lightbar is wired at the factory and comes ready to use after a simple hook-up to your vehicles 12 Volt battery. Refer to the mounting guide included with your lightbar for permanent mounting information.

## Installation: Magnetic Mount

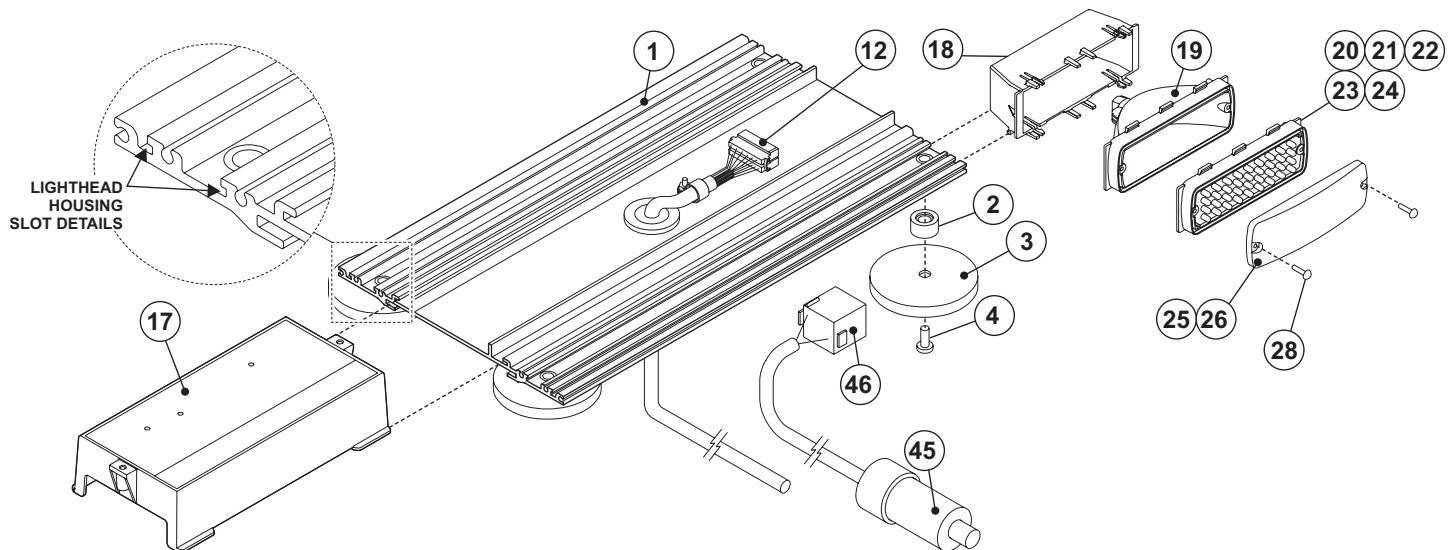
**IMPORTANT! The lightbar should be located a minimum of 16" from any radio antennas!**

Magnetic mounting allows you to mount your lightbar, so that you can remove it if necessary and avoid drilling.

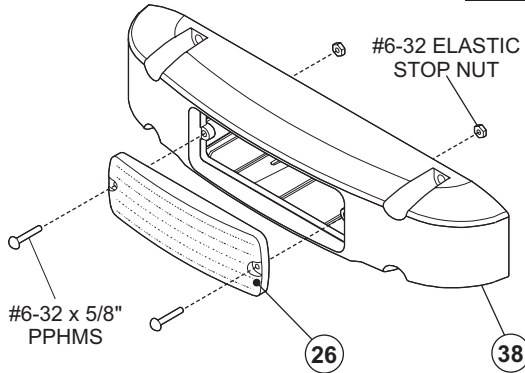
**WARNING! THE USE OF ANY MAGNETICALLY MOUNTED WARNING DEVICE ON THE OUTSIDE OF A VEHICLE IN MOTION IS NOT RECOMMENDED AND IS THE SOLE RISK AND RESPONSIBILITY OF THE USER.**

QTY	ITEM	PART NUMBER	DESCRIPTION
*		01-0883624-00	LIGHTBAR ASSEMBLY / MINI "LFL"
1	1	11-363336-017	BASE EXTRUSION
A/R	2	08-0640834-00	MOUNTING PAD
A/R	3	65-0010192-00	MAGNET X-80
A/R	4	14-130216-100	1/4-20 x 5/8" PPHMS
A/R	5	66-0715403-00	LOCTITE THREADLOCKER 242
1	6	02-0242331-25	INPUT CABLE ASSEMBLY / 11C COMPOSITE
1	7	21-11245004-1	GROMMET / 1.562"
1	8	14-104216-080	#10-24 x 1/2" PPHMS
1	9	13-104111-063	#10-24 WHIZ NUT
1	10	26-0115663-10	5/8" CABLE CLAMP
1	11	25-2545520-05	#10 RING TERMINAL
1	12	39-0416313-04	16 PIN CONNECTOR
2	13	25-0820060-05	COMMONING TAB / 2 POSITION
1	14	25-0830060-05	COMMONING TAB / 3 POSITION
1	15	46-0763368-00	HARNESS ASSEMBLY / POWER INPUT
1	16	46-0763355-00	HARNESS ASSEMBLY / STROBE OUTPUT
1	17	01-0269098-00	LFL412 POWER SUPPLY ASSEMBLY
2	18	11-483564-000	LIGHTHEAD HOUSING / SNAP-IN
A/R	19	02-0383577-03	SUB ASSEMBLY / 500 HALOGEN / With 3 POS.
A/R	20	01-0263265315	SUB ASSEMBLY / 500 LED FLASHER / AMBER / 3 POS.
A/R	21	01-0263265325	SUB ASSEMBLY / 500 LED FLASHER / BLUE / 3 POS.
A/R	22	01-0263265335	SUB ASSEMBLY / 500 LED FLASHER / CLEAR / 3 POS.

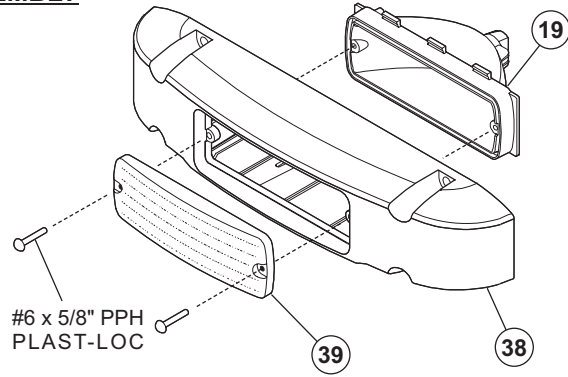
A/R	23	01-0263265345	SUB ASSEMBLY / 500 LED FLASHER / GREEN / 3 POS.
A/R	24	01-0263265355	SUB ASSEMBLY / 500 LED FLASHER / RED / 3 POS.
A/R	25	68-3963228-20	LENS / 500 SERIES / NON-OPTIC / BLUE
A/R	26	68-1963237-20	LENS / 500 SERIES / OPTIC / BLUE
A/R	27	15-065419-060	#6 x 3/8" PPH PLASTI-LOC
A/R	28	01-048328407S	MOUNTING KIT 7S / CENTURION
4	29	02-0363332-00	CORNER STROBE ASSEMBLY
A/R	30	68-3163296-20	LENS / CORNER STROBE / BLUE
A/R	31	15-045410-060	#4 x 3/8" PPH PLASTI-LOC
1	32	11-263353-017	TOP EXTRUSION
2	33	15-105A76-168	#10 x 1" TX. 100° FH. PLASTI-LOC With SEAL
2	34	68-1963333B01	LENS / 5.20" / BLUE
4	35	02-0342791-00	LENS DIVIDER ASSEMBLY
4	36	68-1963333B02	LENS / 5.64" / BLUE
2	37	38-0283572-00	ENDCAP GASKET
2	38	68-1183566-2S	LENS / ENDCAP / BLUE With SEAL
2	39	68-1963237-30	LENS / 500 SERIES OPTIC / CLEAR
A/R	40	15-065410-100	#6 x 5/8" PPH PLASTI-LOC
A/R	41	14-062216-100	#6-32 x 5/8" PPHMS
A/R	42	13-062120-052	#6-32 ELASTIC STOP NUT
1	43	26-0115037-04	1/4" CABLE CLAMP
1	44	46-0763354-00	POWER INPUT HARNESS ASSEMBLY
1	45	02-0240837-01	INPUT CABLE ASSEMBLY with CIGAR PLUG
1	46	39-0408323-04	8 SOCKET CONNECTOR



## ENDCAP ASSEMBLY



**WITHOUT ALLEY LIGHT**



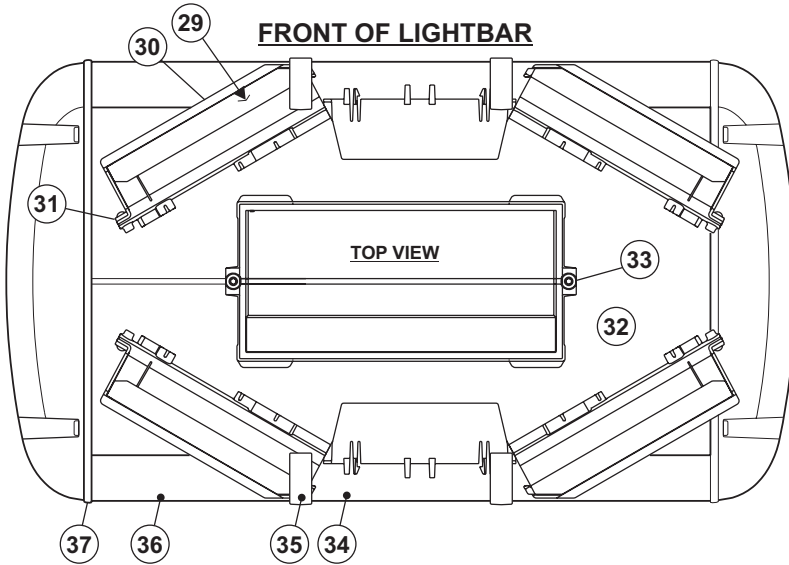
**WITH ALLEY LIGHT**

### WARNING!

All customer supplied wires that connect to the positive terminal of the battery must be sized to supply at least 125% of the maximum operating current and FUSED at the battery to carry that load. DO NOT USE CIRCUIT BREAKERS WITH THIS PRODUCT!

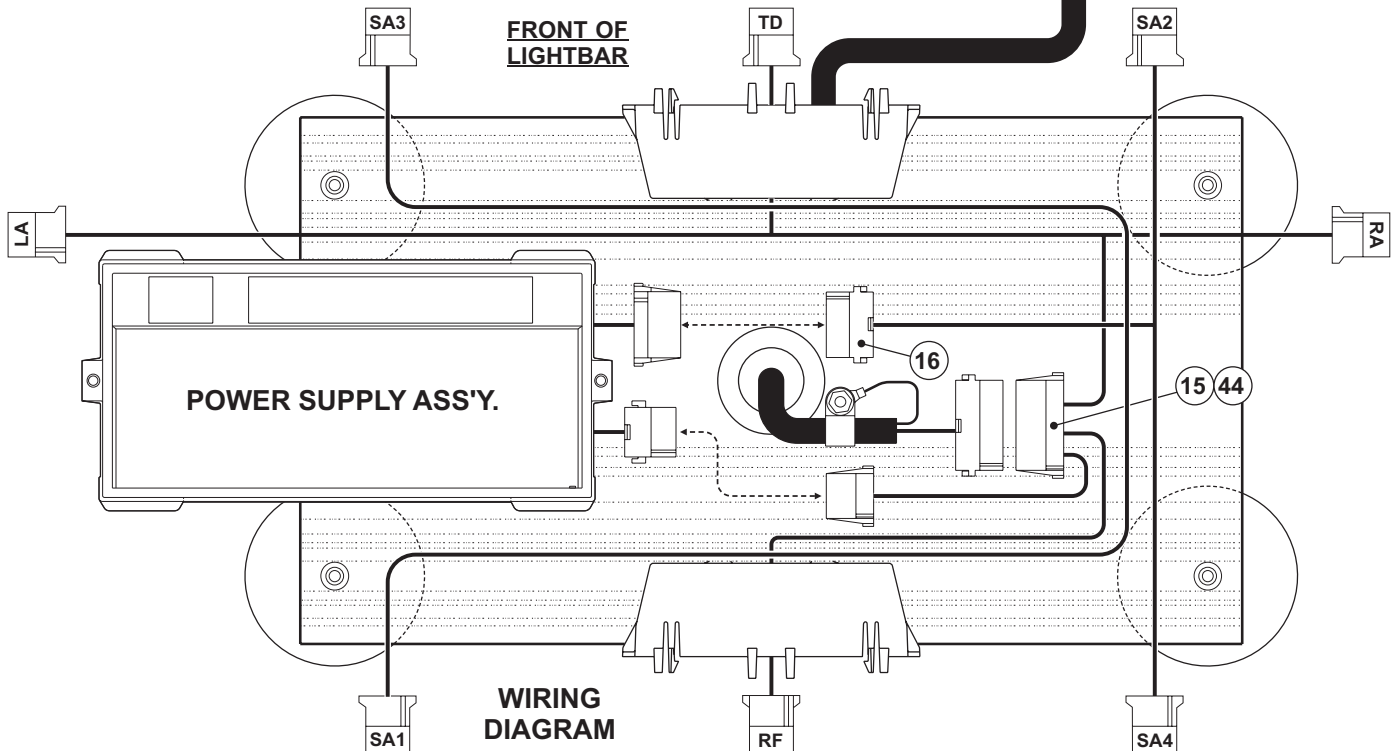
### 11C INPUT HARNESS / 16 POSITION PIN HOUSING

Wire Color	Function	Fuse @
RED	Rear Strobes	15 Amp
BLACK	Ground	Ground
GRAY	Add Front Strobes	3 Amp
VIOLET	Low Power	3 Amp
WHITE/BLUE	Flash Pattern	3 Amp
YELLOW	Passenger Alley	5 Amp
BLACK/YELLOW	Ground	Ground
WHITE	Driver Alley	5 Amp
WHITE/BLACK	Takedown Light	5 Amp
WHITE/VIOLET	Rear Flashers	3 Amp
BLACK/WHITE	Ground	Ground



**FRONT OF LIGHTBAR**

TOP VIEW



**WIRING DIAGRAM**