

# WHELEN<sup>®</sup>

ENGINEERING COMPANY INC.

51 Winthrop Road  
Chester, Connecticut 06412-0684  
Phone: (860) 526-9504  
Fax: (860) 526-4078  
Internet: [www.whelen.com](http://www.whelen.com)  
Sales e-mail: [autosale@whelen.com](mailto:autosale@whelen.com)  
Canadian Sales e-mail: [autocan@whelen.com](mailto:autocan@whelen.com)  
Customer Service e-mail: [custserv@whelen.com](mailto:custserv@whelen.com)

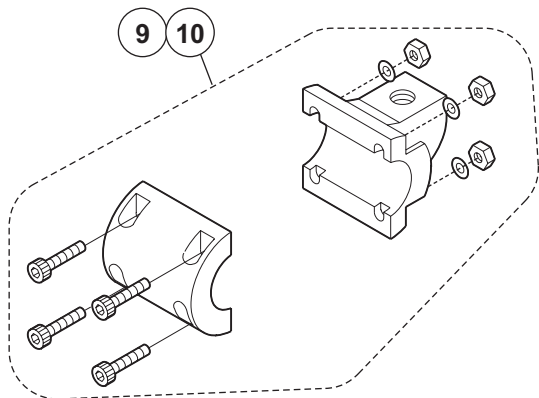
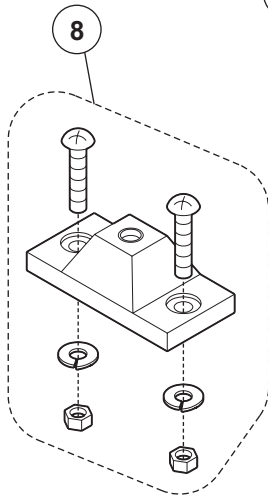
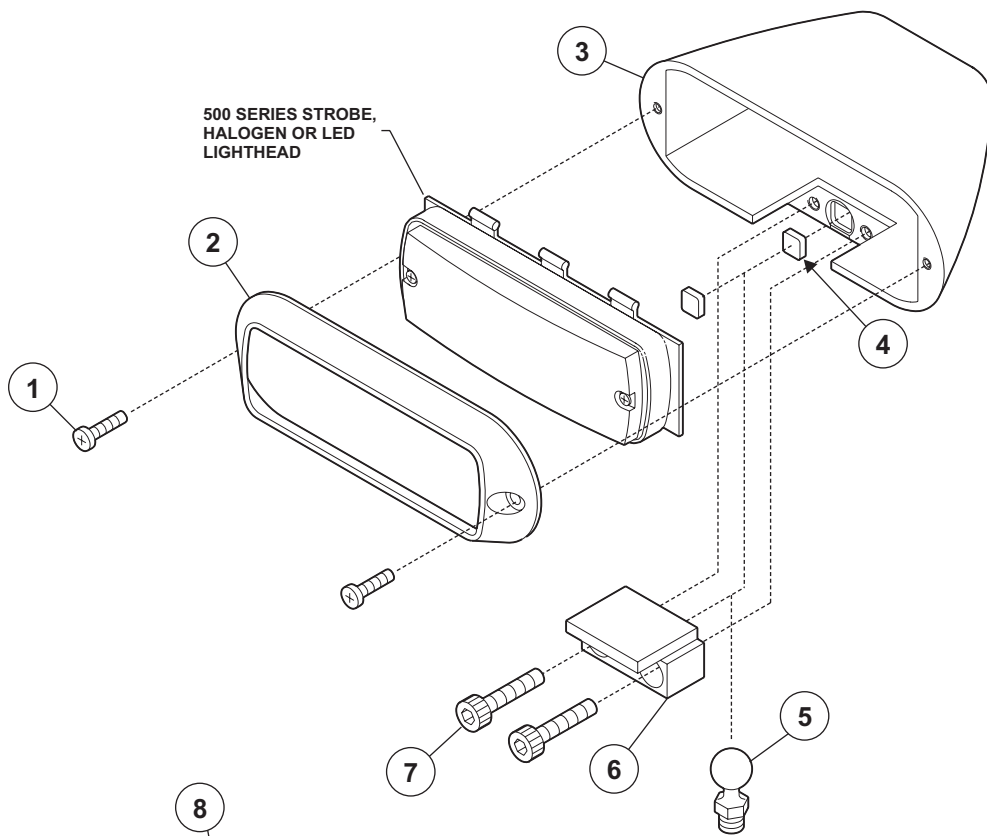
## Installation Guide: 500 Series Pedestal/Bar Mount Lighthouse

### Safety First

This document provides all the necessary information to allow your Whelen product to be properly and safely installed. Before beginning the installation and/or operation of your new product, the installation technician and operator must read this manual completely. Important information is contained herein that could prevent serious injury or damage.

- Proper installation of this product requires the installer to have a good understanding of automotive electronics, systems and procedures.
- If mounting this product requires drilling holes, the installer **MUST** be sure that no vehicle components or other vital parts could be damaged by the drilling process. Check both sides of the mounting surface before drilling begins. Also de-burr any holes and remove any metal shards or remnants. Install grommets into all wire passage holes.
- If this manual states that this product may be mounted with suction cups, magnets, tape or Velcro<sup>®</sup>, clean the mounting surface with a 50/50 mix of isopropyl alcohol and water and dry thoroughly.
- Do not install this product or route any wires in the deployment area of your air bag. Equipment mounted or located in the air bag deployment area will damage or reduce the effectiveness of the air bag, or become a projectile that could cause serious personal injury or death. Refer to your vehicle owner's manual for the air bag deployment area. The User/Installer assumes full responsibility to determine proper mounting location, based on providing ultimate safety to all passengers inside the vehicle.
- For this product to operate at optimum efficiency, a good electrical connection to chassis ground must be made. The recommended procedure requires the product ground wire to be connected directly to the **NEGATIVE (-)** battery post.
- If this product uses a remote device to activate or control this product, make sure that this control is located in an area that allows both the vehicle and the control to be operated safely in any driving condition.
- Do not attempt to activate or control this device in a hazardous driving situation.
- This product contains either strobe light(s), halogen light(s), high-intensity LEDs or a combination of these lights. Do not stare directly into these lights. Momentary blindness and/or eye damage could result.
- Use only soap and water to clean the outer lens. Use of other chemicals could result in premature lens cracking (crazing) and discoloration. Lenses in this condition have significantly reduced effectiveness and should be replaced immediately. Inspect and operate this product regularly to confirm its proper operation and mounting condition. Do not use a pressure washer to clean this product.
- It is recommended that these instructions be stored in a safe place and referred to when performing maintenance and/or reinstallation of this product.
- **FAILURE TO FOLLOW THESE SAFETY PRECAUTIONS AND INSTRUCTIONS COULD RESULT IN DAMAGE TO THE PRODUCT OR VEHICLE AND/OR SERIOUS INJURY TO YOU AND YOUR PASSENGERS!**

**For warranty information regarding this product, visit [www.whelen.com/warranty](http://www.whelen.com/warranty)**



### KIT / PEDESTAL BAR MOUNT for 500 SERIES LIGHTHEAD

QTY	QTY	QTY	ITEM	PART NUMBER	DESCRIPTION
		*		01-0463338-00	KIT / 500 SERIES PEDESTAL MOUNT
	*			01-0463338-01	KIT / 500 SERIES 1" BAR MOUNT
*				01-0463338-02	KIT / 500 SERIES 1.25" BAR MOUNT
2	2	2	1	14-104216-120	SCREW / #10-24 X 3/4" PPHMS
1	1	1	2	19-263435-001	POLISHED CAST ALUMINUM FLANGE
1	1	1	3	11-482454-011	POLISHED CAST ALUMINUM HOUSING
2	2	2	4	08-0721957-00	FRICTION PAD
1	1	1	5	22-0541973-00	ADJUSTMENT STUD
1	1	1	6	07-641974-004	LOCKING MECHANISM
2	2	2	7	14-130A26-160	SCREW / 1/4-20 X 1" CAP
-	-	1	8	01-0442612-01	KIT / PEDESTAL MOUNT - POLISHED
-	1	-	9	01-0442613-01	KIT / HANDLEBAR MOUNT 1" - POLISHED
1	-	-	10	01-0442614-01	KIT / HANDLEBAR MOUNT 1.25" - POLISHED