

WHELEN[®]

ENGINEERING COMPANY INC.

51 Winthrop Road
Chester, Connecticut 06412-0684
Phone: (860) 526-9504
Fax: (860) 526-4078
Internet: www.whelen.com
Sales e-mail: autosale@whelen.com
Canadian Sales e-mail: canadiansales@whelen.com
Customer Service e-mail: custserv@whelen.com

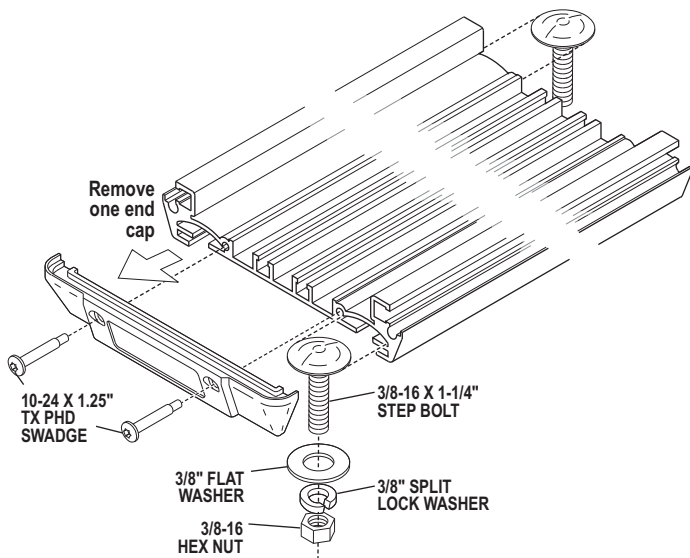
Installation Guide:
Responder[®] HD Lightbar
Model: R2HD**, R9HD**, R10HD**

Safety First

This document provides all the necessary information to allow your Whelen product to be properly and safely installed. Before beginning the installation and/or operation of your new product, the installation technician and operator must read this manual completely. Important information is contained herein that could prevent serious injury or damage.

- **Proper installation of this product requires the installer to have a good understanding of automotive electronics, systems and procedures.**
- **Failure to use specified installation parts and/or hardware will void the product warranty!**
- **If mounting this product requires drilling holes, the installer MUST be sure that no vehicle components or other vital parts could be damaged by the drilling process. Check both sides of the mounting surface before drilling begins. Also de-burr any holes and remove any metal shards or remnants. Install grommets into all wire passage holes.**
- **If this manual states that this product may be mounted with suction cups, magnets, tape or Velcro[®], clean the mounting surface with a 50/50 mix of isopropyl alcohol and water and dry thoroughly.**
- **Do not install this product or route any wires in the deployment area of your air bag. Equipment mounted or located in the air bag deployment area will damage or reduce the effectiveness of the air bag, or become a projectile that could cause serious personal injury or death. Refer to your vehicle owner's manual for the air bag deployment area. The User/Installer assumes full responsibility to determine proper mounting location, based on providing ultimate safety to all passengers inside the vehicle.**
- **For this product to operate at optimum efficiency, a good electrical connection to chassis ground must be made. The recommended procedure requires the product ground wire to be connected directly to the NEGATIVE (-) battery post.**
- **If this product uses a remote device to activate or control this product, make sure that this control is located in an area that allows both the vehicle and the control to be operated safely in any driving condition.**
- **Do not attempt to activate or control this device in a hazardous driving situation.**
- **This product contains either strobe light(s), halogen light(s), high-intensity LEDs or a combination of these lights. Do not stare directly into these lights. Momentary blindness and/or eye damage could result.**
- **Use only soap and water to clean the outer lens. Use of other chemicals could result in premature lens cracking (crazing) and discoloration. Lenses in this condition have significantly reduced effectiveness and should be replaced immediately. Inspect and operate this product regularly to confirm its proper operation and mounting condition. Do not use a pressure washer to clean this product.**
- **It is recommended that these instructions be stored in a safe place and referred to when performing maintenance and/or reinstallation of this product.**
- **FAILURE TO FOLLOW THESE SAFETY PRECAUTIONS AND INSTRUCTIONS COULD RESULT IN DAMAGE TO THE PRODUCT OR VEHICLE AND/OR SERIOUS INJURY TO YOU AND YOUR PASSENGERS!**

For warranty information regarding this product, visit www.whelen.com/warranty



IMPORTANT! The lightbar should be located a minimum of 16" from any radio antennas!

Permanent Mounting:

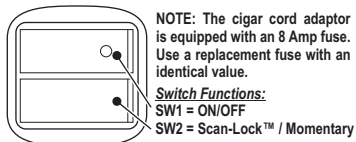
First check to see that no vehicle components will interfere with the selected mounting location. If you are installing the lightbar on the roof you will need to remove the headliner from the vehicle. There may be a roof support member that runs from the drivers to the passengers side of the vehicle. *Do not drill through this member.* The mounting bolts can slide the length of the bar, however you should keep them as close to the outer edges of the bar as possible for stability. They must be on opposite corners of the base.

1. When you have determined the mounting location, remove one of the endcaps from the lightbar. Slide the two bolts in as shown then hold the lightbar onto the vehicle and mark the location of the 2 mounting holes onto the mounting surface.
2. Drill the 2 mounting holes using a drill bit sized for a 5/16" hole.
3. Replace the end cap then insert the mounting bolts into the mounting holes and secure them onto the lightbar with the mounting hardware as shown.
4. Cut a 5/16" hole for the lightbar cable, install a rubber grommet (customer supplied) to protect the cable then insert the cable onto the wire hole and connect to power.

Temporary Mount (Optional)

WARNING: The use of any magnetically mounted warning device on the outside of a vehicle in motion is not recommended and is at the sole risk and responsibility of the user.

Magnetic/suction: Thoroughly clean the proposed mounting surface prior to mounting. For suction cup mounting, wipe the suction cup clean, place the beacon onto its mounting surface and apply gentle pressure to ensure a good seal has been achieved. The Magnetic/Suction Cups mount the same way as standard suction cups but are best suited to a flat, steel surface. **Magnetic:** Place the beacon onto the mounting surface and plug it into the vehicle cigar lighter.



Wiring:

WARNING! All customer supplied wires that connect to the positive terminal of the battery must be sized to supply at least 125% of the maximum operating current and FUSED at the battery to carry the load. DO NOT USE CIRCUIT BREAKERS WITH THIS PRODUCT!

NOTE: See wiring diagrams on parts pages for wiring and fusing.

Operation:

R2HD / Rotator Model:** Applying +12 volts to the RED wire activates the lightbar and rotators. No features are available for this lightbar.

R9HDM* / R9HDV* / R10HDM* / R10HDV* / Linear TIR™ & GEN III Models: Plug cigar cord into vehicle lighter and turn the cigar plug switch on to activate the lightbar. Pressing the Scan-Lock™ cigar cord switch activates Scan-Lock™ flash pattern selection.

R9HDP* / R10HDP* / Linear TIR & GEN III Models: Applying + 12 volts to the RED wire activates the lightbar. Refer to the wiring diagrams for functions for your model.

WHT/VIO - Scan-Lock™ / Flash Pattern Selection:

To operate Scan-Lock™ switch the lightbar on. **Cigar plug models have a momentary switch next to the on/off switch on the cigar plug. Permanent mount models have a Scan-Lock™ function wire.**

TO CHANGE PATTERNS: To cycle forward to the next available pattern apply +12 volts to the WHT/VIO wire (Or press the momentary switch on the cigar plug) for less than 1 second and release.

To cycle back to the previous pattern apply +12 volts to the WHT/VIO wire (Or press the momentary switch) for more than 1 second and release.

TO CHANGE THE DEFAULT PATTERN: When the desired pattern is displayed, allow it to run for more than 5 seconds. The lightbar will now display this pattern when initially activated.

TO RESTORE THE FACTORY DEFAULT PATTERN: With power to the lightbar off, apply +12 volts to the WHT/VIO wire (Or press and hold the momentary switch). With power applied to Scan-Lock™, turn power to the lightbar on. The factory default pattern will be displayed.

A normally open momentary switch can be used to control Scan-Lock™ operation.

NOTE: The features listed below apply to R10HDP* only.

GREY - Sync:

To **SYNC** two lightbars, configure both lightbars to display the same flash pattern. With the power off, connect the GREY wire from each lightbar together. When the lightbars are activated, their patterns will be synchronized. Only the flash patterns designated for SYNC in the flash pattern list may be used.

NOTE: Refer to parts pages for available flash pattern lists.

VIOLET - Hi/Low Power:

Allows user to step the unit down to low power for nighttime use.

Latching Mode: By applying +VBAT to the VIOLET wire for less than 1 second, the lightbar is "latched" into low power. The unit must be turned off and then back on to restore normal operation (Momentary switch).

Level Mode: Applying +VBAT to the VIOLET wire for more than 1 second keeps the lightbar in low power until voltage is removed (Toggle switch).

ORANGE - Pattern Override:

Applying +VBAT to the ORANGE wire while lightheades are activated, will change the flash pattern to whatever pattern override is programmed for. To program the flash pattern activate the lightbar then activate pattern override by applying +VBAT to the ORANGE wire and select a flash pattern using Scan-Lock™.

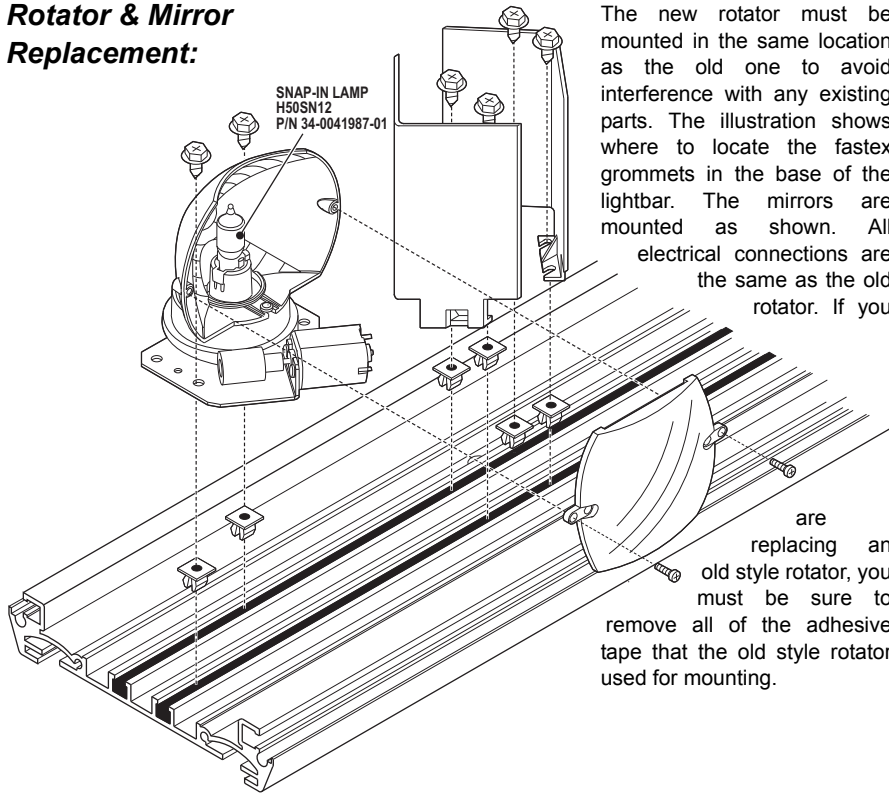
IMPORTANT! Before returning this vehicle to active service, visually confirm the proper operation of this product, as well as all vehicle components/equipment.

Caution: Permanent mounting of this product will require drilling. It is absolutely necessary to make sure that no other vehicle components could be damaged by this process. Check both sides of the mounting surface before starting. If damage is likely, select a different mounting location.

IMPORTANT WARNING!

CAUTION! DO NOT LOOK DIRECTLY AT THESE LEDS WHILE THEY ARE ON. MOMENTARY BLINDNESS AND/OR EYE DAMAGE COULD RESULT!

Rotator & Mirror Replacement:

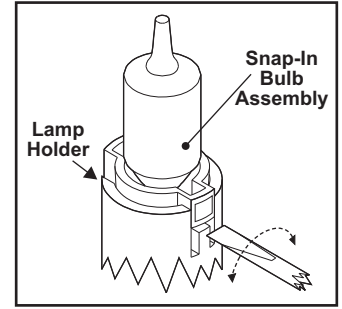


The new rotator must be mounted in the same location as the old one to avoid interference with any existing parts. The illustration shows where to locate the fastex grommets in the base of the lightbar. The mirrors are mounted as shown. All electrical connections are the same as the old rotator. If you

are replacing an old style rotator, you must be sure to remove all of the adhesive tape that the old style rotator used for mounting.

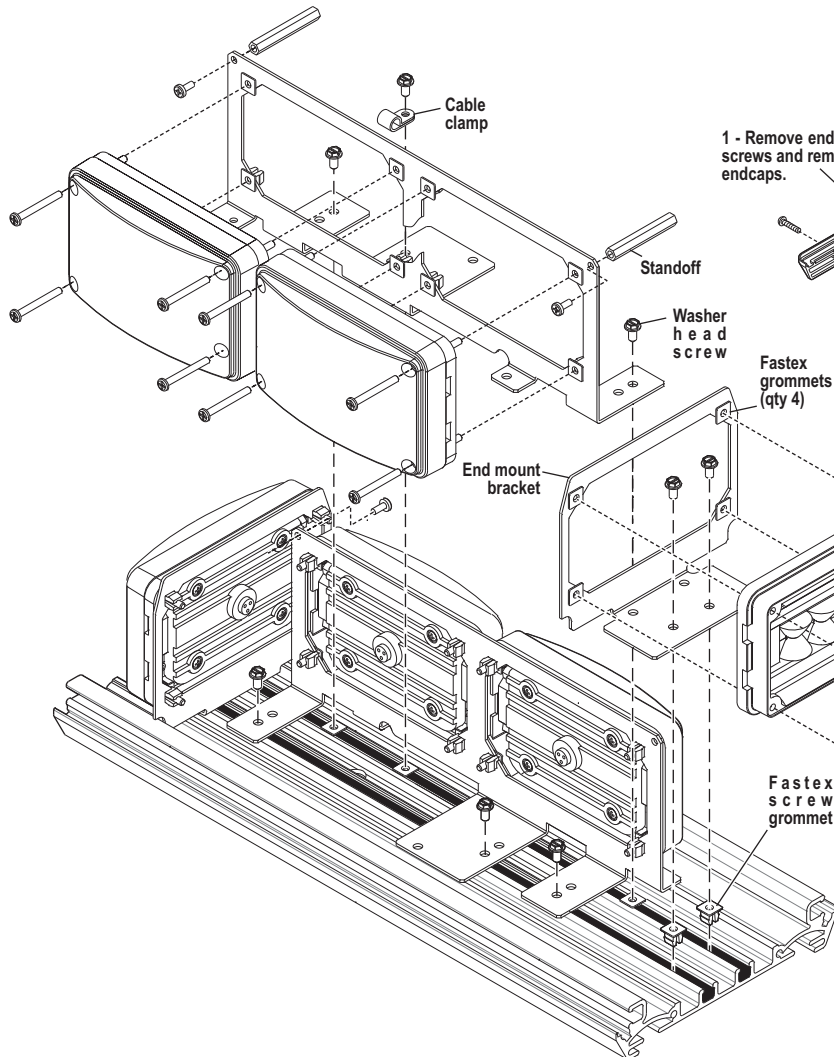
Halogen Bulb Replacement:

1. Remove the lens.
2. Insert a flat-blade screw driver into the space between the lamp holder and the snap-in assembly. Gently rotate the screw driver as shown. Repeat this action until the bulb is loose.
3. Pull the bulb in an upward direction until it is free.
4. Verify that the replacement bulb is the correct wattage by the part numbers marked on the bulb assembly. Insert the alignment tab of the new bulb into the lamp holder and press downwards to lock the bulb into place.

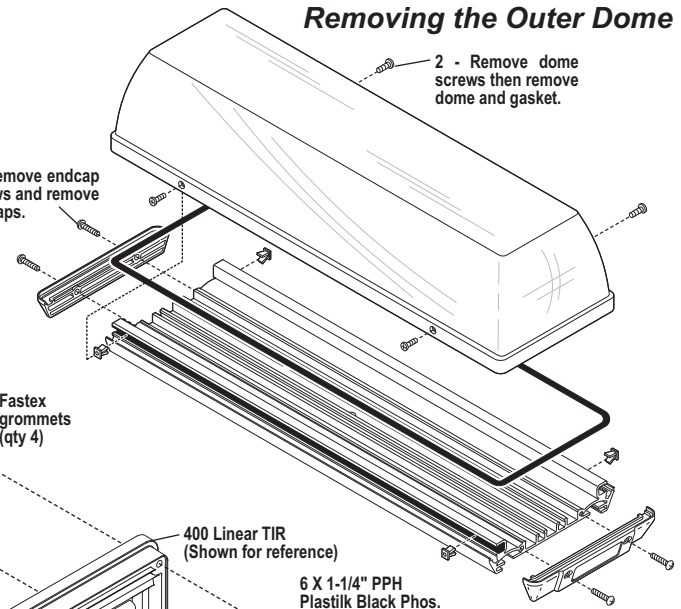


CAUTION: Replacing any halogen bulb requires the use of safety glasses and gloves to prevent injury. Do not handle the bulb with bare hands. Be sure replacement bulb has same watt rating.

Replacing LED Lightheads



Removing the Outer Dome



LED Replacement: 400 Series Linear TIR™ LEDs are shown here for example.

Always disconnect the lightbar from power before starting. To replace or service your LED lightheads, first remove the dome and endcaps as shown. To remove a lighthead from its mounting bracket, unscrew the 4 washer head screws, unplug the lighthead from its harness then remove the lighthead from the lightbar. If you are removing several lightheads make note of the which lightheads the connectors go to for easier reassembly.

RESPONDER® HEAVY DUTY / MODEL R2HD

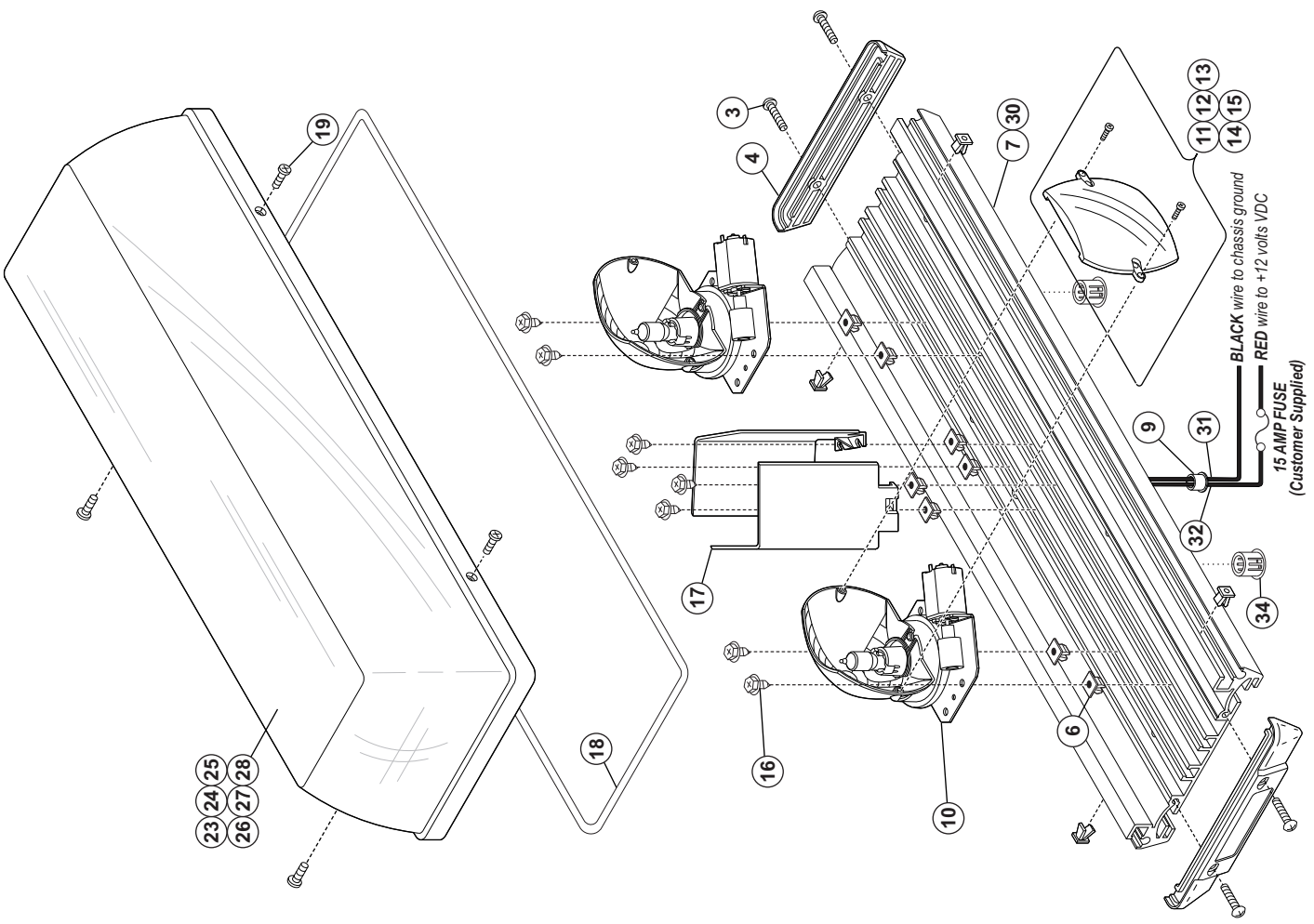
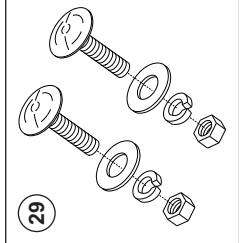
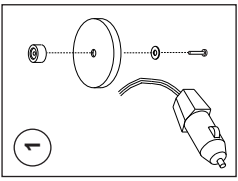
QTY	ITEM	PART NUMBER	DESCRIPTION
*		01-0683611__M	RESPONDER HEAVY DUTY (MAGNET)
*		01-0683611__P	RESPONDER HEAVY DUTY (PERMANENT)
-	1	01-0461640-07	KIT, 80LB MAG. STRAIGHT CORD #16 GA.
1	1	10-0522845-__	LABEL, MODEL HD RESPONDER
4	3	14-0023347-00	SCREW, 10-24 X 1.25" TX PHD
2	4	11-282151-000	ENDCAP, COVER EXTRUSION
4	4	21-1706090300	SCREW GROMMET, #6#6, .285-.288 HOLE, .033 HD HT
8	6	13-062C40-16J	SCREW GROMMET #6 FASTEX
-	7	11-362975-001	EXTRUSION
-	A/R	66-0715403-00	THREADLOCKER, 242 LOCTITE 50ML
1	9	21-27101404-0	BUSHING, .437 MTG. HOLE, .312 ID
2	2	02-0363276-02	ROTATING REFLECTOR 160-12-50H
A/R	A/R	01-0441781-AO	KIT, AMBER LENS
A/R	A/R	01-0441781-BO	KIT, BLUE LENS
A/R	A/R	01-0441781-GO	KIT, GREEN LENS
A/R	A/R	01-0441781-RO	KIT, RED LENS
A/R	A/R	01-0441781-VO	KIT, VIOLET LENS
8	8	15-081916-066	SCREW #8 X 3/8" PHEXWASHD SS TYPE B
2	2	68-5962342-01	MIRROR-45° DIAMOND VPB SERIES
1	1	38-0541780-00	GASKET, 25 CORD EPDM SPONGE 44" LG
4	4	15-061416-080	SCREW 6 X 1/2 PPHSIS SS TYPE A
2	2	46-0920733-00	ASSY, 2 SOCKET/7" HARNESS
2	2	25-0910423-03	TERMINAL BUTT
5	5	26-0215001-03	TY WRAP, 3" BLACK
A/R	A/R	68-1181893-10	DOME-AMBER
A/R	A/R	68-1181893-20	DOME-BLUE
A/R	A/R	68-1181893-30	DOME-CLEAR
A/R	A/R	68-1181893-40	DOME-GREEN
A/R	A/R	68-1181893-50	DOME-RED
A/R	A/R	68-1181893-V0	DOME-VIOLET
1	-	01-0441771-02	KIT, EXTRUSION STEP BOLT MOUNTING
1	-	30	11-36D125-001 EXTRUSION, (FOR PERM. MOUNT)
1	-	31	67-1011400120 WIRE, 14 GA 12' BLK, STRIP BOTH ENDS
1	-	32	67-1011422120 WIRE, 14 GA 12' RED, STRIP BOTH ENDS
1	1	10-0323283-05	LABEL, MODEL RESPONDER not shown
4	-	21-37001211-0	PLUG, DOME, .375" HOLE DIA DP 375, BLK NYLON

EXAMPLE OF PART NUMBER

0 1 - 0 6 8 3 6 1 1 - 2 C M



- NUMBER OF ROTATORS**
 2= 2 ROTATORS
 3= 3 ROTATORS
- DOMES COLOR**
 A= AMBER
 B= BLUE
 C= CLEAR
 G= GREEN
 R= RED
 V= VIOLET
- DOMES COLOR MOUNTING CODE**
 M= MAGNET
 P= PERMANENT



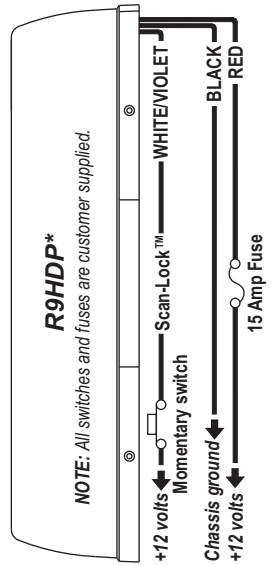
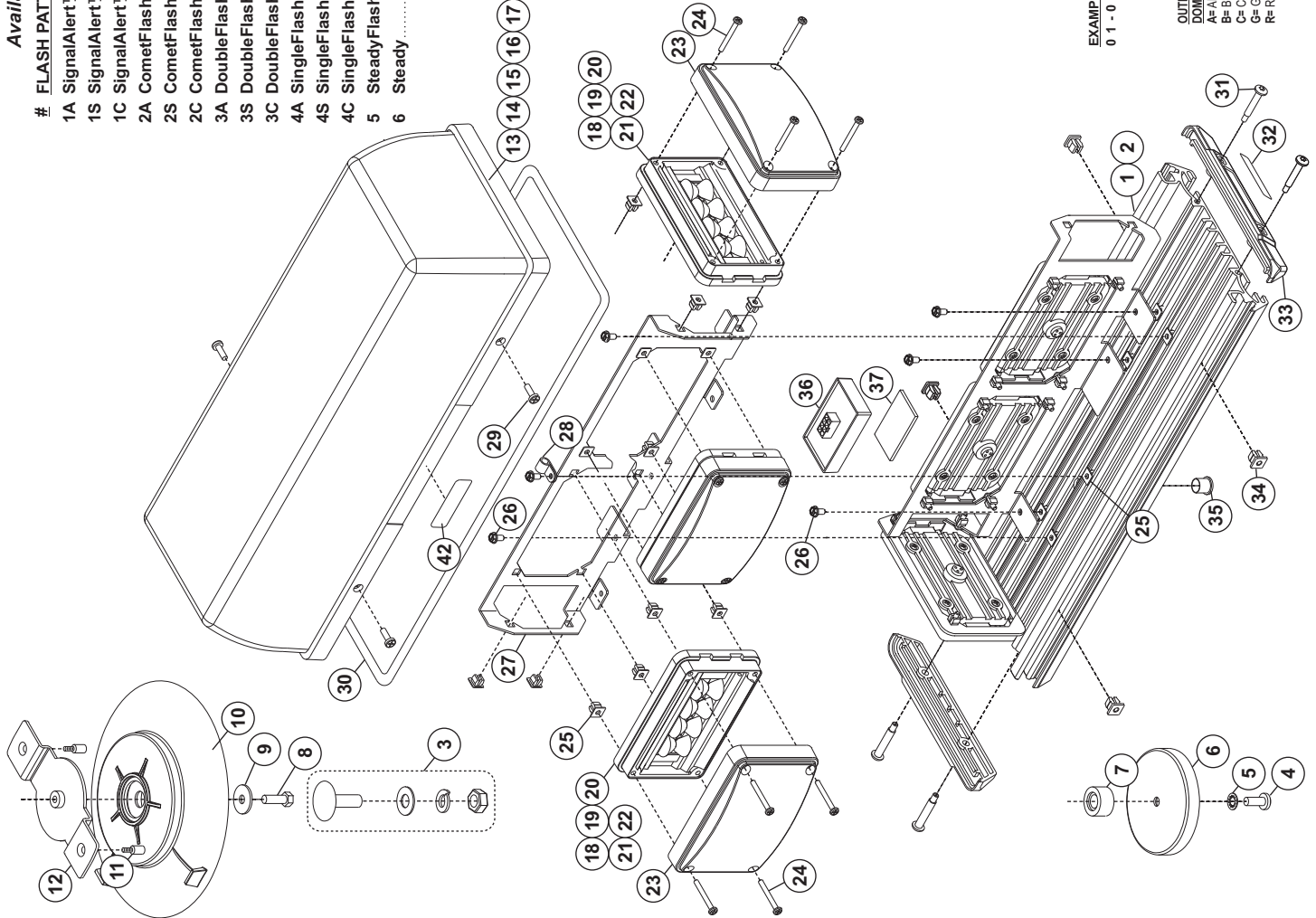
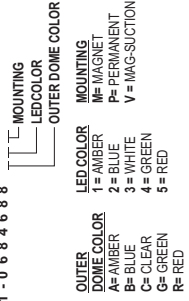
Available Flash Patterns

# FLASH PATTERN	OUTLET FUNCTION
1A SignalAlert™	1 Alternates with 2
1S SignalAlert™	1 & 2 Simultaneous
1C SignalAlert™	3 Cycles of 1A and 3 Cycles of 1S
2A CometFlash®	1 Alternates with 2
2S CometFlash®	1 & 2 Simultaneous
2C CometFlash®	3 Cycles of 2A and 3 Cycles of 2S
3A DoubleFlash	1 Alternates with 2
3S DoubleFlash	1 & 2 Simultaneous
4A SingleFlash	1 Alternates with 2
4S SingleFlash	1 & 2 Simultaneous
4C SingleFlash	3 Cycles of 4A and 3 Cycles of 4S
5 SteadyFlash 1 & 2 Steady, 3 & 4 SingleFlash (SIM.)	
6 Steady	1 - 2 - 3 & 4 Steady

RESPONDER® HEAVY DUTY / MODEL R9HD**

QTY	QTY	QTY	ITEM	PART NUMBER	DESCRIPTION
*	*	*	01-0684688__P	RESPONDER® HEAVY DUTY / PERMANENT	
*	*	*	01-0684688__M	RESPONDER® HEAVY DUTY / MAGNET	
*	*	*	01-0684688__V	RESPONDER® HEAVY DUTY / SUCTION	
1	1	1	11-362975-001	EXTRUSION / 16.00" with INSERTS / MAGNET	
1	1	2	11-362975-002	EXTRUSION / 16.00" no INSERTS / PERM/SUCTION	
1	1	3	01-044177-1-02	KIT / EXTRUSION STEP BOLT MT 3/8 X 1-1/4"	
1	4	4	14-130216-100	SCREW 1/4-20 X 5/8 PPHMS	
1	4	5	16-1321560-02	WASHER 1/4 INTERNAL TOOTH LOCK	
1	4	6	65-0010192-00	MAGNET / X30 NEW DMS NICKLE PLATED	
1	4	7	08-0640834-01	PAD / MTG / MAG MT with .406 DIA THRU HOLE	
2	8	8	14-130436-120	SCREW 1/4-20 X 3/4 HEX HD NS SS	
2	9	16	16-1302820-06	WASHER / FLAT 7/8 OD SS 7/164 ID .056-.070" THK	
2	10	10	08-1583927-05	SUCTION CUP / MAGNET MOUNT	
4	11	14	14-130536-12K	SCREW 1/4-20 X 3/4 SKT HD SET NECK w/POINT SS	
2	12	07-764726-023	PLATE / ADAPTER MAG/SUCTION CUP MINI LBAR		
A/R	A/R	A/R	68-1181893-10	DOME / AMBER RESPONDER	
A/R	A/R	A/R	68-1181893-20	DOME / BLUE RESPONDER	
A/R	A/R	A/R	68-1181893-30	DOME / CLEAR RESPONDER	
A/R	A/R	A/R	68-1181893-40	DOME / GREEN RESPONDER	
A/R	A/R	A/R	68-1181893-50	DOME / RED RESPONDER	
A/R	A/R	A/R	01-026B569212	400 LINEAR TIR / LED AMBER 2 WIRE AMP	
A/R	A/R	A/R	01-026B569222	400 LINEAR TIR / LED BLUE 2 WIRE AMP	
A/R	A/R	A/R	01-026B569232	400 LINEAR TIR / LED WHITE 2 WIRE AMP	
A/R	A/R	A/R	01-026B569242	400 LINEAR TIR / LED GREEN 2 WIRE AMP	
A/R	A/R	A/R	01-026B569252	400 LINEAR TIR / LED RED 2 WIRE AMP	
6	6	23	68-1183304-30	LENS / CLEAR OPTIC 43 HALOGEN	
24	24	24	15-06541A-200	SCREW / 6 X 1 1/4" PPH PLASTIK BLACK PHOS.	
34	34	25	13-062C40-16J	SCREW GROMMET / #6/#8 FASTEX	
10	10	26	15-081916-066	SCREW / 8 X 3/8 PHEX WASH HD SS	
2	2	27	07-284937-000	BRACKET / MTG 400 LED RESPONDER SERIES	
1	1	28	26-01115037-04	CABLE CLAMP 1/4"D. 3/8"W. 203° MTG HOLE	
4	4	29	15-061416-080	SCREW / 6 X 1/2 PPHSMS SS TYPE A	
1	1	30	38-0541780-00	GASKET / 25 CORD EPDM SPONGE ECO. BAR	
4	4	31	14-0023347-00	SCREW / 10-24 X 1.25" TX PHD SWADGE	
1	1	32	10-0522845-__	LABEL / MODEL HEAVY DUTY RESPONDER	
2	2	33	11-282151-000	END CAP / COVER EXTRUSION ECONO. LTBAR	
4	4	34	21-1706090300	SCREW GROMMET / #6/#8 .286" HOLE .030 HD HT	
1	1	35	21-27101404-0	BUSHING / .437 MTG HOLE .312 ID BLK NYLON	
1	1	36	01-0269936-00	ELECT 2 CH FLASHER	
1	1	37	66-0421074-00	TAPE / MTG STROBE BRACKET SERIES 4000	
1	1	38	46-0764924-00	HARNES 400 LINEAR LED GUARDIAN	
A/R	A/R	A/R	26-0215001-03	TY WRAP / 3" BLACK	
1	1	40	69-1343576-18	CORD / 2 SW CIGAR PLUG 10' 8 A FUSE #18/3	
3	3	1	25-0510223-05	BUTT TERM / 22-16 GA. INS	
1	1	42	10-0323283-05	LABEL / MODEL RESPONDER SERIES	
-	A/R	-	43	66-0715403-00	THREADLOCKER 242 LOCTITE 50ML

EXAMPLE OF PART NUMBER
01-0684688



R9HDP*
NOTE: All switches and fuses are customer supplied.

Available Flash Patterns:

- 1. ActionScan™
- 2. SignalAlert™ (Alt)*
- 3. SignalAlert (Sim)*
- 4. SignalAlert (Alt/Sim)
- 5. CometFlash® (Alt)*
- 6. CometFlash (Sim)*
- 7. CometFlash (Alt-Sim)
- 8. DoubleFlash 75 (Alt)*
- 9. DoubleFlash 75 (Sim)*
- 10. DoubleFlash 75 (Alt-Sim)
- 11. SingleFlash 75 (Alt)*
- 12. SingleFlash 75 (Sim)*
- 13. SingleFlash 75 (Alt-Sim)
- 14. LongBurst™ (Alt)*
- 15. LongBurst (Sim)*
- 16. LongBurst (Alt-Sim)
- 17. SingleFlash 60 (Alt) CA
- 18. SingleFlash 60 (Sim) CA
- 19. SingleFl. 60 (Alt-Sim) CA
- 20. SingleFlash 90 (Alt) CA
- 21. SingleFlash 90 (Sim) CA
- 22. SingleFl. 90 (Alt-Sim) CA
- 23. SingleFlash 120 (Alt) CA
- 24. SingleFlash 120 (Sim) CA
- 25. SingleFl. 120(Alt-Sim) CA
- 26. SingleFlash 300 (Alt)
- 27. SingleFlash 300 (Sim)
- 28. SingleFlash 300 (Alt-Sim)
- 29. MicroBurst™ (Alt)
- 30. MicroBurst (Sim)
- 31. MicroBurst (Alt-Sim)
- 32. ActionFlash™ (Alt)
- 33. ActionFlash (Sim)
- 34. ActionFlash (Alt-Sim)
- 35. PingPong™ (Alt)
- 36. PingPong (Sim)
- 37. FlmFlam (Alt.)
- 38. ModuFlash™ (Alt)
- 39. ModuFlash (Sim)
- 40. Steady 5%
- 41. Steady 1%
- 42. Steady 4%
- 43. Steady 8%
- 44. Steady 12%
- 45. Steady 40%
- 46. InOut
- 47. Sweep
- 48. LongBurst Sweep
- 49. InOut Blast
- 50. Sequence On/Off
- 51. ZigZag
- 52. Rotator 90
- 53. Rotator 120
- 54. Rotator 150
- 55. Rotator 250

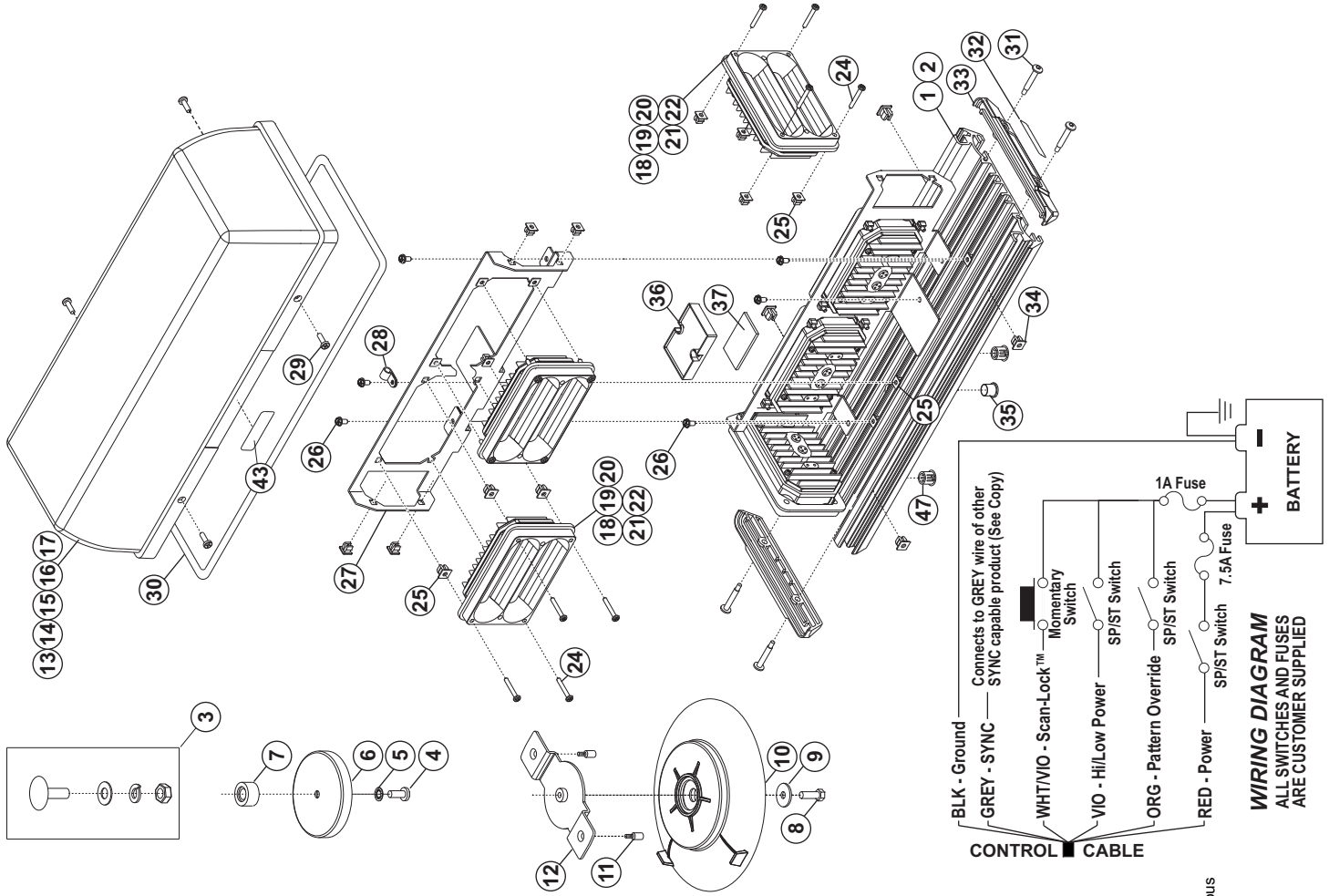
CA = Calif. Title XIII Compliant

Sim = Simultaneous

Alt = Alternating

Alt-Sim = Alternating-Simultaneous

* = SYNC



RESPONDER® HEAVY DUTY / MODEL R10HDD

QTY	QTY	ITEM	PART NUMBER	DESCRIPTION
*	*	01-0684691_P	RESPONDER® HEAVY DUTY / PERMANENT	
*	*	01-0684691_M	RESPONDER® HEAVY DUTY / MAGNET	
*	*	01-0684691_V	RESPONDER® HEAVY DUTY / SUCTION	
-	1	11-36D125-002	EXTRUSION / 16.00" W/INSERTS / MAGNET	
-	1	11-36D125-001	EXTRUSION / 16.00" W/INSERTS / PERMANENT SUCTION	
-	1	01-0441771-02	KIT / EXTRUSION STEP BOLT MT 3/8 X 1-1/4"	
-	4	14-1302116-100	SCREW 1/4-20 X 3/8 PPHMS SS	
-	4	16-1321560-02	WASHER 1/4 INTERNAL TOOTH LOCK	
-	4	65-0010192-00	MAGNET / X-60 NEW DMS NICKLE PLATED	
-	4	08-0640834-01	PAD / MOUNTING, MAG MT with 40# DIA THRU HOLE	
2	-	14-130436-120	SCREW 1/4-20 X 3/4" HEX HD MS SS	
2	-	16-1302820-06	WASHER / FLAT 1/4" 7/8 OD SS 17/64 ID .066-.070" THK	
2	-	08-1583327-05	SUCTION CUP / MAGNET MOUNT	
2	-	14-130536-12K	SCREW 1/4-20 X 3/4 SKT HD SET NECKED WITH POINT SS	
2	-	07-764726-023	PLATE / ADAPTER MAG-SUCTION CUP MINI LTBAR	
AR	AR	13 68-1181893-10	DOME / AMBER RESPONDER	
AR	AR	14 68-1181893-20	DOME / BLUE RESPONDER	
AR	AR	15 68-1181893-30	DOME / CLEAR RESPONDER	
AR	AR	16 68-1181893-40	DOME / GREEN RESPONDER	
AR	AR	17 68-1181893-50	DOME / RED RESPONDER	
AR	AR	18 01-02866361211	400 LED SPLIT AMBAMB 2 POS AMP	
AR	AR	19 01-02866361222	400 LED SPLIT BLUBLU 2 POS AMP	
AR	AR	20 01-02866361233	400 LED SPLIT WHTWHT 2 POS AMP	
AR	AR	21 01-02866361244	400 LED SPLIT GRNGRN 2 POS AMP	
AR	AR	22 01-02866361255	400 LED SPLIT REDRED 2 POS AMP	
6	6	23 46-0921262-00	"Y" 4" HARNESS	
24	24	24 15-06541A-160	SCREW / 6 X 1" PPH PLASTIK BLACK PHOSPHATE	
30	30	25 13-062C40-16J	SCREW GROMMET #6/#8 FASTEX	
6	6	26 15-081916-066	SCREW / 8 X 3/8 PHEXWASHHD SS	
2	2	27 07-284873-000	BRACKET / MTG 400 LED RESPONDER SERIES	
1	1	28 26-0115037-04	CABLE CLAMP 1/4" HD 3/8" W/ .203" MTG HOLE	
4	4	29 15-061416-080	SCREW / 6 X 1/2 PPHMS SS TYPE A	
1	1	30 38-0541780-00	GASKET / .25 CORD EPDM SPONGE ECONOMY BAR	
4	4	31 14-0023347-00	SCREW / 10-24 X 1.25" TX PHD SWIDGE	
1	1	32 10-0522845-**	LABEL / MODEL HEAVY DUTY RESPONDER	
2	2	33 11-282151-000	END CAP / COVER EXTRUSION ECONOMY LTBAR	
4	4	34 21-1706090300	SCREW GROMMET #6/#8 285-286 HOLE .039 HD HT	
1	1	35 21-27101404-0	BUSHING .437 MTG HOLE .312 ID BLACK NYLON	
1	1	36 01-026A213-00	ELECT 6 CHANNEL FLASHER	
1	1	37 66-0421074-00	TAPE / MOUNTING STROBE BRACKET SERIES 4000	
1	1	38 46-076A239-00	HARNESS / OUTPUT 6 CHANNEL	
AR	AR	39 26-0215001-03	TY WRAP / 3" BLACK	
1	1	40 02-0243725-00	CIGAR CORD PLUG ASSY #1834 DUAL SWITCH WITH TERMINALS	
1	1	41 10-0322783-02	LABEL / AIRBAG & MAG MT WARNING	
1	1	42 39-0403023-04	HOUSING / 3 POSITION SOCKET HOUSING	
1	1	43 10-0323283-05	LABEL / MODEL RESPONDER SERIES	
-	AR	44 66-0715403-00	THREADLOCKER, 242 LOC TITE 50ML	
1	1	45 46-0743503-00	HARNESS / INPUT POWER COORD	
1	1	46 46-076A219-00	HARNESS / INPUT RESPONDER LP	
4	4	47 21-37001211-0	PLUG, DOME, .375" HOLE DIA DP 375, BLK NYLON	

EXAMPLE OF PART NUMBER

0 1 - 0 6 8 4 6 9 1

┌ MOUNTING
└ LED COLOR

┌ OUTER DOME COLOR

OUTER LED COLOR MOUNTING

DOME COLOR 1 = AMBER

M = MAGNET

2 = BLUE P = PERMANENT

3 = WHITE V = MAG-SUCTION

4 = GREEN

5 = RED R = RED