

WHELEN[®]

ENGINEERING COMPANY INC.

51 Winthrop Road
Chester, Connecticut 06412-0684
Phone: (860) 526-9504
Fax: (860) 526-4078
Internet: www.whelen.com
Sales e-mail: autosale@whelen.com
Canadian Sales e-mail: canadiansales@whelen.com
Customer Service e-mail: custserv@whelen.com

Installation Guide: 700 Series Halogen Lighthouse

Safety First

This document provides all the necessary information to allow your Whelen product to be properly and safely installed. Before beginning the installation and/or operation of your new product, the installation technician and operator must read this manual completely. Important information is contained herein that could prevent serious injury or damage.

- **Proper installation of this product requires the installer to have a good understanding of automotive electronics, systems and procedures.**
- **Failure to use specified installation parts and/or hardware will void the product warranty!**
- **If mounting this product requires drilling holes, the installer MUST be sure that no vehicle components or other vital parts could be damaged by the drilling process. Check both sides of the mounting surface before drilling begins. Also de-burr any holes and remove any metal shards or remnants. Install grommets into all wire passage holes.**
- **If this manual states that this product may be mounted with suction cups, magnets, tape or Velcro®, clean the mounting surface with a 50/50 mix of isopropyl alcohol and water and dry thoroughly.**
- **Do not install this product or route any wires in the deployment area of your air bag. Equipment mounted or located in the air bag deployment area will damage or reduce the effectiveness of the air bag, or become a projectile that could cause serious personal injury or death. Refer to your vehicle owner's manual for the air bag deployment area. The User/Installer assumes full responsibility to determine proper mounting location, based on providing ultimate safety to all passengers inside the vehicle.**
- **For this product to operate at optimum efficiency, a good electrical connection to chassis ground must be made. The recommended procedure requires the product ground wire to be connected directly to the NEGATIVE (-) battery post.**
- **If this product uses a remote device to activate or control this product, make sure that this control is located in an area that allows both the vehicle and the control to be operated safely in any driving condition.**
- **Do not attempt to activate or control this device in a hazardous driving situation.**
- **This product contains either strobe light(s), halogen light(s), high-intensity LEDs or a combination of these lights. Do not stare directly into these lights. Momentary blindness and/or eye damage could result.**
- **Use only soap and water to clean the outer lens. Use of other chemicals could result in premature lens cracking (crazing) and discoloration. Lenses in this condition have significantly reduced effectiveness and should be replaced immediately. Inspect and operate this product regularly to confirm its proper operation and mounting condition. Do not use a pressure washer to clean this product.**
- **It is recommended that these instructions be stored in a safe place and referred to when performing maintenance and/or reinstallation of this product.**
- **FAILURE TO FOLLOW THESE SAFETY PRECAUTIONS AND INSTRUCTIONS COULD RESULT IN DAMAGE TO THE PRODUCT OR VEHICLE AND/OR SERIOUS INJURY TO YOU AND YOUR PASSENGERS!**

For warranty information regarding this product, visit www.whelen.com/warranty

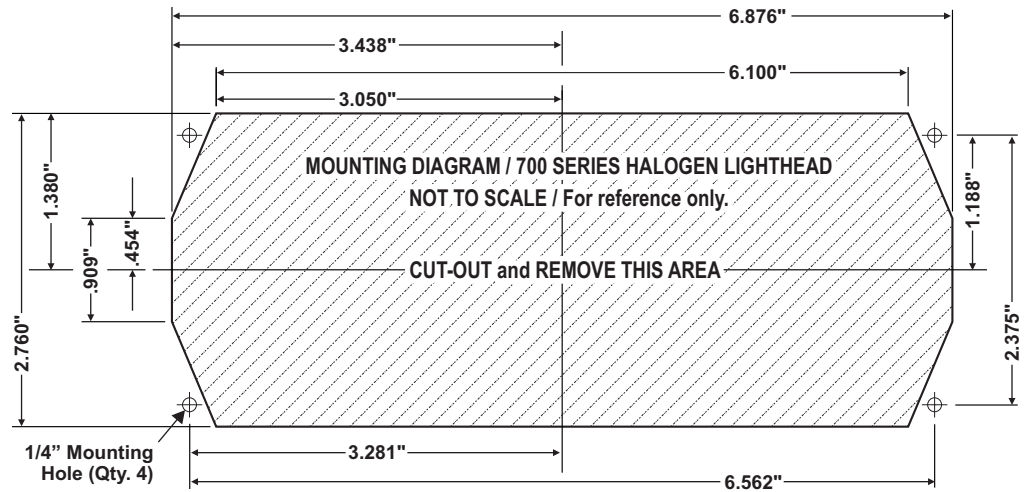
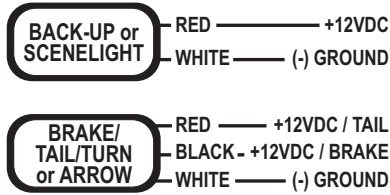
Installation:

1. Using the measurements in the mounting diagram, mark off the 4 mounting holes and center cut-out.
2. Drill the 4 mounting holes and cut-out center area using the measurements shown here.
3. Attach the lighthead securely to the vehicle using the 4 Phillips head sheet metal screws and flange grommet supplied.
4. Extend the wires to their connections.

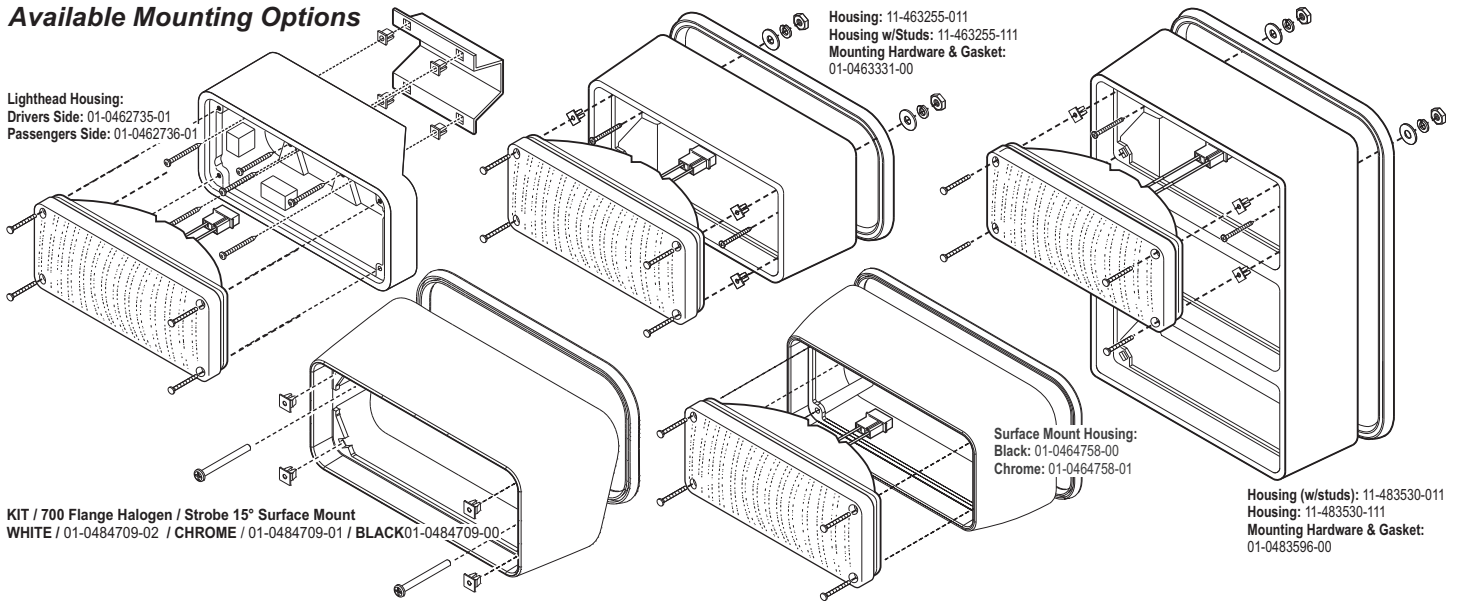
WARNING! All customer supplied wires that connect to the positive terminal of the battery must be sized to supply at least 125% of the maximum operating current and FUSED at the battery to carry the load. DO NOT USE CIRCUIT BREAKERS WITH THIS PRODUCT!

IMPORTANT! Before returning this vehicle to active service, visually confirm the proper operation of this product, as well as all vehicle components/equipment.

Wiring:

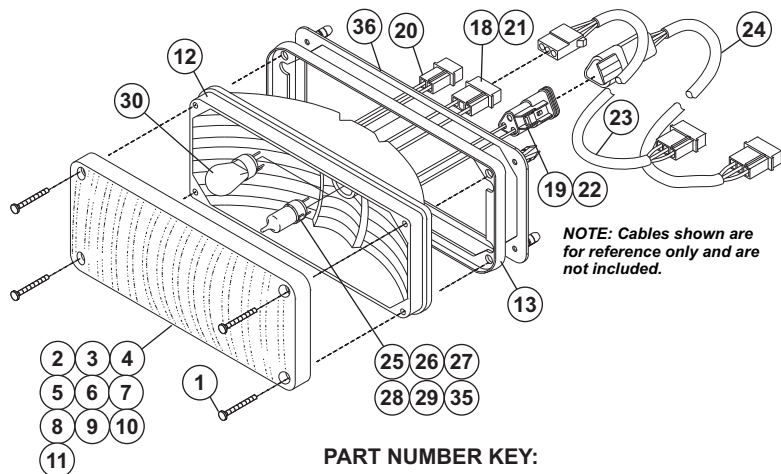


Available Mounting Options



700 SERIES HALOGEN LIGHTHEAD

Snap-In Style: Warning, Scenelight, Back-Up, Brake/Tail/Turn



PART NUMBER KEY:

BASIC P/N WATTAGE COLOR CONNECTOR & CABLE REQ.

01-0683709

WATTAGE:

- 0 = 12V - 35W
- 1 = 12V - 50W
- 2 = 12V - 60W
- 3 = 12V - 27W
- 4 = 12V - 20W
- 5 = 12.8V - 14V, 27/12W
- 6 = 28V - 35W

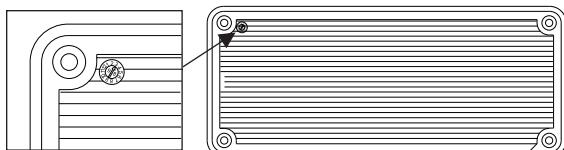
COLOR:

- A = AMBER
- B = BLUE
- C = CLEAR
- G = GREEN
- R = RED
- * = SPLIT
- 5 = KKKE-SPEC RED
- Q = RED ARROW
- T = AMBER ARROW
- S = SCENELIGHT

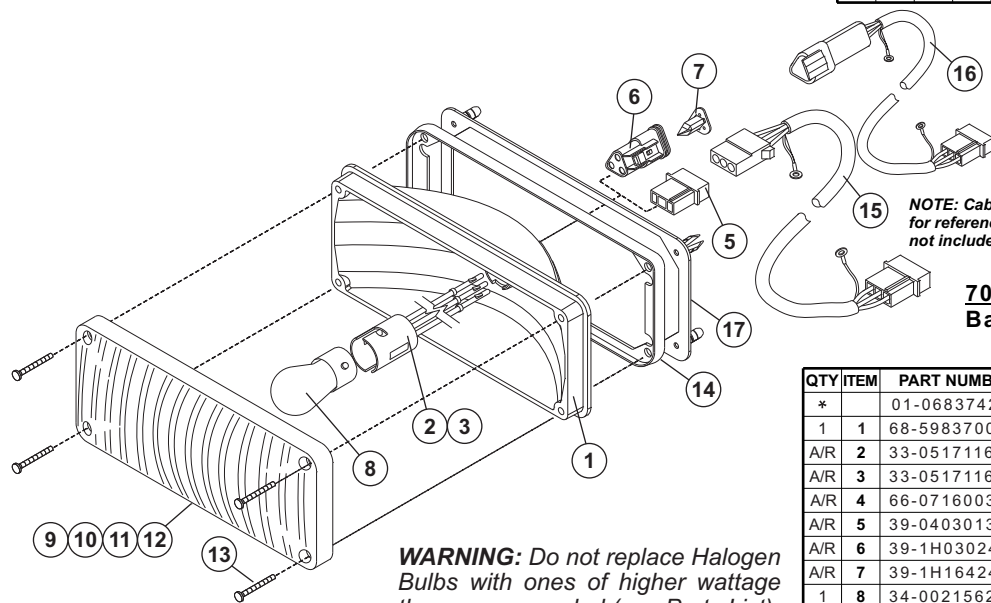
CONNECTOR / CABLE

- 0 = 3 POS. 2 WIRE AMP CONN without CABLE
- 1 = 3 POS. 2 WIRE AMP CONN with CABLE
- 2 = 2 WIRE DEUTSCH CONN without CABLE
- 3 = 2 WIRE DEUTSCH CONN with CABLE
- 4 = 2 POS. AMP CONN without CABLE
- 5 = 3 POS. 3 WIRE AMP CONN without CABLE
- 6 = 3 POS. 3 WIRE AMP CONN with CABLE
- 7 = 3 WIRE DEUTSCH CONN without CABLE
- 8 = 3 WIRE DEUTSCH CONN with CABLE

NOTE: If you have a scene light lens, the date stamp on the lens must be located on the top when mounted.



WARNING: Do not replace Halogen Bulbs with ones of higher wattage than recommended (see Parts List).



WARNING: Do not replace Halogen Bulbs with ones of higher wattage than recommended (see Parts List).

PART NO. KEY:

BASIC P/N LENS TYPE & COLOR CABLE & CONNECTOR

01-0683742-

LENS TYPE & COLOR

- A = AMBER OPTIC
- R = RED OPTIC
- Q = RED ARROW
- T = AMBER ARROW

CABLE & CONNECTOR

- 0 = Without Cable / AMP CONNECTOR
- 1 = With Cable & AMP CONNECTOR
- 2 = Without Cable / DEUTSCH CONNECTOR
- 3 = With Cable & DEUTSCH CONNECTOR

QTY	QTY	QTY	QTY	ITEM	PART NUMBER	DESCRIPTION
		*			01-0683709	MODEL 700 HALOGEN
		*			01-0683709S	MODEL 700 STOP/TAI/TURN
	*				01-06837090S	MODEL 700 SCENELIGHT
*					01-06837093S0	MODEL 700 BACK-UP
4	4	4	4	1	15-061416-240	#6 X 1 1/2" PHIL PAN HD SMS
-	-	A/R	A/R	2	68-1183582-1S	LENS, AMBER W/ SEAL
-	-	-	A/R	3	68-1183582-2S	LENS, BLUE W/ SEAL
-	-	-	A/R	4	68-1183582-3S	LENS, CLEAR W/ SEAL
-	-	-	A/R	5	68-1183582-4S	LENS, GREEN W/ SEAL
-	-	A/R	A/R	6	68-1183582-5S	LENS, RED W/ SEAL
-	-	-	A/R	7	68-1183582E5S	LENS, KKKE-SPEC RED W/ SEAL
-	-	-	A/R	8	02-0363417	LENS, SPLIT W/ SEAL
-	-	A/R	-	9	68-1183529-5S	LENS, RED ARROW W/ SEAL
-	-	A/R	-	10	68-1183529-1S	LENS, AMBER ARROW W/ SEAL
1	1	-	-	11	68-5983140-01	700 HALOGEN REFLECTOR
1	1	1	1	12	68-5983140-01	700 HALOGEN REFLECTOR
1	1	1	1	13	38-0463342-00	GASKET
1	1	1	1	14	10-0320776-00	MADE IN THE USA FLAG LABEL
1	-	-	1	15	10-0522890-02	LABEL, 700 SERIES HALOGEN
-	-	1	-	16	10-0522890-03	LABEL, 700 SERIES STOP/TAI/TURN
-	1	-	-	17	10-0522890-04	LABEL, 700 SERIES SCENELIGHT
1	A/R	-	A/R	18	46-0742624-02	SNAP-IN CLIP (2 WIRE)
-	A/R	-	A/R	19	46-0742651-02	SNAP-IN CLIP (2 WIRE) WATERPROOF
-	-	-	A/R	20	46-0742684-01	SNAP-IN CLIP (2 WIRE) 2 POS. AMP
-	-	A/R	-	21	46-0742624-03	SNAP-IN CLIP (3 WIRE)
-	-	A/R	-	22	46-0742651-03	SNAP-IN CLIP (3 WIRE) WATERPROOF
-	A/R	A/R	A/R	23	01-0440624-15	KIT, CABLE ASSEMBLY
-	A/R	A/R	A/R	24	01-0442199-15	KIT, CABLE ASSEMBLY (WATERPROOF)
-	1	-	A/R	25	34-0041987-00	ASSEMBLY, SNAP-IN LAMP (12V-35W)
-	-	-	A/R	26	34-0041987-01	ASSEMBLY, SNAP-IN LAMP (12V-50W)
-	-	-	A/R	27	34-0041987-07	ASSEMBLY, SNAP-IN LAMP (12V-60W)
1	-	-	A/R	28	34-0041987-03	ASSEMBLY, SNAP-IN LAMP (12V-27H)
-	-	-	A/R	29	34-0041987-04	ASSEMBLY, SNAP-IN LAMP (12V-20W)
-	-	1	-	30	34-0062389-00	ASSY, LAMP, 12.8V-14V, 27/12W
1	1	1	1	31	22-0463039-00	HOUSING, RIGHT ANGLE CLIP DETAIL
A/R	A/R	A/R	A/R	32	66-0716286-00	ADHESIVE GEL
A/R	A/R	A/R	A/R	33	66-0716886-00	PRIMER
1	1	1	1	34	66-0422787-00	TAPE, STRAIN RELIEF
-	-	-	A/R	35	34-0041987-02	ASSEMBLY, SNAP-IN LAMP (28V-35W)
1	1	1	1	36	11-76D257-000	FLANGE GROMMET, 700 SERIES

700 SERIES HALOGEN LIGHTHEAD

Bayonet Style: Brake/Tail/Turn

QTY	ITEM	PART NUMBER	DESCRIPTION
*		01-0683742-	MODEL 700 SERIES, STOP/TAI/TURN
1	1	68-5983700-01	REFLECTOR, STOP/TAI/TURN, 700 SERIES
A/R	2	33-0517116-01	SOCKET ASS'Y, AMP
A/R	3	33-0517116-02	SOCKET ASS'Y, DEUTSCH
A/R	4	66-0716003-1C	EPOXY
A/R	5	39-0403013-04	3 POS PIN HOUSING
A/R	6	39-1H03024-35	DEUTSCH 3 POS SOCKET CONNECTOR
A/R	7	39-1H16424-3S	DEUTSCH 3 POS SOCKET WEDGE
1	8	34-0021562-00	LAMP, STOP/TAI/TURN #1157
A/R	9	68-1183582-1S	LENS, MODEL 700 SERIES, AMBER
A/R	10	68-1183582-5S	LENS, MODEL 700 SERIES, RED
A/R	11	68-1183529-1S	LENS, MODEL 700 SERIES ARROW, AMBER
A/R	12	68-1183529-5S	LENS, MODEL 700 SERIES ARROW, RED
4	13	15-061416-240	SCREW, #6 X 1-1/2" PPHSMS
1	14	38-0463342-00	GASKET, MOLDED, MODEL 700
A/R	15	01-0440624-15	KIT, CABLE ASS'Y, AMP
A/R	16	01-0442199-15	KIT, CABLE ASS'Y, WATERPROOF
1	17	11-76D257-000	FLANGE GROMMET, 700 SERIES