

WHELEN[®]

ENGINEERING COMPANY INC.

51 Winthrop Road
Chester, Connecticut 06412-0684
Phone: (860) 526-9504
Fax: (860) 526-4078
Internet: www.whelen.com
Sales e-mail: autosale@whelen.com
Canadian Sales e-mail: canadiansales@whelen.com
Customer Service e-mail: custserv@whelen.com

Installation/Wiring Guide:
Models 1502, 1502M, 1510 & 1510M
Strobe Beacons

Warnings to Installers

Whelen's emergency vehicle warning devices must be properly mounted and wired in order to be effective and safe. Read and follow all of Whelen's written instructions when installing or using this device. Emergency vehicles are often operated under high speed stressful conditions which must be accounted for when installing all emergency warning devices. Controls should be placed within convenient reach of the operator so that he can operate the system without taking his eyes off the roadway. Emergency warning devices can require high electrical voltages and/or currents. Properly protect and use caution around live electrical connections. Grounding or shorting of electrical connections can cause high current arcing, which can cause personal injury and/or vehicle damage, including fire. Many electronic devices used in emergency vehicles can create or be affected by electromagnetic interference. Therefore, after installation of any electronic device it is necessary to test all electronic equipment simultaneously to insure that they operate free of interference from other components within the vehicle. Never power emergency warning equipment from the same circuit or share the same grounding circuit with radio communication equipment. All devices should be mounted in accordance with the manufacturer's instructions and securely fastened to vehicle elements of sufficient strength to withstand the forces applied to the device. Driver and/or passenger air bags (SRS) will affect the way equipment should be mounted. This device should be mounted by permanent installation and within the zones specified by the vehicle manufacturer, if any. Any device mounted in the deployment area of an air bag will damage or reduce the effectiveness of the air bag and may damage or dislodge the device. Installer must be sure that this device, its mounting hardware and electrical supply wiring does not interfere with the air bag or the SRS wiring or sensors. Mounting the unit inside the vehicle by a method other than permanent installation is not recommended as unit may become dislodged during swerving; sudden braking or collision. Failure to follow instructions can result in personal injury. Whelen assumes no liability for any loss resulting from the use of this warning device. **PROPER INSTALLATION COMBINED WITH OPERATOR TRAINING IN THE PROPER USE OF EMERGENCY WARNING DEVICES IS ESSENTIAL TO INSURE THE SAFETY OF EMERGENCY PERSONNEL AND THE PUBLIC.**

Warnings to Users

Whelen's emergency vehicle warning devices are intended to alert other operators and pedestrians to the presence and operation of emergency vehicles and personnel. However, the use of this or any other Whelen emergency warning device does not guarantee that you will have the right-of-way or that other drivers and pedestrians will properly heed an emergency warning signal. Never assume you have the right-of-way. It is your responsibility to proceed safely before entering an intersection, driving against traffic, responding at a high rate of speed, or walking on or around traffic lanes. Emergency vehicle warning devices should be tested on a daily basis to ensure that they operate properly. When in actual use, the operator must ensure that both visual and audible warnings are not blocked by vehicle components (i.e.: open trunks or compartment doors), people, vehicles, or other obstructions. It is the user's responsibility to understand and obey all laws regarding emergency warning devices. The user should be familiar with all applicable laws and regulations prior to the use of any emergency vehicle warning device. Whelen's audible warning devices are designed to project sound in a forward direction away from the vehicle occupants. However, because sustained periodic exposure to loud sounds can cause hearing loss, all audible warning devices should be installed and operated in accordance with the standards established by the National Fire Protection Association.

Safety First

This document provides all the necessary information to allow your Whelen product to be properly and safely installed. Before beginning the installation and/or operation of your new product, the installation technician and operator must read this manual completely. Important information is contained herein that could prevent serious injury or damage.

- **Proper installation of this product requires the installer to have a good understanding of automotive electronics, systems and procedures.**
- **Whelen Engineering requires the use of waterproof butt splices and/or connectors if that connector could be exposed to moisture.**
- **Failure to use specified installation parts and/or hardware will void the product warranty.**
- **If mounting this product requires drilling holes, the installer MUST be sure that no vehicle components or other vital parts could be damaged by the drilling process. Check both sides of the mounting surface before drilling begins. Also de-burr the holes and remove any metal shards or remnants. Install grommets into all wire passage holes.**
- **If this manual states that this product may be mounted with suction cups, magnets, tape or Velcro®, clean the mounting surface with a 50/50 mix of isopropyl alcohol and water and dry thoroughly.**
- **Do not install this product or route any wires in the deployment area of your air bag. Equipment mounted or located in the air bag deployment area will damage or reduce the effectiveness of the air bag, or become a projectile that could cause serious personal injury or death. Refer to your vehicle owner's manual for the air bag deployment area. The User/Installer assumes full responsibility to determine proper mounting location, based on providing ultimate safety to all passengers inside the vehicle.**
- **For this product to operate at optimum efficiency, a good electrical connection to chassis ground must be made. The recommended procedure requires the product ground wire to be connected directly to the NEGATIVE (-) battery post (this does not include products that use cigar power cords).**
- **If this product uses a remote device for activation or control, make sure that this device is located in an area that allows both the vehicle and the device to be operated safely in any driving condition.**
- **Do not attempt to activate or control this device in a hazardous driving situation.**
- **This product contains either strobe light(s), halogen light(s), high-intensity LEDs or a combination of these lights. Do not stare directly into these lights. Momentary blindness and/or eye damage could result.**
- **Use only soap and water to clean the outer lens. Use of other chemicals could result in premature lens cracking (crazing) and discoloration. Lenses in this condition have significantly reduced effectiveness and should be replaced immediately. Inspect and operate this product regularly to confirm its proper operation and mounting condition. Do not use a pressure washer to clean this product.**
- **It is recommended that these instructions be stored in a safe place and referred to when performing maintenance and/or reinstallation of this product.**
- **FAILURE TO FOLLOW THESE SAFETY PRECAUTIONS AND INSTRUCTIONS COULD RESULT IN DAMAGE TO THE PRODUCT OR VEHICLE AND/OR SERIOUS INJURY TO YOU AND YOUR PASSENGERS!**

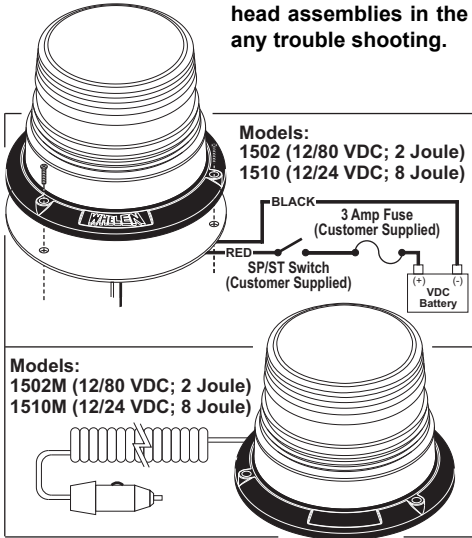
Mounting (Permanent):

CAUTION! As mounting this beacon will require drilling, it is absolutely necessary to make sure that no other vehicle components could be damaged in the process. Check both sides of the mounting surface before starting and if damage is possible, select a different mounting area.

1. Position the beacon on its proposed mounting surface.
2. Using the base gasket as a template, scribe the mounting surface where the 3 mounting holes and wire passage hole will be drilled.
3. Using a #16 drill bit, drill the 3 mounting holes. Using a 3/8" drill bit, drill the wire passage hole. Install the included grommet into this hole.
4. Route the RED & BLACK wires through the center hole in the base gasket and through the grommeted wire passage hole. Apply RTV silicone to the grommeted opening for protection.
5. Align the mounting holes with the base gasket and the base of the beacon and secure with the included #10 x 1" screws.

Wiring:

WARNING! The strobe light power supply is a high voltage device. Do not remove strobe tubes or dismantle strobe light head assemblies in the system while it is in operation. Wait 10 minutes after turning off power before starting work or any trouble shooting.



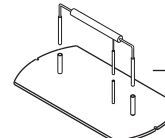
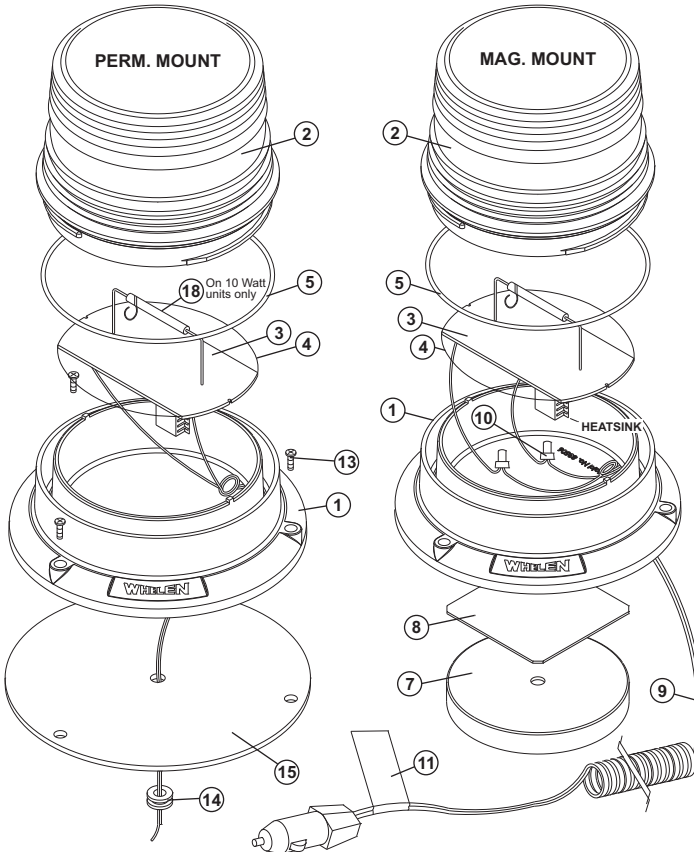
Extend the wires to the battery and connect the BLACK wire to ground. Connect the RED wire to one end of a user supplied Single Pole/Single Throw switch (Optional). Extend a wire from the switch to a fuse block (3 amps). After the fuse block is in place, connect the RED wire to the POSITIVE (+) terminal of the battery. After this connection has been made, inspect the wires and make sure they are wired correctly.

WARNING! All customer supplied wires that connect to the positive terminal of the battery must be sized to supply at least 125% of the maximum operating current and **FUSED** at the battery to carry that load. **DO NOT USE CIRCUIT BREAKERS WITH THIS PRODUCT!**

Magnetic Mount (Optional):

Place the beacon on any flat metal surface and plug the cigar cord into the vehicles cigar lighter. The beacon is controlled with the On/Off cigar cord switch.

IMPORTANT! The use of any magnetically mounted warning beacon on the outside of a vehicle while in motion is not recommended and is at the sole discretion and responsibility of the user.



Models 1510/1510M feature a replaceable 8 joule strobe tube (P/N 36-0146216-00). Unscrew the dome lens to access the tube for replacement.

QTY	QTY	QTY	QTY	ITEM	PART NUMBER	DESCRIPTION
		*			01-0683760-__P	MID-SIZE BEACON / NON-RELAMPABLE / 2 with PERM MT.
		*			01-0683760-__M	MID-SIZE BEACON / NON-RELAMPABLE / 2 with MAG MT.
	*				01-06837601__P	MID-SIZE BEACON / RELAMPABLE/10 with PERM MT.
*					01-06837601__M	MID-SIZE BEACON / RELAMPABLE / 10 with MAG MT.
1	1	1	1	1	11-383506-001	BASE / MID-SIZE BEACON / WHELEN LOGO
AR	AR	AR	AR	2	68-1983507-10	LENS / MID-SIZE BEACON / AMBER
AR	AR	AR	AR	2	68-1983507-20	LENS / MID-SIZE BEACON / BLUE
AR	AR	AR	AR	2	68-1983507-30	LENS / MID-SIZE BEACON / CLEAR
AR	AR	AR	AR	2	68-1983507-40	LENS / MID-SIZE BEACON / GREEN
AR	AR	AR	AR	2	68-1983507-50	LENS / MID-SIZE BEACON / RED
-	-	1	1	3	02-0168929-00	PC BOARD-LAMP ASSY / NON-RELAMPABLE / 2W
1	1	-	-	4	02-0168997-00	PC BOARD-LAMP ASSY / RELAMPABLE / 10W
1	1	1	1	5	38-0417044-00	O-RING
1	1	1	1	6	10-0323282-__	LABEL / MODEL / WARNING / 1502, 1510 (not shown)
1	-	1	-	7	65-0010192-00	MAGNET / 90# PULL
1	-	1	-	8	66-0421273-00	DOUBLE-SIDED TAPE
1	-	1	-	9	69-2311824-00	COIL CORD with CIGAR PLUG
2	-	2	-	10	25-0910223-03	BUTT TERMINAL
1	-	1	-	11	10-0322783-02	LABEL / AIRBAG & MAG MOUNT WARNING (not shown)
1	1	1	1	12	10-0522909-__	LABEL / WHELEN MODEL 1500 SERIES (not shown)
-	3	-	3	13	15-101416-160	#10 PPHSMS 1"
-	1	-	1	14	21-11091202-0	3/8" GROMMET
-	1	-	1	15	38-0222777-00	GASKET
1	1	-	-	18	36-0146216-00	STROBE TUBE / LINEAR / 1"ARC LENGTH / RELAMPABLE

PART NUMBER KEY:
 01-0683760
 RELAMPABILITY: - = NON-RELAMPABLE / 2W, 1 = RELAMPABLE / 10W
 COLOR: A = AMBER, B = BLUE, C = CLEAR, G = GREEN, R = RED
 MOUNTING: P = PERMANENT, M = MAGNETIC