

WHELEN[®]

ENGINEERING COMPANY INC.

51 Winthrop Road
Chester, Connecticut 06412
Phone: (860) 526-9504
Fax: (860) 526-4078
Internet: www.whelen.com
Sales e-mail: autosale@whelen.com
Canadian Sales e-mail: autocan@whelen.com
Customer Service e-mail: custserv@whelen.com

Installation Guide: B6R, B6T and B6R M7 Series Warning Lights

Safety First

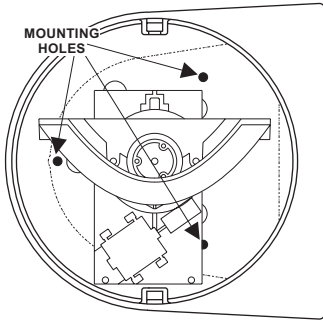
This document provides all the necessary information to allow your Whelen product to be properly and safely installed. Before beginning the installation and/or operation of your new product, the installation technician and operator must read this manual completely. Important information is contained herein that could prevent serious injury or damage.

- **Proper installation of this product requires the installer to have a good understanding of automotive electronics, systems and procedures.**
- **If mounting this product requires drilling holes, the installer MUST be sure that no vehicle components or other vital parts could be damaged by the drilling process. Check both sides of the mounting surface before drilling begins. Also de-burr the holes and remove any metal shards or remnants. Install grommets into all wire passage holes.**
- **If this manual states that this product may be mounted with suction cups, magnets, tape or Velcro™, clean the mounting surface with a 50/50 mix of isopropyl alcohol and water and dry thoroughly.**
- **Do not install this product or route any wires in the deployment area of your air bag. Equipment mounted or located in the air bag deployment area will damage or reduce the effectiveness of the air bag, or become a projectile that could cause serious personal injury or death. Refer to your vehicle owners manual for the air bag deployment area. The User/Installer assumes full responsibility to determine proper mounting location, based on providing ultimate safety to all passengers inside the vehicle.**
- **For this product to operate at optimum efficiency, a good electrical connection to chassis ground must be made. The recommended procedure requires the product ground wire to be connected directly to the NEGATIVE (-) battery post (this does not include products that use cigar power cords).**
- **If this product uses a remote device for activation or control, make sure that this device is located in an area that allows both the vehicle and the device to be operated safely in any driving condition.**
- **Do not attempt to activate or control this device in a hazardous driving situation.**
- **This product contains either strobe light(s), halogen light(s), high-intensity LEDs or a combination of these lights. Do not stare directly into these lights. Momentary blindness and/or eye damage could result.**
- **Use only soap and water to clean the outer lens. Use of other chemicals could result in premature lens cracking (crazing) and discoloration. Lenses in this condition have significantly reduced effectiveness and should be replaced immediately. Inspect and operate this product regularly to confirm its proper operation and mounting condition. Do not use a pressure washer to clean this product.**
- **It is recommended that these instructions be stored in a safe place and referred to when performing maintenance and/or reinstallation of this product.**
- **FAILURE TO FOLLOW THESE SAFETY PRECAUTIONS AND INSTRUCTIONS COULD RESULT IN DAMAGE TO THE PRODUCT OR VEHICLE AND/OR SERIOUS INJURY TO YOU AND YOUR PASSENGERS!**

For warranty information regarding this product, visit www.whelen.com/warranty

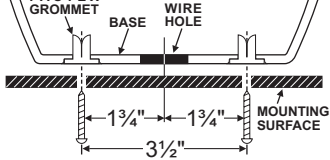
Standard Mounting

TOP VIEW



Thru Hole Mounting

FRONT VIEW / CROSS SECTION



This warning light combines a rotating beacon and an LED lighthouse for double warning. It also meets new NFPA standards for rear upper Zone "C" applications.

Installation:

Before installation, read all warnings on the previous page.

1. Dismantle the light by first removing the screw which fastens the clamp ring that holds lens on and remove the lens.
2. Position the base housing onto the vehicle so that the lower light device is facing directly rearward, locate the three mounting holes drilled into the base housing (See above) and mark them off on the mounting surface of the vehicle.
3. Remove the unit and position the base gasket onto the vehicle. Line the gasket up with the marks you made for the mounting screws and mark off the center wire access hole.
4. Drill the base mounting holes for the three #10 sheet metal screws and for the center wire access hole (Grommet as needed. Customer supplied).
5. Feed the wires out of the unit, through the mounting gasket and through the access hole and connect them to your power source. (See wiring)
6. Attach the base to the vehicle with the 3 sheet metal screws supplied, then reassemble and test the unit.

OPTIONAL MOUNTING: To install the unit using "Thru Hole Mounting", on the mounting surface, drill two holes, sized for a 1/4" sheet metal screw following the diagram above. Be sure that these markings reflect the desired direction that the unit will face once installed. Insert the customer supplied screws up through the bottom of the base and tighten to secure.

WARNING! All customer supplied wires that connect to the positive terminal of the battery must be sized to supply at least 125% of the maximum operating current and **FUSED** at the battery to carry that load. **DO NOT USE CIRCUIT BREAKERS WITH THIS PRODUCT!**

Lo Intensity / Violet Wire: This feature allows the user to step the unit down to low power operation for nighttime use.

Apply positive voltage to the VIOLET wire to put the lighthouse into low power. Remove voltage from the VIOLET wire to restore high power operation.

Scan-Lock™ / White-Violet Wire: Flash pattern selection.

To change flash patterns, first turn the lighthouse on:

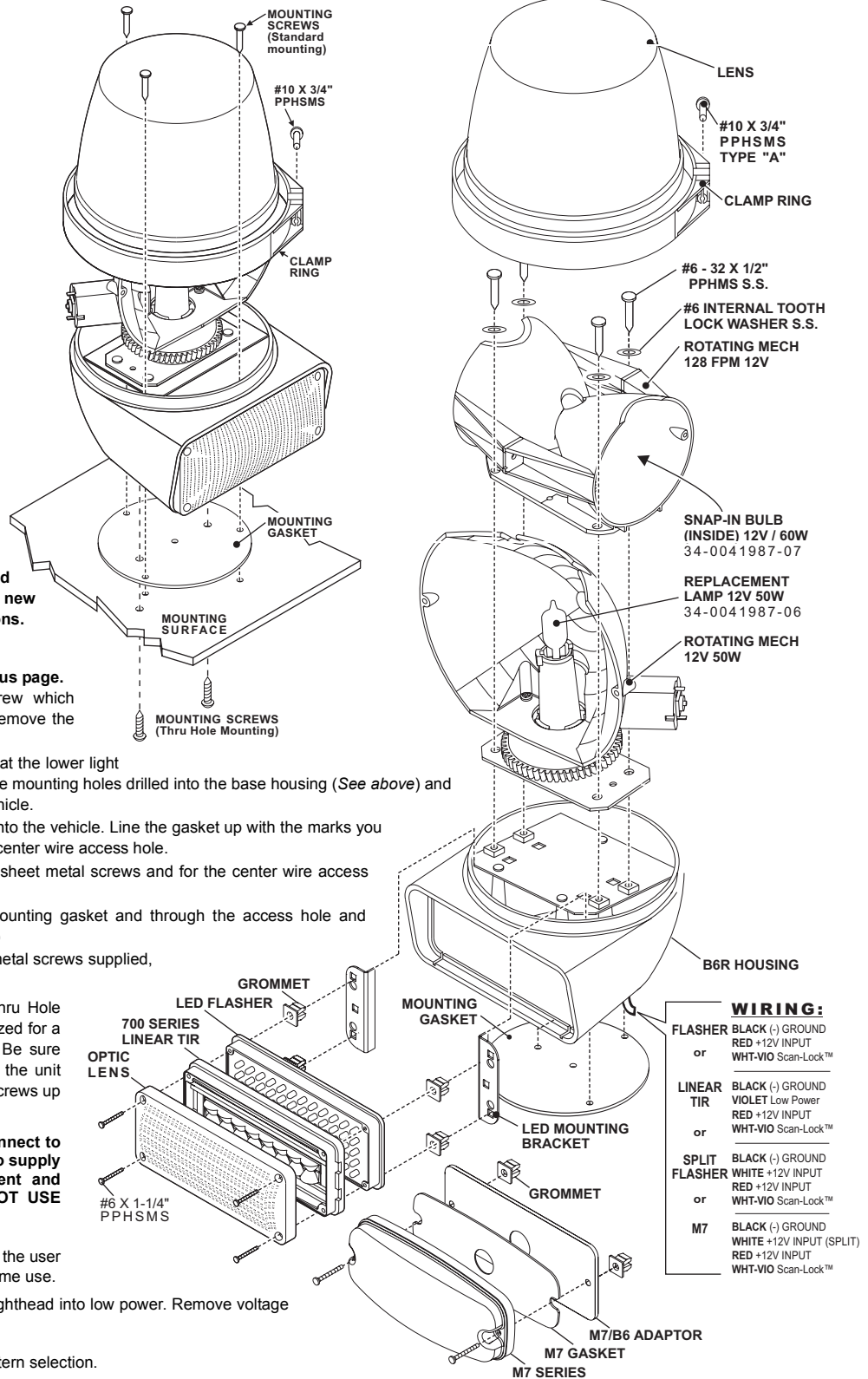
TO CYCLE THROUGH ALL PATTERNS: Apply +12 volts to the WHITE-VIOLET wire for less than 1 second and release to cycle forward. Apply +12 volts to the WHITE-VIOLET wire for more than 1 second and release to cycle backward.

TO SET A PATTERN AS DEFAULT: Allow the desired pattern to run for more than 5 seconds. The lighthouse will now display this pattern when active.

TO RESET TO THE FACTORY DEFAULT PATTERN: Turn off power, apply +12 volts to the WHITE-VIOLET wire, turn power on.

IMPORTANT WARNING!

CAUTION! DO NOT LOOK DIRECTLY AT THESE LED'S WHILE THEY ARE ON. MOMENTARY BLINDNESS AND/OR EYE DAMAGE COULD RESULT!



WIRING:

FLASHER	BLACK (-) GROUND
	RED +12V INPUT
or	WHT-VIO Scan-Lock™
LINEAR TIR	BLACK (-) GROUND
	VIOLET Low Power
or	RED +12V INPUT
	WHT-VIO Scan-Lock™
SPLIT FLASHER	BLACK (-) GROUND
	WHITE +12V INPUT
or	WHT-VIO Scan-Lock™
M7	BLACK (-) GROUND
	WHITE +12V INPUT (SPLIT)
	RED +12V INPUT
	WHT-VIO Scan-Lock™

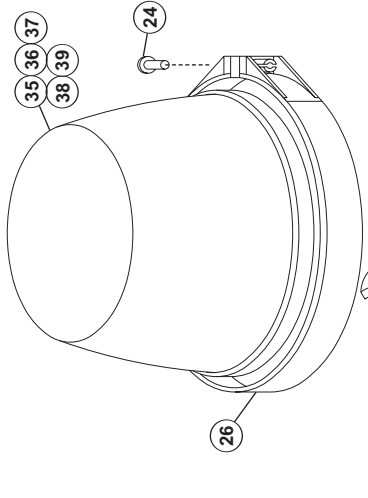
FLASH PATTERNS:

1. SignalAlert™ 75
2. SignalAlert™ 150
3. SingleFlash 375
4. SingleFlash 150
5. SingleFlash 75
6. DoubleFlash 150
7. DoubleFlash 75
8. CometFlash® 75
9. ActionFlash™
10. ModuFlash™
11. ComAlert™
12. ActionScan™

FLASH PATTERNS

13. SignalAlert™
 14. Steady
 15. Steady-Brake
- FLASH PATTERNS**
- SPLIT / 4 WIRE:**
1. SignalAlert™ 75 Alt.
 2. SignalAlert™ 75 Sim.
 3. CometFlash® 75 Alt.
 4. CometFlash® 75 Sim.
 5. DoubleFlash 150 Alt.
 6. DoubleFlash 150 Sim.
 7. DoubleFlash 75 Alt.
 8. DoubleFlash 75 Sim.

9. SingleFlash 375 Alt.
10. SingleFlash 375 Sim.
11. SingleFlash 150 Alt.
12. SingleFlash 150 Sim.
13. SingleFlash 75 Alt.
14. SingleFlash 75 Sim.
15. ActionFlash™ Alt.
16. ActionFlash™ Sim.
17. ModuFlash™ Alt.
18. ModuFlash™ - Sim.
19. ActionScan™
20. SSNF CH-1 Flash CH-2 Steady

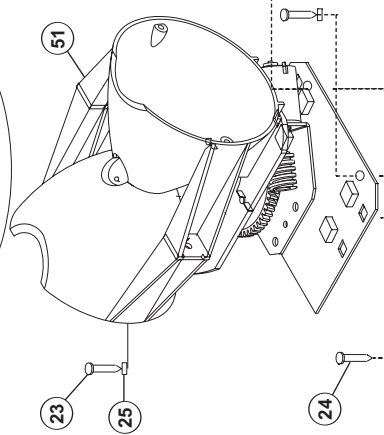


Upper Dome Color & Rotator Type
 1 = AMBER-DUAL
 2 = BLUE-DUAL
 3 = CLEAR-DUAL
 4 = GREEN-DUAL
 5 = RED-DUAL

LED Style
 5 = 5mm FLASHER
 M = LINEAR TIR FLASHER
 7 = M7 LED

PART NUMBER KEY:
 01-0683693

LED/Lens Color
 UPPER DOME COLOR
 LED STYLE

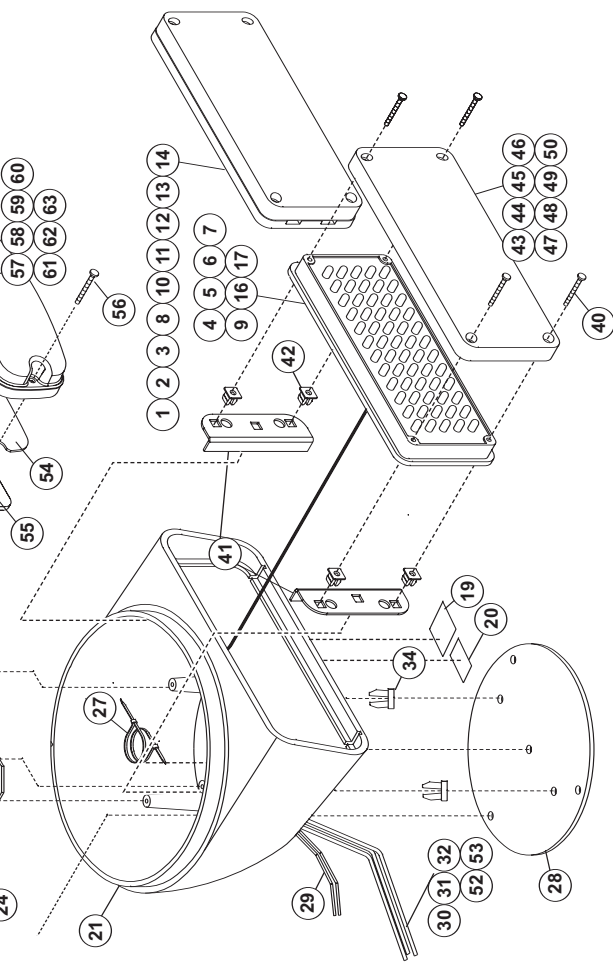
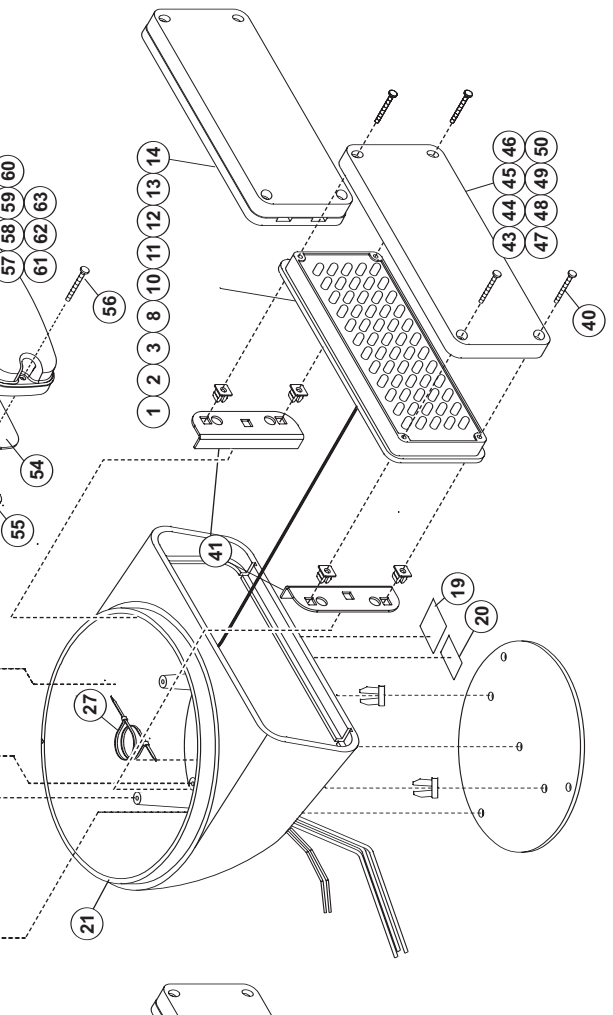
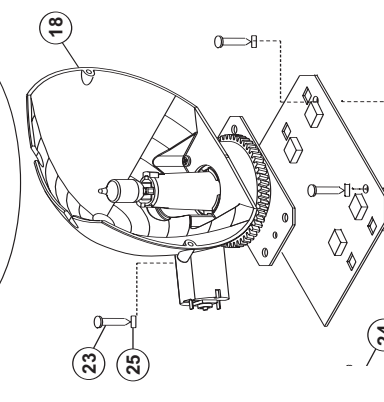
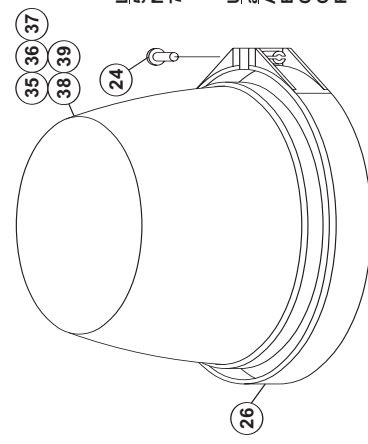


LED Style
 5 = 5mm FLASHER
 M = LINEAR TIR FLASHER
 7 = M7 LED

Upper Dome Color and Rotator Type
 A = AMBER/SINGLE
 B = BLUE/SINGLE
 C = CLEAR/SINGLE
 G = GREEN/SINGLE
 R = RED/SINGLE

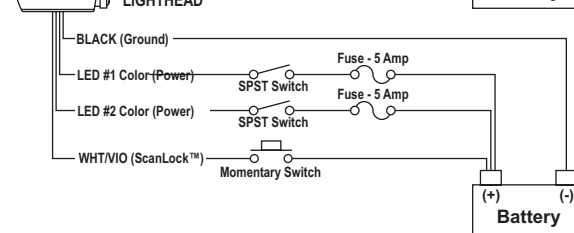
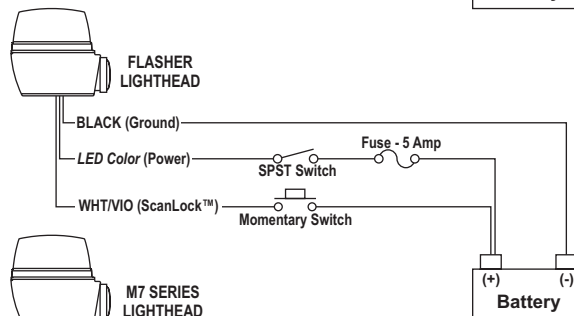
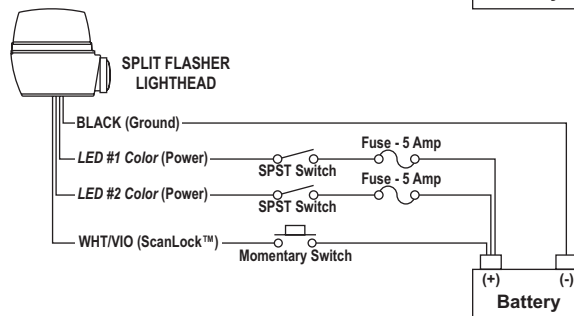
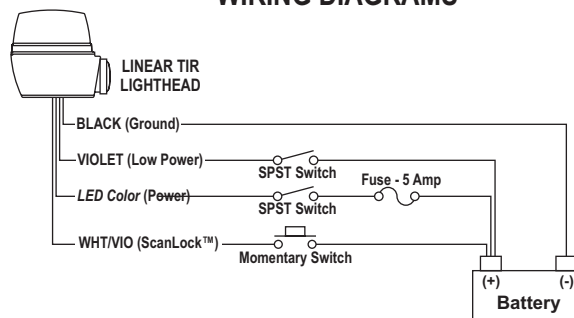
PART NUMBER KEY:
 01-0683693

LED/Lens Color
 Upper Dome Color
 LED Style



QTY	QTY	QTY	ITEM	PART NUMBER	DESCRIPTION
		*		01-06836935__	B6R SERIES LED
	*			01-06836937__	B6R SERIES M7
	*			01-0683693M__	B6R SERIES LINEAR TIR
A/R	-	-	1	01-0286419410	700 LINEAR TIR / AMBER / CLEAR / 4 WIRE
A/R	-	-	2	01-0286419420	700 LINEAR TIR / BLUE / CLEAR / 4 WIRE
A/R	-	-	3	01-0286419440	700 LINEAR TIR / GREEN / CLEAR / 4 WIRE
-	-	A/R	4	01-0283461-15	700 LED FLASHER / AMBER
-	-	A/R	5	01-0283461-25	700 LED FLASHER / BLUE
-	-	A/R	6	01-0283461-45	700 LED FLASHER / GREEN
-	-	A/R	7	01-0283461-55	700 LED FLASHER / RED
A/R	-	-	8	01-0286419450	700 LINEAR TIR / RED / CLEAR / 4 WIRE
-	-	A/R	9	01-0283461-35	700 LED FLASHER / WHITE
A/R	-	-	10	01-0286419430	700 LINEAR TIR / WHITE / CLEAR / 4 WIRE
A/R	-	-	11	01-02864194A0	700 LINEAR TIR / AMB-AMB / 4 WIRE
A/R	-	-	12	01-02864194B0	700 LINEAR TIR / BLU-BLU / 4 WIRE
A/R	-	-	13	01-02864194G0	700 LINEAR TIR / GRN-GRN / 4 WIRE
A/R	-	-	14	01-02864194R0	700 LINEAR TIR / RED-RED / 4 WIRE
A/R	A/R	A/R	15	10-0522496-05	LABEL / MODEL B6T SERIES
-	-	A/R	16	01-0283461-J5	700 LED FLASHER - RED/BLUE
-	-	A/R	17	01-0283461-D5	700 LED FLASHER - RED/WHITE
A/R	A/R	A/R	18	02-0382968-00	B6R ROT. MECH. 150 FPM-12V-50W
1	1	1	19	10-0320776-00	LABEL / MADE IN USA FLAG
A/R	A/R	A/R	20	10-0522496-03	LABEL / MODEL B6R SERIES
1	1	1	21	11-483144-011	HOUSING / MODEL B6R - POLISHED
1	1	1	22	01-0482951-00	KIT / PACKING B6R SERIES
3	3	3	23	14-062216-080	SCREW / #6-32 X 1/2" PPHMS S.S.
1	1	1	24	15-101416-120	SCREW / #10 X 3/4" PPHMS TYPE A
3	3	3	25	16-0621020-32	WASHER / #6 INTERNAL TOOTH LOCK SS
1	1	1	26	19-261465-000	CLAMP RING
2	2	2	27	26-0215001-06	TY-WRAP / 6" BLACK
REF	REF	REF	28	38-0242422-00	GASKET / MOUNTING
1	1	1	29	46-0942425-00	HARNES / INPUT B6R ROTATOR
A/R	A/R	A/R	30	67-10118991800	WIRE / 18 GA 18" WHITE
1	1	1	31	67-10118221800	WIRE / 18 GA 18" RED
1	1	1	32	67-10118001800	WIRE / 18 GA 18" BLACK
A/R	A/R	A/R	33	25-0510223-05	BUTT TERMINAL / 22-16 INLINE
REF	REF	REF	34	21-12081205-3	SCREW GROMMET, FASTEX
A/R	A/R	A/R	35	68-4161381-10	LENS / B6R - AMBER
A/R	A/R	A/R	36	68-4161381-20	LENS / B6R - BLUE
A/R	A/R	A/R	37	68-4161381-30	LENS / B6R - CLEAR
A/R	A/R	A/R	38	68-4161381-40	LENS / B6R - GREEN
A/R	A/R	A/R	39	68-4161381-50	LENS / B6R - RED
4	-	4	40	15-061416-200	SCREW / #6 X 1-1/4" PPHMS
2	2	2	41	07-242837-000	LED MTG. BRACKET / B6R HOUSING
4	2	4	42	13-062C40-16J	SCREW GROMMET / #6 FASTEX
-	-	A/R	43	68-1183582-1S	LENS / AMBER OPTIC with SEAL
-	-	A/R	44	68-1183582-2S	LENS / BLUE OPTIC with SEAL
-	-	A/R	45	68-1183582-3S	LENS / CLEAR OPTIC with SEAL
-	-	A/R	46	68-1183582-4S	LENS / GREEN OPTIC with SEAL
-	-	A/R	47	68-1183582-5S	LENS / RED OPTIC with SEAL
-	-	A/R	48	02-0363417RBS	LENS / RED-BLUE OPTIC with SEAL
-	-	A/R	49	02-0363417RCS	LENS / RED-CLEAR OPTIC with SEAL
-	-	A/R	50	02-0363417RAS	LENS / RED-AMBER OPTIC with SEAL
A/R	A/R	A/R	51	02-0382968-02	B6T ROT. MECH. 128 FPM-12V-50W
1	1	1	52	67-1011897180	WIRE, 18 GA 18" WHT/VIO
A/R	-	A/R	53	67-1011877180	WIRE / 18 GA 18" VIOLET
-	1	-	54	38-0143750-00	GASKET / DIE CUT M7
-	1	-	55	07-743879-000	M7 TO B6R-B6T ADAPTOR PLATE
-	2	-	56	15-081416-160	SCREW / #8 X 1" PPHMS
-	A/R	-	57	02-036A796-A0	SUB ASSY / M7 SYNC AMB-AMB
-	A/R	-	58	02-036A796-B0	SUB ASSY / M7 SYNC BLU-BLU
-	A/R	-	59	02-036A796-30	SUB ASSY / M7 SYNC WHT-CLR
-	A/R	-	60	02-036A796-R0	SUB ASSY / M7 SYNC RED-RED
-	A/R	-	61	02-036A796-10	SUB ASSY / M7 SYNC AMB-CLR
-	A/R	-	62	02-036A796-20	SUB ASSY / M7 SYNC BLU-CLR
-	A/R	-	63	02-036A796-50	SUB ASSY / M7 SYNC RED-CLR

WIRING DIAGRAMS



IMPORTANT! Before returning the vehicle to active service, visually confirm the proper operation of this product, as well as all vehicle components/equipment.

IMPORTANT! It is the responsibility of the installation technician to make sure that the installation and operation of this product will not interfere with or compromise the operation or efficiency of any vehicle equipment!

CAUTION! Permanent mounting of this product will require drilling. It is absolutely necessary to make sure that no other vehicle components could be damaged by this process. Check both sides of the mounting surface before starting. If damage is likely, select a different mounting location.