

# WHELEN<sup>®</sup>

ENGINEERING COMPANY INC.

51 Winthrop Road  
Chester, Connecticut 06412-0684  
Phone: (860) 526-9504  
Fax: (860) 526-4078  
Internet: [www.whelen.com](http://www.whelen.com)  
Sales e-mail: [autosale@whelen.com](mailto:autosale@whelen.com)  
Canadian Sales e-mail: [autocan@whelen.com](mailto:autocan@whelen.com)  
Customer Service e-mail: [custserv@whelen.com](mailto:custserv@whelen.com)

## Installation Guide: Edge<sup>®</sup> 9M 2 or 4 Strobe Lighthead Kit

### Safety First

This document provides all the necessary information to allow your Whelen product to be properly and safely installed. Before beginning the installation and/or operation of your new product, the installation technician and operator must read this manual completely. Important information is contained herein that could prevent serious injury or damage.

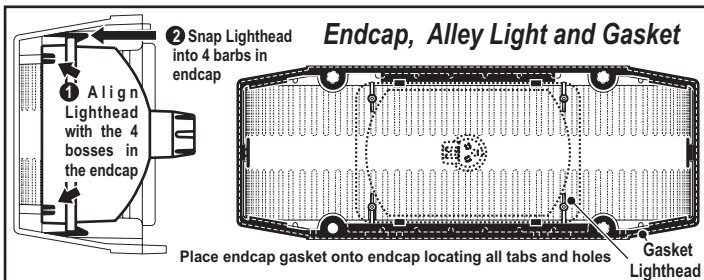
- Proper installation of this product requires the installer to have a good understanding of automotive electronics, systems and procedures.
- If mounting this product requires drilling holes, the installer **MUST** be sure that no vehicle components or other vital parts could be damaged by the drilling process. Check both sides of the mounting surface before drilling begins. Also de-burr any holes and remove any metal shards or remnants. Install grommets into all wire passage holes.
- If this manual states that this product may be mounted with suction cups, magnets, tape or Velcro<sup>®</sup>, clean the mounting surface with a 50/50 mix of isopropyl alcohol and water and dry thoroughly.
- Do not install this product or route any wires in the deployment area of your air bag. Equipment mounted or located in the air bag deployment area will damage or reduce the effectiveness of the air bag, or become a projectile that could cause serious personal injury or death. Refer to your vehicle owner's manual for the air bag deployment area. The User/Installer assumes full responsibility to determine proper mounting location, based on providing ultimate safety to all passengers inside the vehicle.
- For this product to operate at optimum efficiency, a good electrical connection to chassis ground must be made. The recommended procedure requires the product ground wire to be connected directly to the **NEGATIVE (-)** battery post.
- If this product uses a remote device to activate or control this product, make sure that this control is located in an area that allows both the vehicle and the control to be operated safely in any driving condition.
- Do not attempt to activate or control this device in a hazardous driving situation.
- This product contains either strobe light(s), halogen light(s), high-intensity LEDs or a combination of these lights. Do not stare directly into these lights. Momentary blindness and/or eye damage could result.
- Use only soap and water to clean the outer lens. Use of other chemicals could result in premature lens cracking (crazing) and discoloration. Lenses in this condition have significantly reduced effectiveness and should be replaced immediately. Inspect and operate this product regularly to confirm its proper operation and mounting condition. Do not use a pressure washer to clean this product.
- It is recommended that these instructions be stored in a safe place and referred to when performing maintenance and/or reinstallation of this product.
- **FAILURE TO FOLLOW THESE SAFETY PRECAUTIONS AND INSTRUCTIONS COULD RESULT IN DAMAGE TO THE PRODUCT OR VEHICLE AND/OR SERIOUS INJURY TO YOU AND YOUR PASSENGERS!**

**For warranty information regarding this product, visit [www.whelen.com/warranty](http://www.whelen.com/warranty)**

# Strobe Lights: Installation & Wiring

**WARNING: The strobe light power supply is a high voltage device. Do not remove the strobe tubes or dismantle the strobe lighthead in the system while the unit is in operation. Wait 10 minutes after turning off power before starting any work or trouble shooting on the system.**

1. Install the strobe power supply. It can be installed in either port "B" or "C". This manual will show the installation to "C". (see wiring diagram). Position "A" is always for corner strobes.
2. Remove the endcaps. If your lightbar has alley lights, unplug them before fully removing the endcap. Remove any lenses, lighthead or filler panels necessary to access the power supply mounting area on the front driver side of the lightbar inner wall (Figs 1 & 2).

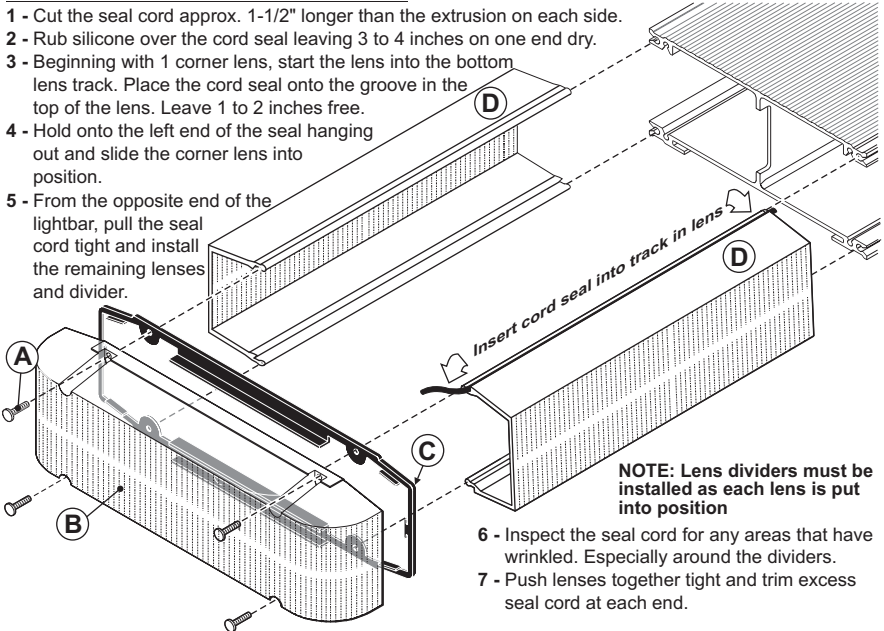


## Removing the Endcap and Lenses

Remove the 4 screws (A) that hold the endcap (B) on and pull the endcap and gasket (C) off. Slide lenses (D) out of the lightbar, to gain access to the extrusion. When reinstalling the lenses and spacers, install the cord seal (NFPA / See below). When reinstalling the endcap, place the endcap gasket into its position on the endcap and line up all the tabs and holes. Spacers (not shown) mount the same as lenses.

### Seal Cord Installation / NFPA MODELS ONLY:

- 1 - Cut the seal cord approx. 1-1/2" longer than the extrusion on each side.
- 2 - Rub silicone over the cord seal leaving 3 to 4 inches on one end dry.
- 3 - Beginning with 1 corner lens, start the lens into the bottom lens track. Place the cord seal onto the groove in the top of the lens. Leave 1 to 2 inches free.
- 4 - Hold onto the left end of the seal hanging out and slide the corner lens into position.
- 5 - From the opposite end of the lightbar, pull the seal cord tight and install the remaining lenses and divider.



3. Secure the power supply to the two mounting studs on the inner wall using the elastic stop nuts supplied, then put the protective rubber covers over the studs (Fig. 3).
4. Next find the strobe power harness with a 6-socket connector on each end and plug one end into the power supply and the other end into strobe port "C" on the power distribution board (see wiring diagram).
5. Plug the 12-pin connector of the strobe lighthead harness into the strobe power supply and the four Amp socket connectors into the four strobe lighthead. If you have a two strobe kit, use only two of the four Amp connectors and tuck the other 2 away where they will not interfere with any other functions.
6. Install the four strobe lighthead into the lightbar base along with the lights you removed. To reinstall lighthead and lenses in proper order, refer to the switch operations sheet included with the lightbar.
7. Plug in the alley lights (if present) and replace the endcaps. Installation is now complete.

**IMPORTANT: It is the responsibility of the installation technician to make sure that the installation and operation of this product will not interfere with or compromise the operation or efficiency of any vehicle equipment.**

**IMPORTANT! Before returning this vehicle to active service, visually confirm the proper operation of this product, as well as all vehicle components/equipment!**

Fig. 2

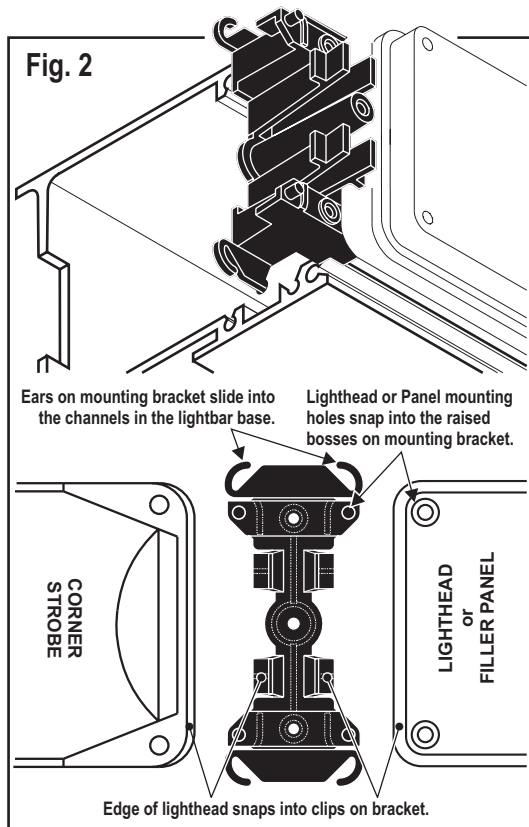
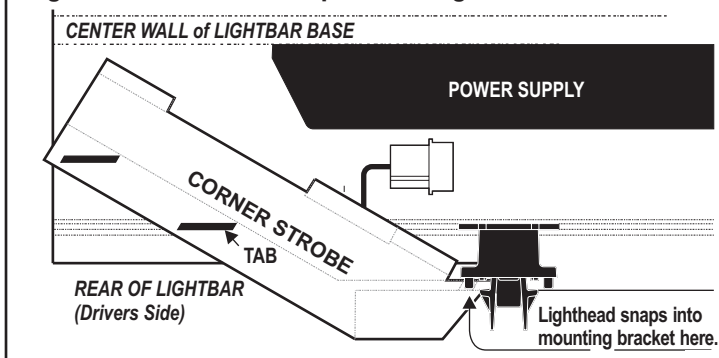
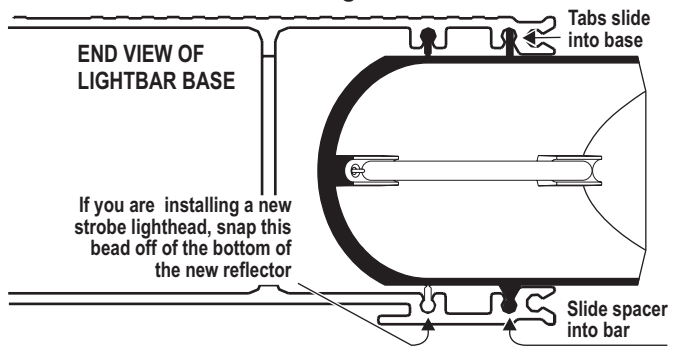


Fig. 1 Corner Strobe / Top view of lightbar base



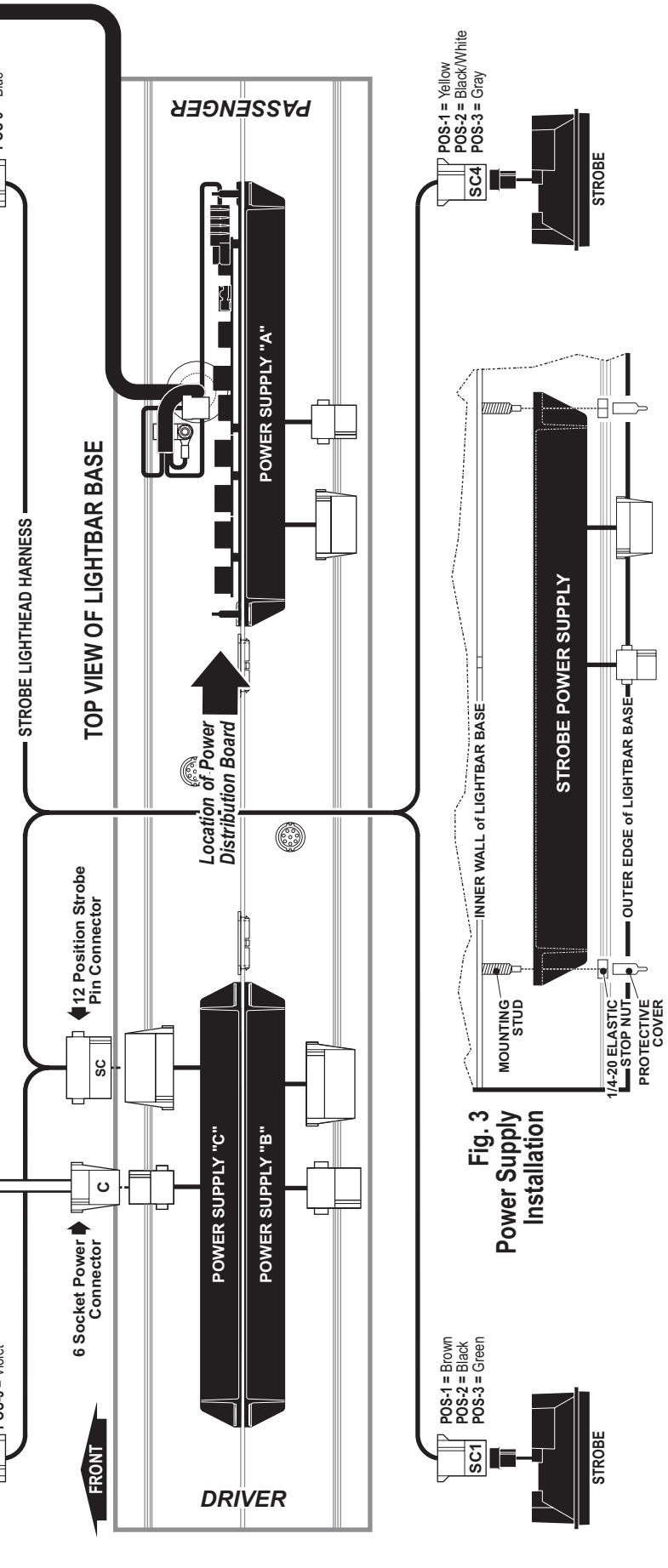
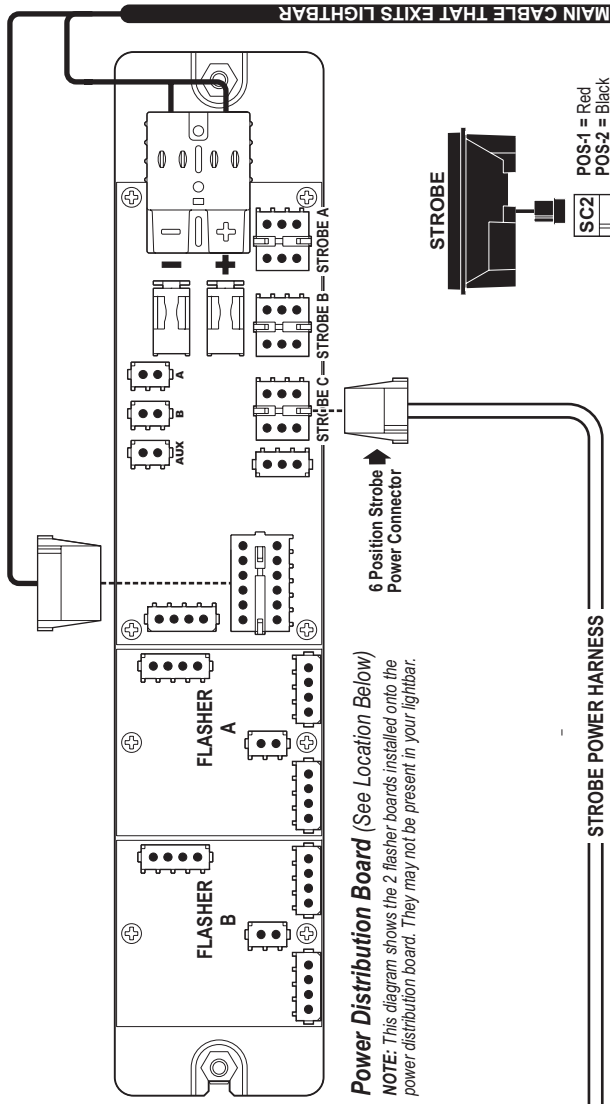
Corner Strobe / End view of lightbar base



## Option Kit: 2 or 4 Strobes

These lighthouse mounting locations are shown for example. The lighthouses can be mounted in any place on the lightbar that you have space. If you are only installing 2 strobe lighthouses, tuck the other 2 Amp connectors somewhere out of the way in the lightbar.

**IMPORTANT NOTE:** The more options you add, the higher the fusing of your power cable should be. When you add any option to your lightbar, you should always consult the power cable fusing chart in the original 9M manual that came with your lightbar.



**Fig. 3**  
**Power Supply Installation**