

WHELEN[®]

ENGINEERING COMPANY INC.

51 Winthrop Road
Chester, Connecticut 06412-0684
Phone: (860) 526-9504
Fax: (860) 526-4078
Internet: www.whelen.com
Sales e-mail: autosale@whelen.com
Canadian Sales e-mail: autocan@whelen.com
Customer Service e-mail: custserv@whelen.com

Installation Guide: Edge[®] Ultra Lightbar Kit: Add 2 or 4 Strobe Lightheads and Power Supply

Safety First

This document provides all the necessary information to allow your Whelen product to be properly and safely installed. Before beginning the installation and/or operation of your new product, the installation technician and operator must read this manual completely. Important information is contained herein that could prevent serious injury or damage.

- Proper installation of this product requires the installer to have a good understanding of automotive electronics, systems and procedures.
- If mounting this product requires drilling holes, the installer **MUST** be sure that no vehicle components or other vital parts could be damaged by the drilling process. Check both sides of the mounting surface before drilling begins. Also de-burr any holes and remove any metal shards or remnants. Install grommets into all wire passage holes.
- If this manual states that this product may be mounted with suction cups, magnets, tape or Velcro[®], clean the mounting surface with a 50/50 mix of isopropyl alcohol and water and dry thoroughly.
- Do not install this product or route any wires in the deployment area of your air bag. Equipment mounted or located in the air bag deployment area will damage or reduce the effectiveness of the air bag, or become a projectile that could cause serious personal injury or death. Refer to your vehicle owner's manual for the air bag deployment area. The User/Installer assumes full responsibility to determine proper mounting location, based on providing ultimate safety to all passengers inside the vehicle.
- For this product to operate at optimum efficiency, a good electrical connection to chassis ground must be made. The recommended procedure requires the product ground wire to be connected directly to the **NEGATIVE (-)** battery post.
- If this product uses a remote device to activate or control this product, make sure that this control is located in an area that allows both the vehicle and the control to be operated safely in any driving condition.
- Do not attempt to activate or control this device in a hazardous driving situation.
- This product contains either strobe light(s), halogen light(s), high-intensity LEDs or a combination of these lights. Do not stare directly into these lights. Momentary blindness and/or eye damage could result.
- Use only soap and water to clean the outer lens. Use of other chemicals could result in premature lens cracking (crazing) and discoloration. Lenses in this condition have significantly reduced effectiveness and should be replaced immediately. Inspect and operate this product regularly to confirm its proper operation and mounting condition. Do not use a pressure washer to clean this product.
- It is recommended that these instructions be stored in a safe place and referred to when performing maintenance and/or reinstallation of this product.
- **FAILURE TO FOLLOW THESE SAFETY PRECAUTIONS AND INSTRUCTIONS COULD RESULT IN DAMAGE TO THE PRODUCT OR VEHICLE AND/OR SERIOUS INJURY TO YOU AND YOUR PASSENGERS!**

For warranty information regarding this product, visit www.whelen.com/warranty

Strobe Lights: Installation & Wiring

IMPORTANT! The lightbar should be located a minimum of 16" from any radio antennas!

WARNING! The strobe light power supply is a high voltage device. Do not remove the strobe tubes or dismantle the strobe lighthoods in the system while the unit is in operation. Wait 10 minutes after turning off power Before starting any work or trouble shooting on the system.

1. Remove the endcaps (see below) If your lightbar is equipped with alley lights, unplug them before fully removing the endcap. Remove any lenses, lighthoods or filler panels necessary to access the power supply mounting area on the rear passenger side of the lightbar inner wall. (See Figs 1, 1A & 2)
1. Install your strobe power supply into port "C". Secure the power supply to the 2 mounting studs on the inner wall with the 2 elastic stop nuts supplied, then put the

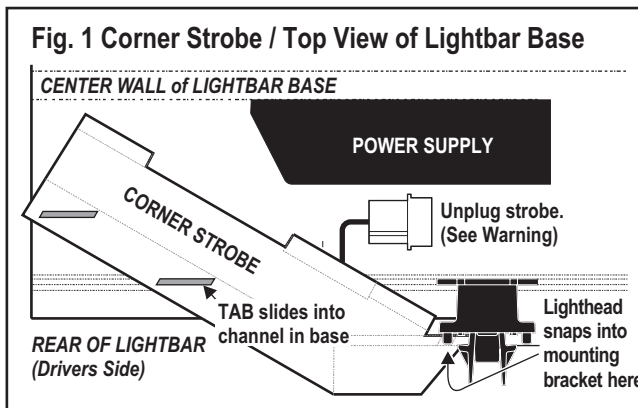
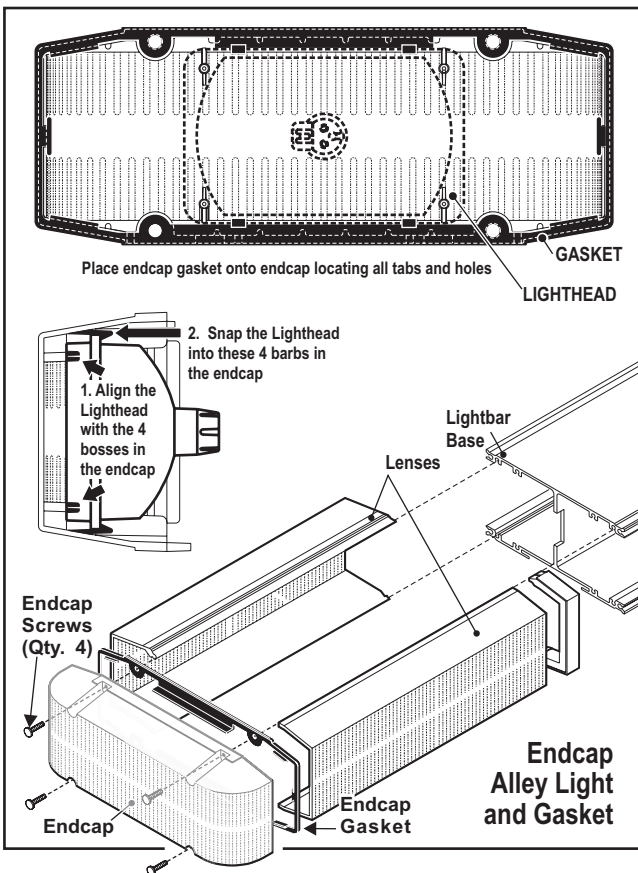
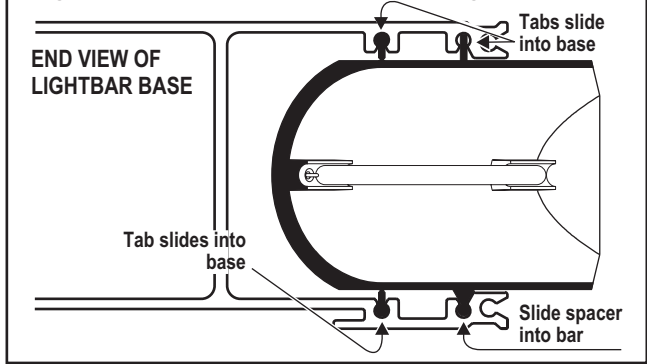
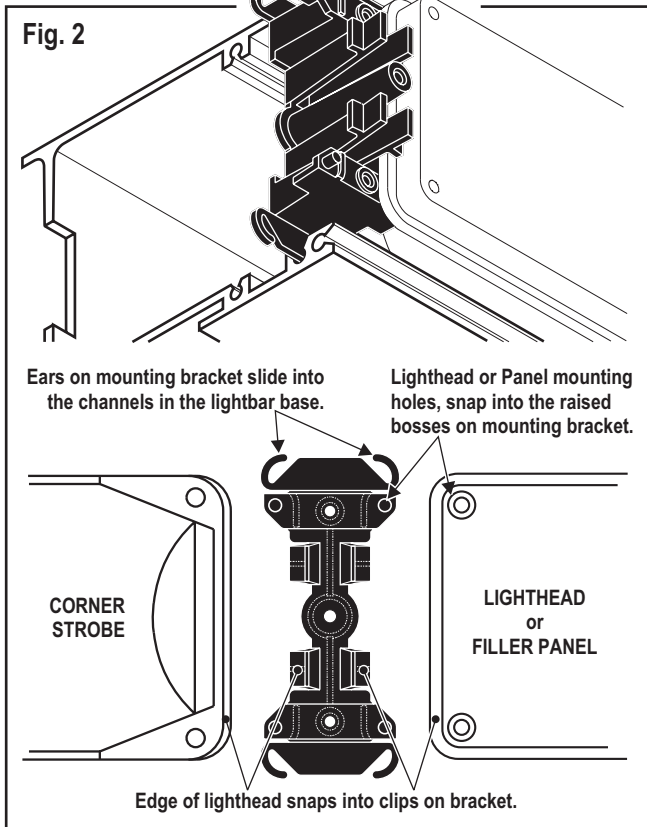


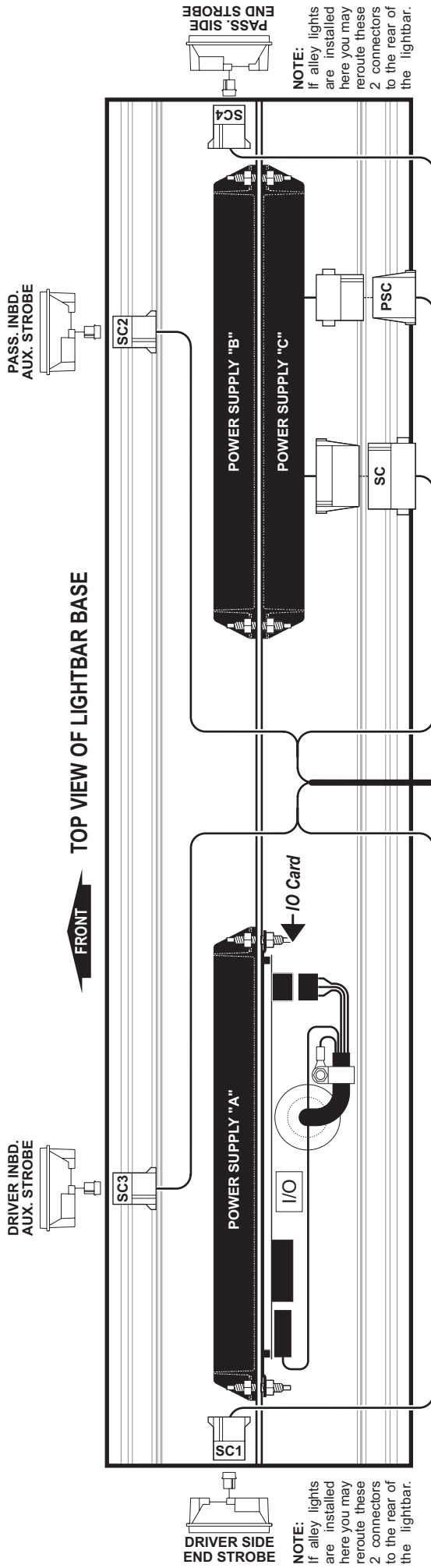
Fig. 1a Corner Strobe / end view of lightbar base



protective rubber covers over the studs. If there is no power supply mounted on the opposite side, you must install 2 stop nuts there (Fig. 3).

2. Plug the 8 position socket connector (IPC) coming from the main harness into port "C" on the IO board.
3. Find the 12 position pin connector (SC) and the 8 position socket connector (PSC) coming from the main harness and plug them into the power supply as shown.
4. Plug the 4 lighthoods into their 3 position Amp connectors as you install them into their positions in the lightbar along with the existing options you removed. If you have a 2 strobe kit, use only 2 of the 4 Amp connectors (either SC1 & SC4 or SC2 & SC3). If you are doing a 4 strobe upgrade and you already have alley lights, you can reroute the 2 end strobe connectors to any spot in the rear of the bar that you have space. To reinstall the lighthoods and lenses in proper order, refer to the switch operations sheet included with the lightbar.
5. Plug in the alley lights (if present) and replace the endcaps. Installation is now complete.





NOTE: If alley lights are installed here you may reroute these 2 connectors to the rear of the lightbar.

NOTE: If alley lights are installed here you may reroute these 2 connectors to the rear of the lightbar.

Plug input "SC" and PSC from main harness into POWER SUPPLY here.

NOTE: The IO card from both the LC and SC Series lightbars are the same.

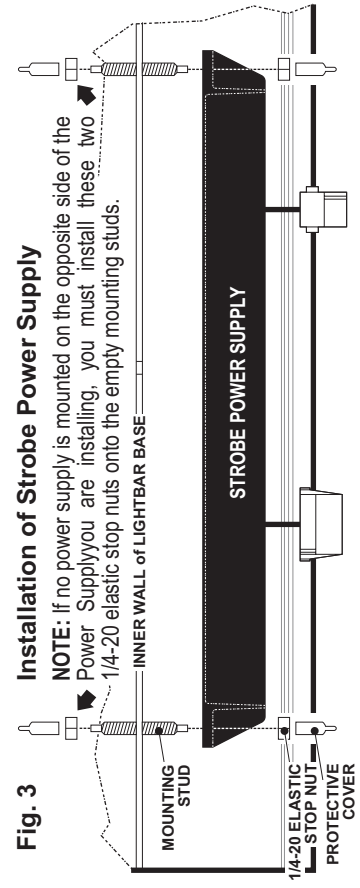
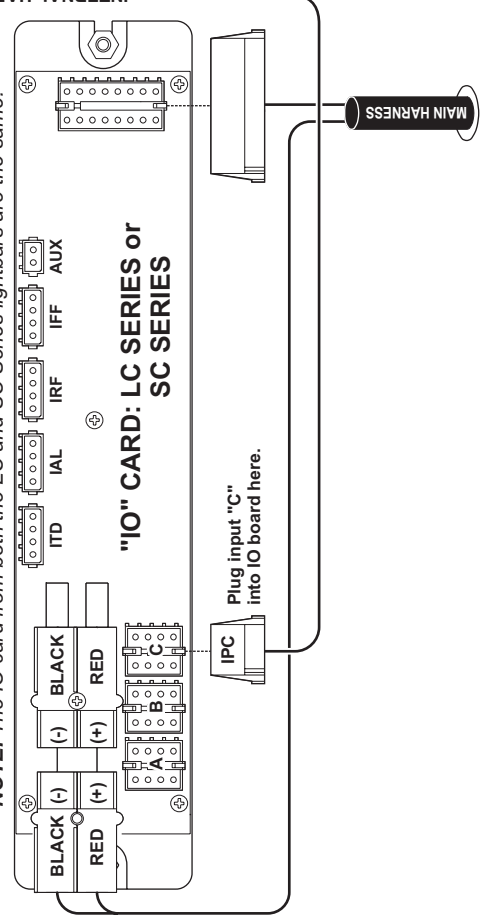


Fig. 3