

WHELEN[®]

ENGINEERING COMPANY INC.

51 Winthrop Road
Chester, Connecticut 06412-0684
Phone: (860) 526-9504
Fax: (860) 526-4078
Internet: www.whelen.com
Sales e-mail: autosale@whelen.com
Canadian Sales e-mail: autocan@whelen.com
Customer Service e-mail: custserv@whelen.com

Installation Guide: Edge[®] Ultra Lightbar Kit: Add LED or Halogen Traffic Advisor[™]

Safety First

This document provides all the necessary information to allow your Whelen product to be properly and safely installed. Before beginning the installation and/or operation of your new product, the installation technician and operator must read this manual completely. Important information is contained herein that could prevent serious injury or damage.

- Proper installation of this product requires the installer to have a good understanding of automotive electronics, systems and procedures.
- If mounting this product requires drilling holes, the installer **MUST** be sure that no vehicle components or other vital parts could be damaged by the drilling process. Check both sides of the mounting surface before drilling begins. Also de-burr any holes and remove any metal shards or remnants. Install grommets into all wire passage holes.
- If this manual states that this product may be mounted with suction cups, magnets, tape or Velcro[®], clean the mounting surface with a 50/50 mix of isopropyl alcohol and water and dry thoroughly.
- Do not install this product or route any wires in the deployment area of your air bag. Equipment mounted or located in the air bag deployment area will damage or reduce the effectiveness of the air bag, or become a projectile that could cause serious personal injury or death. Refer to your vehicle owner's manual for the air bag deployment area. The User/Installer assumes full responsibility to determine proper mounting location, based on providing ultimate safety to all passengers inside the vehicle.
- For this product to operate at optimum efficiency, a good electrical connection to chassis ground must be made. The recommended procedure requires the product ground wire to be connected directly to the **NEGATIVE (-)** battery post.
- If this product uses a remote device to activate or control this product, make sure that this control is located in an area that allows both the vehicle and the control to be operated safely in any driving condition.
- Do not attempt to activate or control this device in a hazardous driving situation.
- This product contains either strobe light(s), halogen light(s), high-intensity LEDs or a combination of these lights. Do not stare directly into these lights. Momentary blindness and/or eye damage could result.
- Use only soap and water to clean the outer lens. Use of other chemicals could result in premature lens cracking (crazing) and discoloration. Lenses in this condition have significantly reduced effectiveness and should be replaced immediately. Inspect and operate this product regularly to confirm its proper operation and mounting condition. Do not use a pressure washer to clean this product.
- It is recommended that these instructions be stored in a safe place and referred to when performing maintenance and/or reinstallation of this product.
- **FAILURE TO FOLLOW THESE SAFETY PRECAUTIONS AND INSTRUCTIONS COULD RESULT IN DAMAGE TO THE PRODUCT OR VEHICLE AND/OR SERIOUS INJURY TO YOU AND YOUR PASSENGERS!**

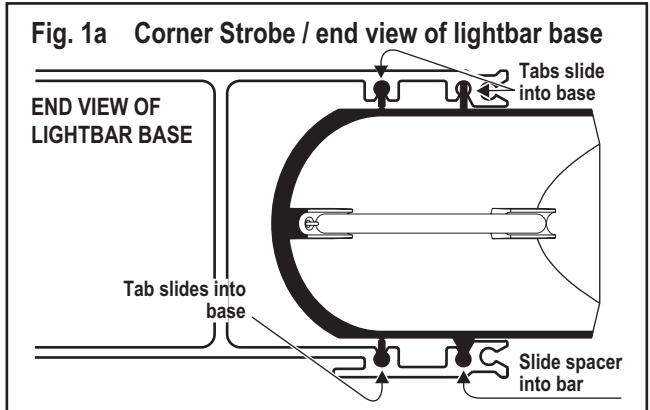
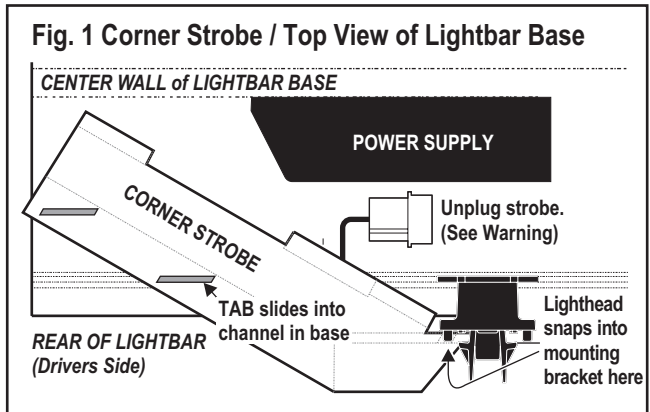
For warranty information regarding this product, visit www.whelen.com/warranty

IMPORTANT! The lightbar should be located a minimum of 16" from any radio antennas!

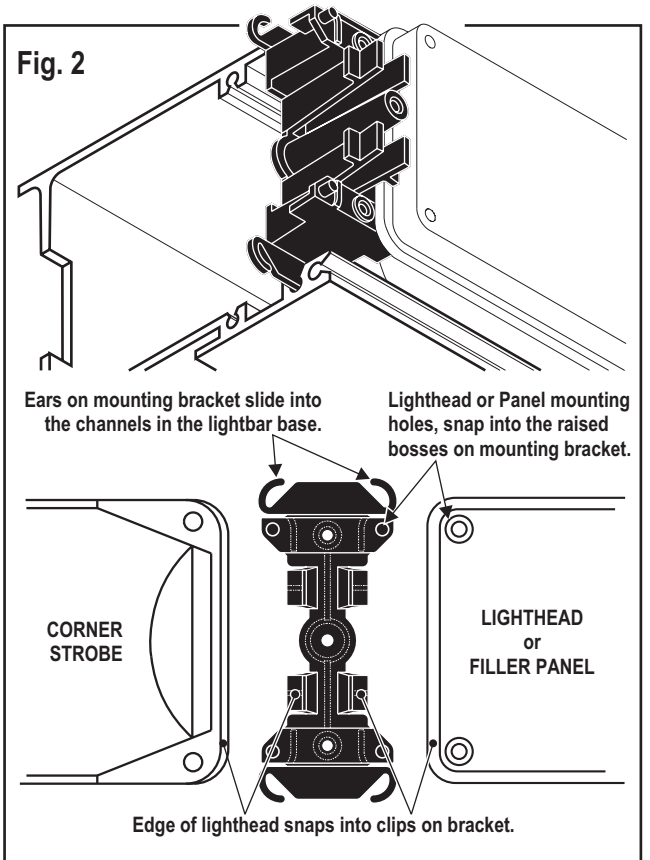
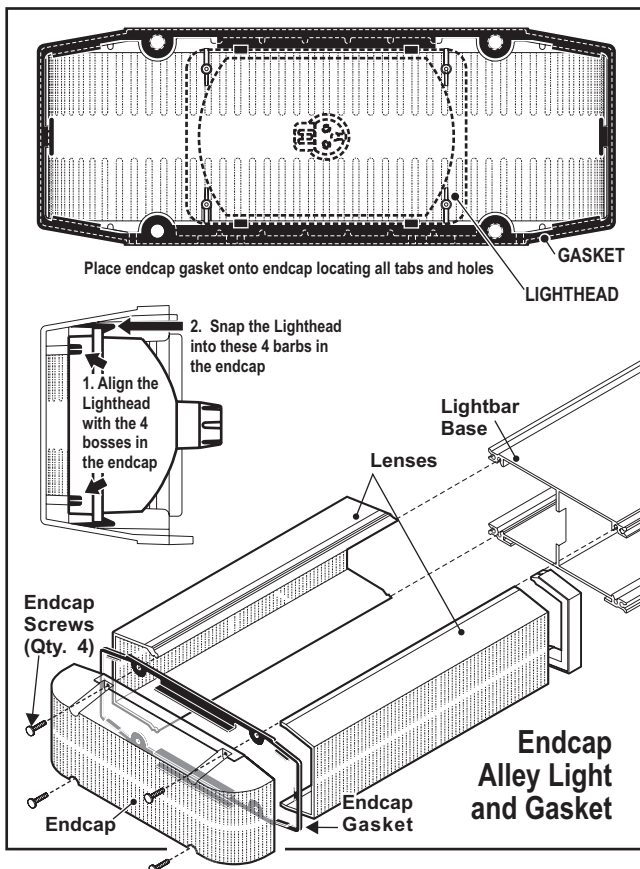
Traffic Advisor™ Installation & Wiring:

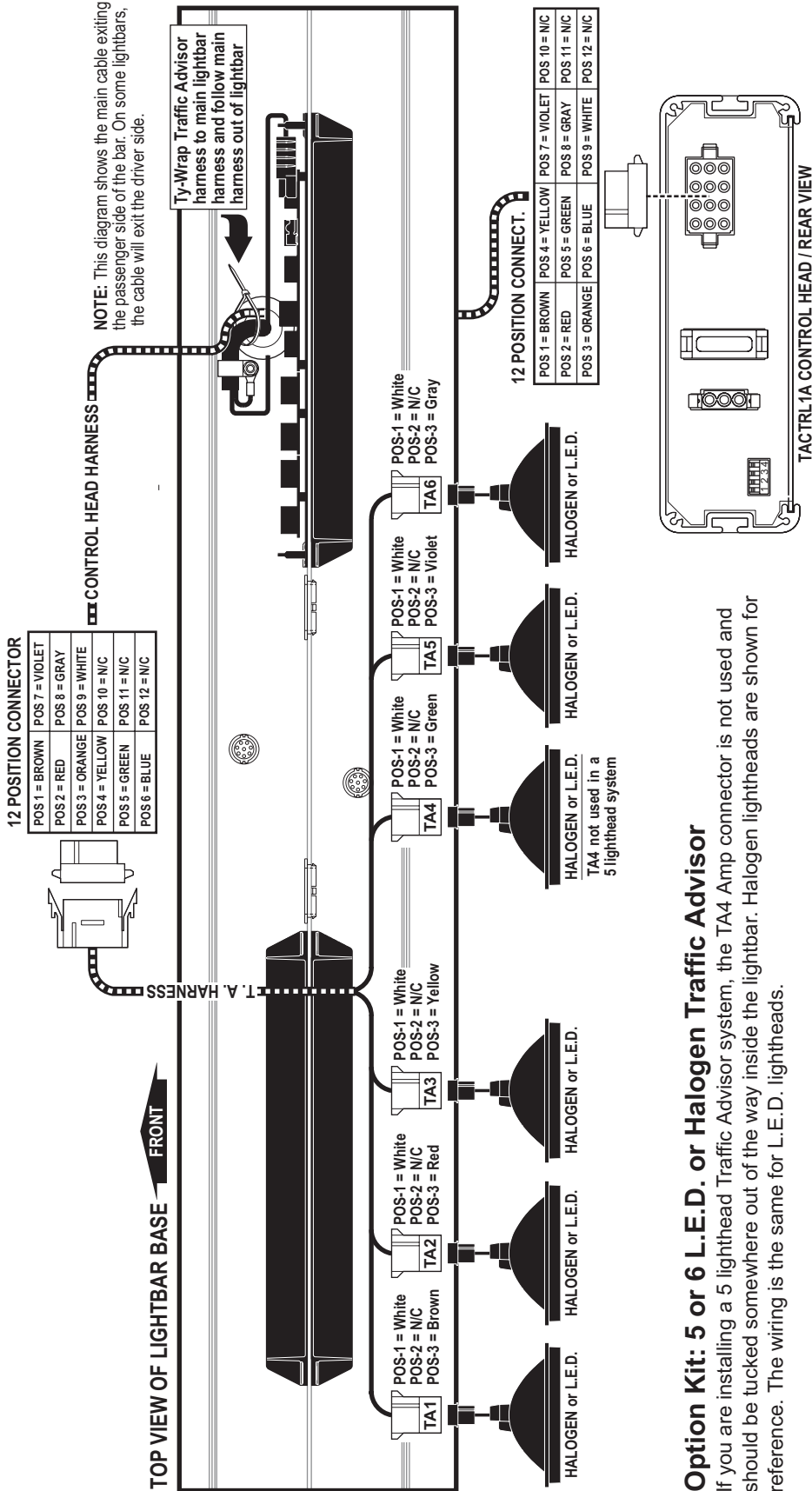
WARNING! The strobe light power supply is a high voltage device. Do not remove the strobe tubes or dismantle the strobe lightheads in the system while the unit is in operation. Wait 10 minutes after turning off power Before starting any work on the system.

1. Remove the endcaps. If your lightbar is equipped with alley lights you must unplug them before fully removing the endcap (see below).
2. Remove any lenses, lightheads or filler panels necessary (Figs. 1, 1a & 2) then route the T.A. harness into position inside the lightbar so the 6 Amp connectors are positioned about where the lightheads will be.
3. Pin a 12 position connector onto one end of the control head harness and plug it into the 12 position socket housing of the T.A. harness.
4. Run the other end of the control head harness out of the main harness exit hole, ty-wrapping it to the main harness.
5. Pin the other end of the control head harness on to the other 12 position connector and plug it into the control head.
6. Plug the six Amp connectors of the traffic advisor harness into the 6 lightheads as you install the lightheads into the lightbar base.
7. Reinstall the existing options you removed. To reinstall the lightheads and lenses in proper order, you may refer to the switch operations sheet included.



8. Plug in the alley lights (if present) and replace the endcaps. Installation is now complete. Refer to the control head manual for operation.





Option Kit: 5 or 6 L.E.D. or Halogen Traffic Advisor

If you are installing a 5 lighthead Traffic Advisor system, the TA4 Amp connector is not used and should be tucked somewhere out of the way inside the lightbar. Halogen lightheads are shown for reference. The wiring is the same for L.E.D. lightheads.