

WHELEN[®]

ENGINEERING COMPANY INC.

51 Winthrop Road
 Chester, Connecticut 06412-0684
 Phone: (860) 526-9504
 Fax: (860) 526-4078
 Internet: www.whelen.com
 Sales e-mail: autosale@whelen.com
 Canadian Sales e-mail: autocan@whelen.com
 Customer Service e-mail: custserv@whelen.com

Installation Guide: SA314 Siren Speaker 2002-05 Ford Taurus Wagon

DANGER! Sirens produces extremely loud emergency warning tones! Exposure to these tones without proper and adequate hearing protection, could cause ear damage and/or hearing loss! The Occupational Safety & Health Administration (www.osha.gov) provides information necessary to determine safe exposure times in Occupational Noise Exposure Section 1910.95. Until you have determined the safe exposure times for your specific application, operators and anyone else in the immediate vicinity should be required to wear an approved hearing protection device. **FAILURE TO FOLLOW THIS RECOMMENDATION COULD CAUSE HEARING LOSS!**

Safety First

This document provides all the necessary information to allow your Whelen product to be properly and safely installed. Before beginning the installation and/or operation of your new product, the installation technician and operator must read this manual completely. Important information is contained herein that could prevent serious injury or damage.

- Proper installation of this product requires the installer to have a good understanding of automotive electronics, systems and procedures.
- If mounting this product requires drilling holes, the installer **MUST** be sure that no vehicle components or other vital parts could be damaged by the drilling process. Check both sides of the mounting surface before drilling begins. Also de-burr any holes and remove any metal shards or remnants. Install grommets into all wire passage holes.
- If this manual states that this product may be mounted with suction cups, magnets, tape or Velcro™, clean the mounting surface with a 50/50 mix of isopropyl alcohol and water and dry thoroughly.
- Do not install this product or route any wires in the deployment area of your air bag. Equipment mounted or located in the air bag deployment area will damage or reduce the effectiveness of the air bag, or become a projectile that could cause serious personal injury or death. Refer to your vehicle owners manual for the air bag deployment area. The User/Installer assumes full responsibility to determine proper mounting location, based on providing ultimate safety to all passengers inside the vehicle.
- For this product to operate at optimum efficiency, a good electrical connection to chassis ground must be made. The recommended procedure requires the product ground wire to be connected directly to the **NEGATIVE (-)** battery post.
- If this product uses a remote device to activate or control this product, make sure this control is located in an area that allows both the vehicle and the control to be operated safely in any driving condition. **DO NOT ATTEMPT TO ACTIVATE OR CONTROL THIS DEVICE IN A HAZARDOUS DRIVING SITUATION.**
- It is recommended that these instructions be stored in a safe place and referred to when performing maintenance and/or reinstallation of this product.
- **FAILURE TO FOLLOW THESE SAFETY PRECAUTIONS AND INSTRUCTIONS COULD RESULT IN DAMAGE TO THE PRODUCT OR VEHICLE AND/OR SERIOUS INJURY TO YOU AND YOUR PASSENGERS!**

**ACTIVATION OF THIS
 SIREN MAY DAMAGE
 UNPROTECTED EARS!**



**Wear
 Protection!**

CAUTION

Loud siren noise can cause hearing damage and/or loss. Refer to OSHA Section 1910.95 prior to putting ANY siren into service!

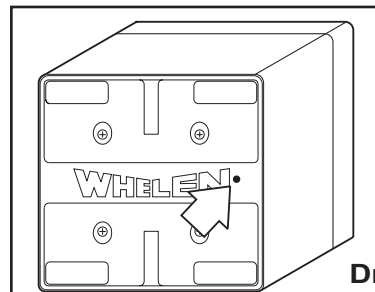
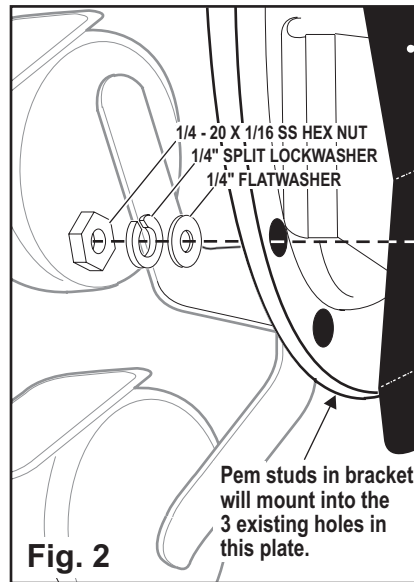
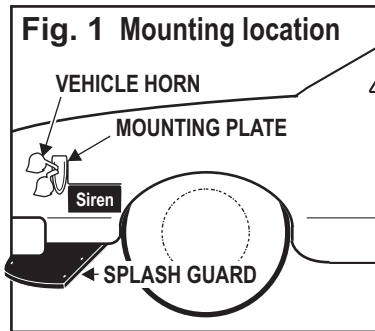
For warranty information regarding this product, visit www.whelen.com/warranty

Installation: 2002 Taurus

This siren will be mounted onto the vehicle horn's mounting plate near the drivers side front tire. The vehicle horn's mounting holes will be used to mount the SA314 siren speaker (Fig. 1).

WARNING! Loud siren noise can cause hearing loss. Minimize exposure. Close windows when using.

1. Since the siren will be mounted upside down, its drain hole is now on top. This requires another drain hole to be drilled into the siren before mounting (See "Drilling the drain hole").
2. Mount siren onto the bracket using the supplied mounting hardware. Install a spacer nut onto each of the bracket's Pem Studs (Fig. 2).
3. Remove the large (full vehicle width) plastic splash guard mounted to the front, underside of the vehicle (Fig. 1). This allows access to the vehicle horn.



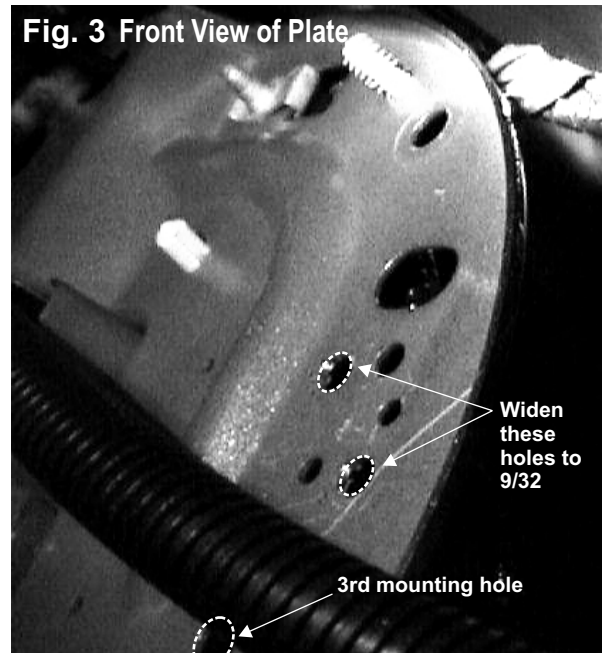
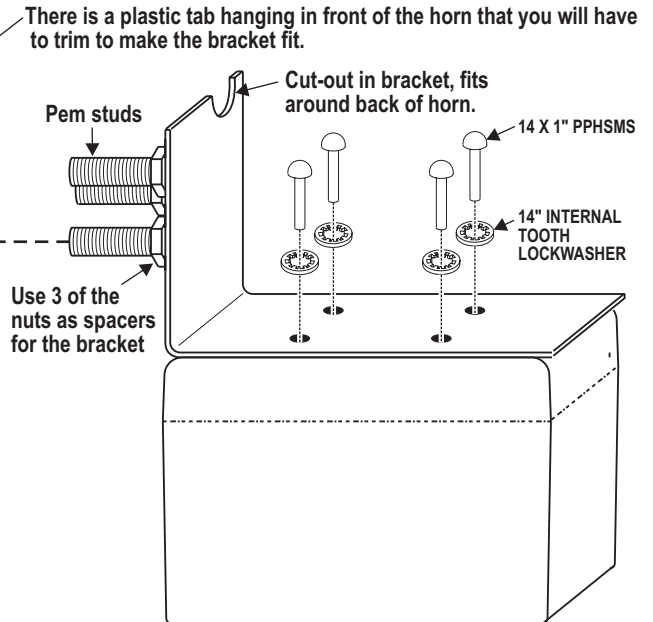
Drilling the Drain Hole:

Drill a small drainage hole using a 1/8" (.125) drill bit. There is a second wall behind the outer surface that you must not drill through. Use a drill stop set to a 1/4 inch depth. This will insure that you only drill through the outer surface and not ruin any internal parts.

4. Remove the vehicle horn from its mounting plate. Align the mounting bracket studs with the holes in the mounting plate as shown in Fig. 2. Use the hardware provided to secure the mounting bracket to the mounting plate. Lack of accessibility requires re-mounting the vehicle horn and the new mounting bracket at the same time.

Note: You may have to bend the horn bracket slightly out of the way to make room for the siren. There is also a 3 inch wide plastic tab hanging down where the siren will sit, that you will have to trim to fit the siren.

5. Route the siren wires along the path of the horn wires and extend the white (positive) and black (negative) siren wires to your siren amplifier. Connect the speaker wires as shown in the amplifier's instructions.



Installation: 2005 Taurus:

The 2005 Taurus is the same procedure except you will have to enlarge two of the mounting holes.

1. Since the siren will be mounted upside down, its drain hole is now on top. This requires another drain hole to be drilled into the siren before mounting (See "Drilling the drain hole").
2. Remove the vehicle horn and enlarge the 2 indicated mounting holes with a drill, using a 9/32 drill bit (Fig. 4).
3. Mount the siren onto the bracket using the supplied mounting hardware. Screw the 3 supplied nuts onto the pem studs to act as spacers. (Fig. 2).
4. Install the bracket (with siren) to the vehicle while at the same time remounting the horn using the supplied mounting hardware.
5. Route the siren wires along the path of the horn wires and extend the white (positive) and black (negative) siren wires to your siren amplifier. Connect the speaker wires as shown in the amplifier's instructions.