

WHELEN[®]

ENGINEERING COMPANY INC.

51 Winthrop Road
Chester, Connecticut 06412-0684
Phone: (860) 526-9504
Fax: (860) 526-4078
Internet: www.whelen.com
Sales e-mail: autosale@whelen.com
Canadian Sales e-mail: autocan@whelen.com
Customer Service e-mail: custserv@whelen.com

Installation Guide: LFL Lightbar Kit Model LKL** (add 2 LED Lighthoods)

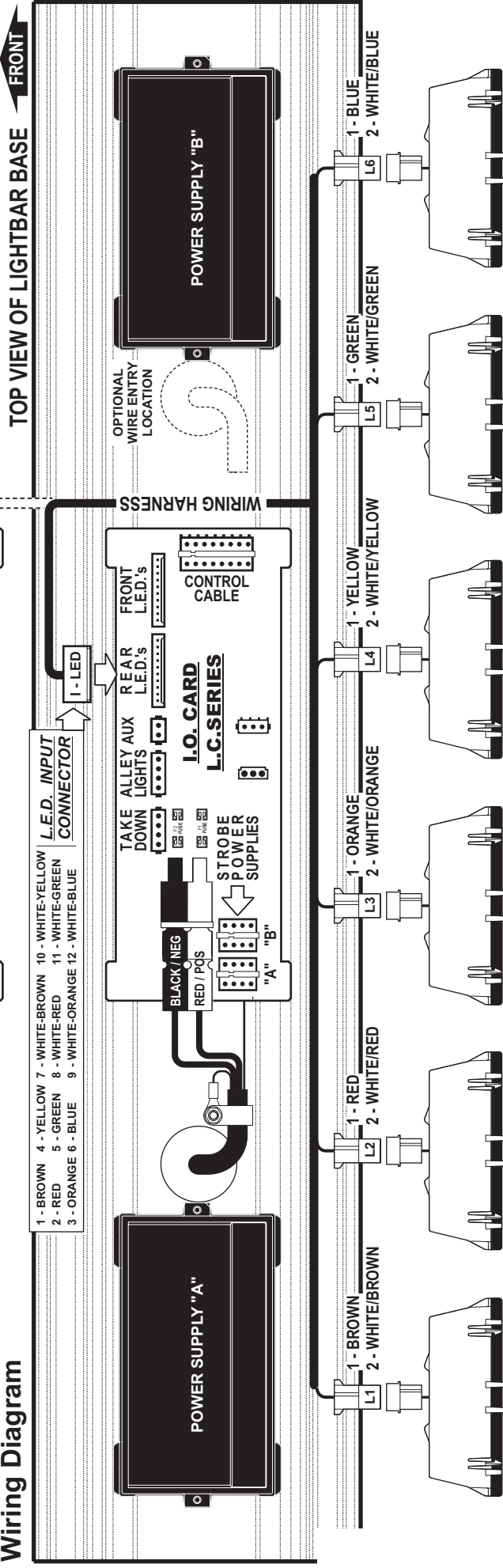
Safety First

This document provides all the necessary information to allow your Whelen product to be properly and safely installed. Before beginning the installation and/or operation of your new product, the installation technician and operator must read this manual completely. Important information is contained herein that could prevent serious injury or damage.

- Proper installation of this product requires the installer to have a good understanding of automotive electronics, systems and procedures.
- If mounting this product requires drilling holes, the installer **MUST** be sure that no vehicle components or other vital parts could be damaged by the drilling process. Check both sides of the mounting surface before drilling begins. Also de-burr any holes and remove any metal shards or remnants. Install grommets into all wire passage holes.
- If this manual states that this product may be mounted with suction cups, magnets, tape or Velcro®, clean the mounting surface with a 50/50 mix of isopropyl alcohol and water and dry thoroughly.
- Do not install this product or route any wires in the deployment area of your air bag. Equipment mounted or located in the air bag deployment area will damage or reduce the effectiveness of the air bag, or become a projectile that could cause serious personal injury or death. Refer to your vehicle owner's manual for the air bag deployment area. The User/Installer assumes full responsibility to determine proper mounting location, based on providing ultimate safety to all passengers inside the vehicle.
- For this product to operate at optimum efficiency, a good electrical connection to chassis ground must be made. The recommended procedure requires the product ground wire to be connected directly to the **NEGATIVE (-)** battery post.
- If this product uses a remote device to activate or control this product, make sure that this control is located in an area that allows both the vehicle and the control to be operated safely in any driving condition.
- Do not attempt to activate or control this device in a hazardous driving situation.
- This product contains either strobe light(s), halogen light(s), high-intensity LEDs or a combination of these lights. Do not stare directly into these lights. Momentary blindness and/or eye damage could result.
- Use only soap and water to clean the outer lens. Use of other chemicals could result in premature lens cracking (crazing) and discoloration. Lenses in this condition have significantly reduced effectiveness and should be replaced immediately. Inspect and operate this product regularly to confirm its proper operation and mounting condition. Do not use a pressure washer to clean this product.
- It is recommended that these instructions be stored in a safe place and referred to when performing maintenance and/or reinstallation of this product.
- **FAILURE TO FOLLOW THESE SAFETY PRECAUTIONS AND INSTRUCTIONS COULD RESULT IN DAMAGE TO THE PRODUCT OR VEHICLE AND/OR SERIOUS INJURY TO YOU AND YOUR PASSENGERS!**

For warranty information regarding this product, visit www.whelen.com/warranty

Wiring Diagram



Plugs into same port as L.C. Series

2 L.E.D. Lighthoods: Installation

WARNING! The strobe light power supply is a high voltage device. Do not remove the strobe tubes or dismantle the strobe lighthoods in the system while the unit is in operation. Wait 10 minutes after turning off power before starting work on the system.

Follow the Edge LFL lightbar: assembly / disassembly page for Figs. 1 through 5.

1. Disconnect the unit from power (Fig. 2). Remove the 4 endcap screws, endcap and gasket from the extrusion. If alley lights are present, they must also be unplugged.
2. Slide the 4 corner strobes out of the base without unplugging them then remove the top of the base extrusion by removing the 4 top extrusion screws (Fig. 5) and then lifting off the top extrusion.
3. Plug the L.E.D. input of the internal harness supplied with your kit into the "REAR L.E.D." input of the I.O. card as shown in the wiring diagram.

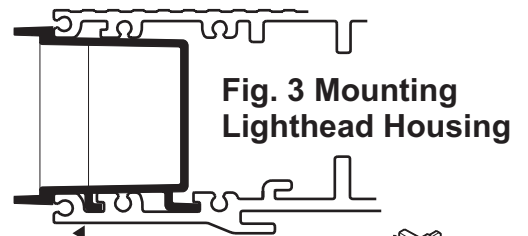
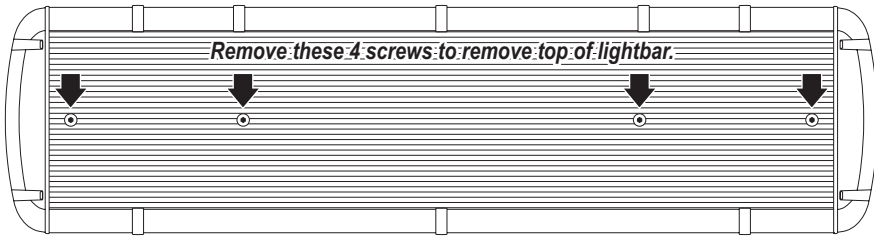
4. The next step depends on what already exists in your lightbar. Run 2 of the wires with the six 2 position lighthouse Amp connectors, out to whichever empty lighthouse housings you wish to add lighthoods to.

Note: The wiring harness routes as shown. Since there is no way of determining what now exists in your particular lightbar, this diagram shows you which lighthouse locations this harness powers. As long as they aren't occupied, you may install the new lighthoods in any of the positions shown. Any unused connectors in the harness should be tucked securely out of the way inside the bar.

5. Install the lighthoods into the lighthouse housings (Fig. 4). Make sure that the lighthoods connectors are routed through the wire exit holes located in the housing. Plug these connectors into the TA harness.

EDGE LFL LIGHTBAR: ASSEMBLY / DISASSEMBLY

Fig. 1 Removing top extrusion of Lightbar



Insert the tabs on the lighthouse housing, into the channels in the lightbar base.



Fig. 2 Endcap & Lighthouse Installation

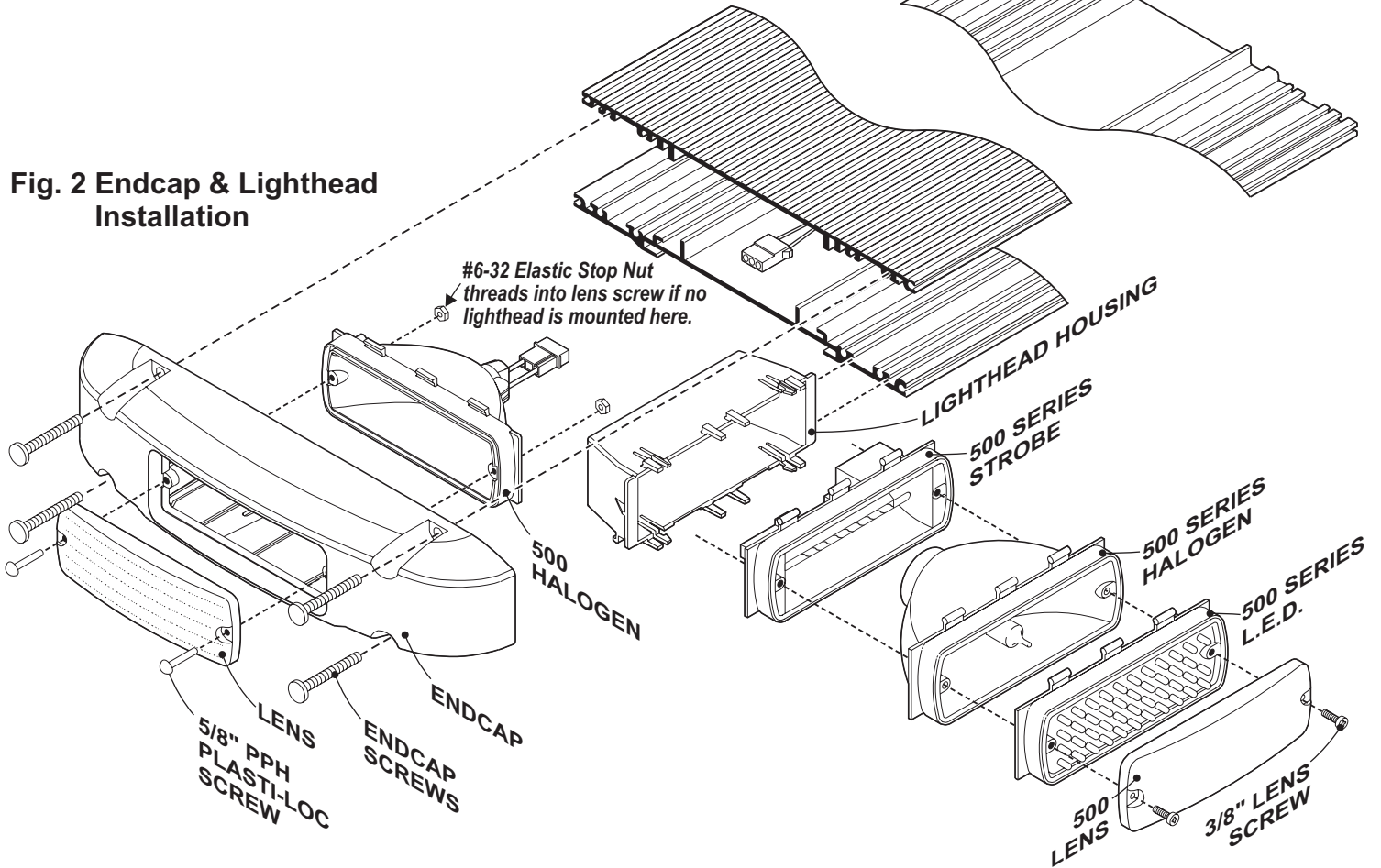
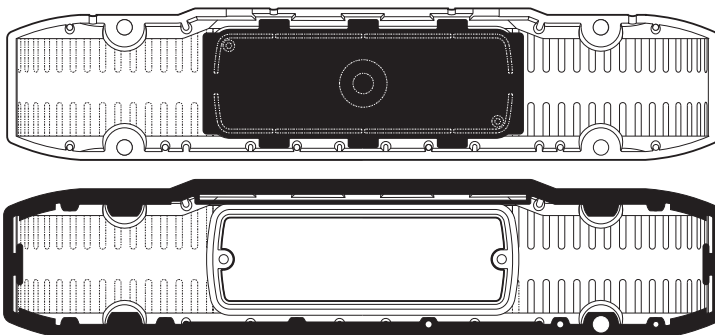


Fig. 5 Endcap: Lighthouse and Gasket Installation

Insert the tabs on the lighthouse, into the channels in the endcap.



Place the endcap gasket on the endcap matching up all the tabs and ho

Fig. 4 Lighthouse Housing

