

WHELEN[®]

ENGINEERING COMPANY INC.

51 Winthrop Road
Chester, Connecticut 06412-0684
Phone: (860) 526-9504
Fax: (860) 526-4078
Internet: www.whelen.com
Sales e-mail: autosale@whelen.com
Canadian Sales e-mail: autocan@whelen.com
Customer Service e-mail: custserv@whelen.com

Installation Guide: LFL Lightbar Kit Model(s) LK4122, LK4124 (Add 2 or 4 Strobe Lightheads and 1 Strobe Power Supply)

Safety First

This document provides all the necessary information to allow your Whelen product to be properly and safely installed. Before beginning the installation and/or operation of your new product, the installation technician and operator must read this manual completely. Important information is contained herein that could prevent serious injury or damage.

- Proper installation of this product requires the installer to have a good understanding of automotive electronics, systems and procedures.
- If mounting this product requires drilling holes, the installer **MUST** be sure that no vehicle components or other vital parts could be damaged by the drilling process. Check both sides of the mounting surface before drilling begins. Also de-burr any holes and remove any metal shards or remnants. Install grommets into all wire passage holes.
- If this manual states that this product may be mounted with suction cups, magnets, tape or Velcro[®], clean the mounting surface with a 50/50 mix of isopropyl alcohol and water and dry thoroughly.
- Do not install this product or route any wires in the deployment area of your air bag. Equipment mounted or located in the air bag deployment area will damage or reduce the effectiveness of the air bag, or become a projectile that could cause serious personal injury or death. Refer to your vehicle owner's manual for the air bag deployment area. The User/Installer assumes full responsibility to determine proper mounting location, based on providing ultimate safety to all passengers inside the vehicle.
- For this product to operate at optimum efficiency, a good electrical connection to chassis ground must be made. The recommended procedure requires the product ground wire to be connected directly to the **NEGATIVE (-)** battery post.
- If this product uses a remote device to activate or control this product, make sure that this control is located in an area that allows both the vehicle and the control to be operated safely in any driving condition.
- Do not attempt to activate or control this device in a hazardous driving situation.
- This product contains either strobe light(s), halogen light(s), high-intensity LEDs or a combination of these lights. Do not stare directly into these lights. Momentary blindness and/or eye damage could result.
- Use only soap and water to clean the outer lens. Use of other chemicals could result in premature lens cracking (crazing) and discoloration. Lenses in this condition have significantly reduced effectiveness and should be replaced immediately. Inspect and operate this product regularly to confirm its proper operation and mounting condition. Do not use a pressure washer to clean this product.
- It is recommended that these instructions be stored in a safe place and referred to when performing maintenance and/or reinstallation of this product.
- **FAILURE TO FOLLOW THESE SAFETY PRECAUTIONS AND INSTRUCTIONS COULD RESULT IN DAMAGE TO THE PRODUCT OR VEHICLE AND/OR SERIOUS INJURY TO YOU AND YOUR PASSENGERS!**

For warranty information regarding this product, visit www.whelen.com/warranty

IMPORTANT! The lightbar should be located a minimum of 16" from any radio antennas!

Strobe Lightheads: Installation

WARNING! The strobe light power supply is a high voltage device. Do not remove the strobe tubes or dismantle the strobe lights in the system while the unit is in operation. Wait 10 minutes after turning off power before starting work on the system.

1. Disconnect the unit from power and remove the endcaps. Remove the 4 endcap screws, endcap and gasket from both sides of the lightbar base. If you have alley lights, they must be unplugged also (Fig. 1).
2. Slide the 4 corner strobes out of the lightbar (without unplugging them) and set them aside.
3. Slide the lenses and spacers out of the lightbar and place them on your workbench in the order you removed them (for easy reassembly).
4. Remove the top of the base extrusion by removing the 4 screws as shown in figure 2.
5. With the base extrusion exposed (see last page) remove the dummy power supply housing located in the power supply "B" spot. Its function is to secure the top extrusion to the base when there is no power supply present. You will replace it with the new power supply.
6. Install the new power supply as shown (Fig. 5). Slide the power supply into the base of the lightbar. Two of the screws that hold the top extrusion on will secure the power supply to the base when you remount the top of the lightbar (Fig. 6). Make sure that the power supplies connectors are facing out toward the end of the bar as shown.

Note: As shown, your lightbar will have either the old or new version I.O. card. Installation is the same for both.

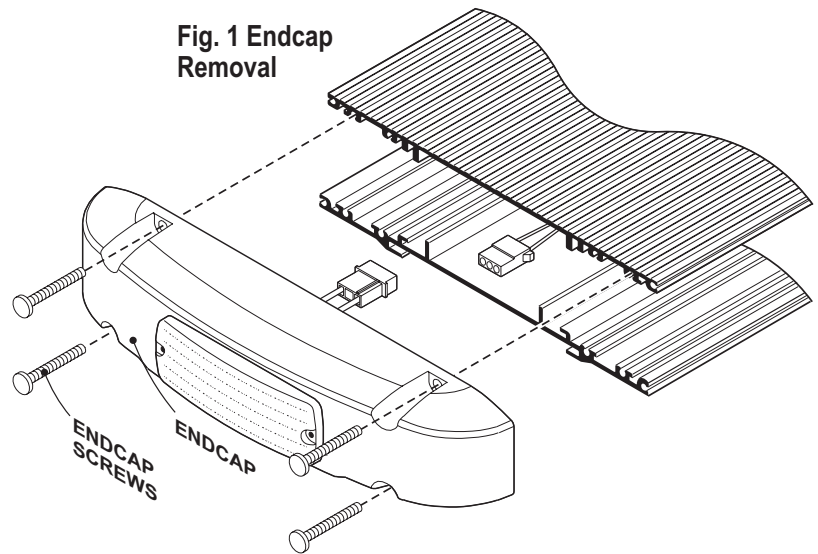


Fig. 1 Endcap Removal

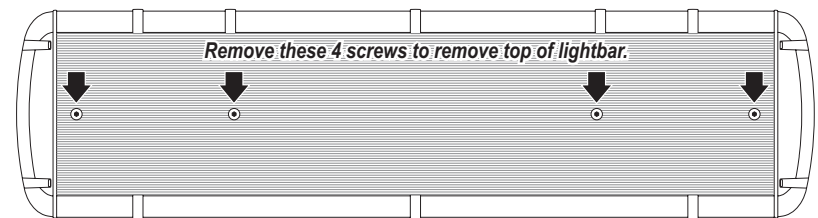


Fig. 2 Removing top extrusion of Lightbar

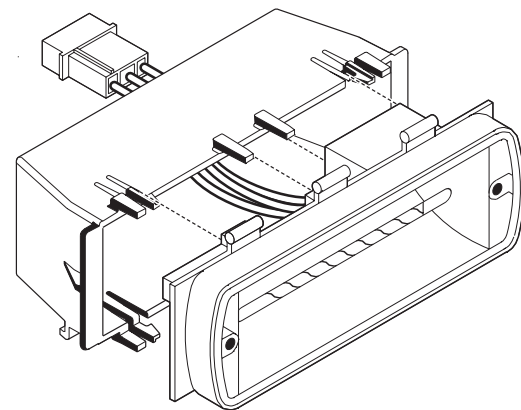


Fig. 3 Installing Lighthead into Housing

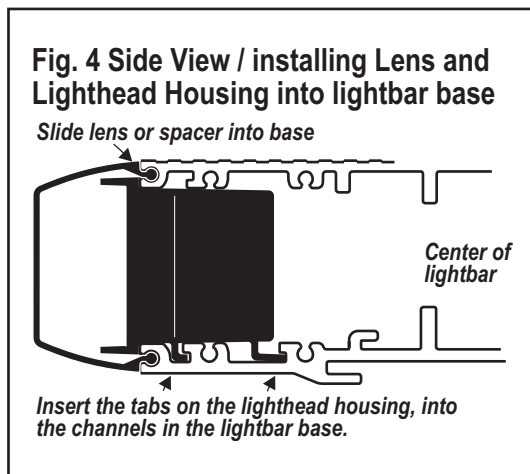


Fig. 4 Side View / installing Lens and Lighthead Housing into lightbar base

1. Plug the power (PSB) and strobe (SB) connectors of the internal harness into the power supply as shown in the wiring diagram.
2. Install the lightheads into the lighthead housings (Fig. 5). Make sure that the lightheads connectors are routed through the wire exit holes located in the housing. Plug these connectors into the internal harness. Installation is complete and you may reassemble the lightbar.
3. First remount the top extrusion. Be sure that the screws line up with the power supply (Fig. 6), then replace the lenses and spacers you removed (Fig. 4).
4. Make sure the endcap gasket is in place (Fig. 7), plug in the alley lights and remount the endcap. Repeat for other side then reconnect to power and test the lightbar.

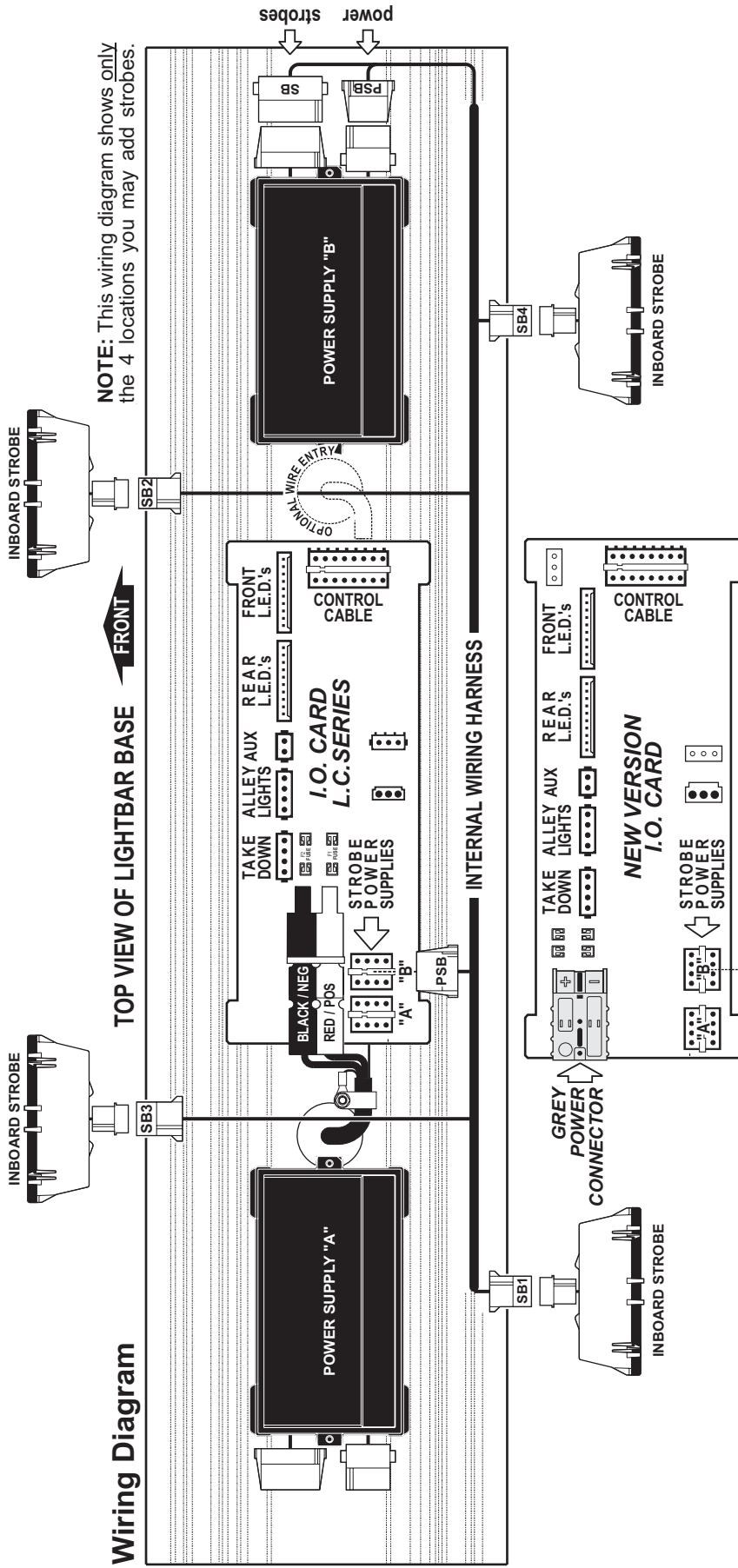


FIG. 5 Mounting the Power Supply

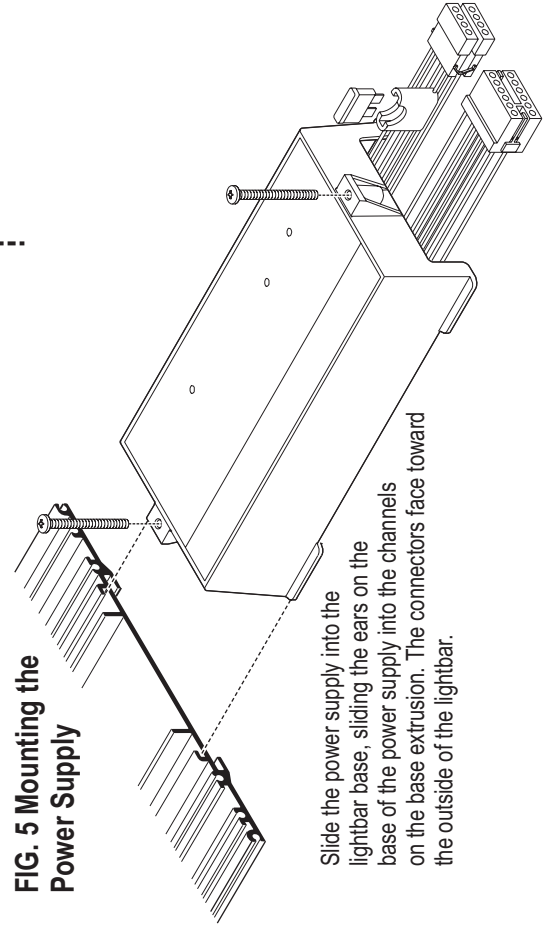


FIG. 6 Remounting the Top of the Lightbar Base

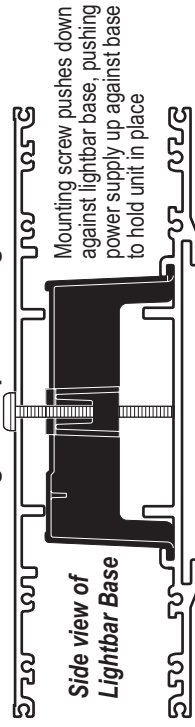


Fig. 7 Endcap: Lighthouse and Gasket

